

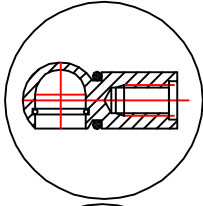


GAYSAN
Gas Springs

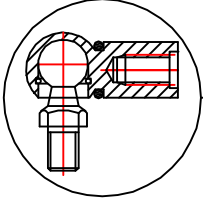
BAĀLANTI KATALOĀU

END FITTINGS CATALOG

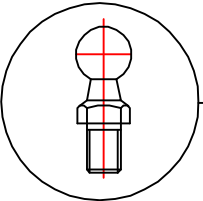
INDEX



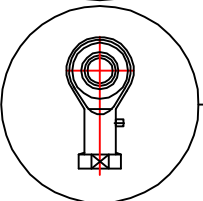
Ball Socket



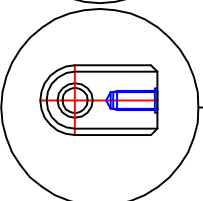
Ball Joint



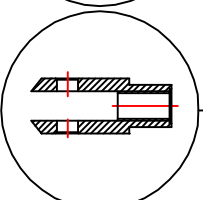
Ball Stud



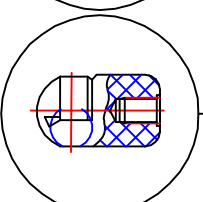
Spherical Plain Bearing



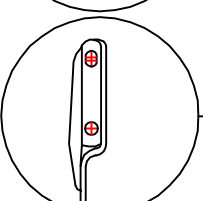
Metal Eye



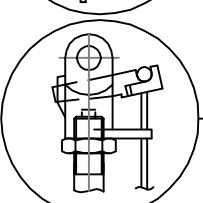
Clevis



Plastic End Fittings

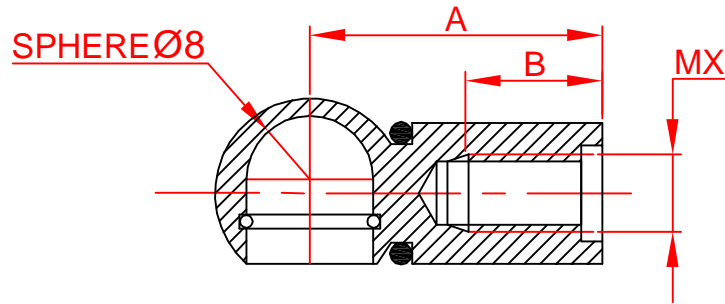


Lift Brackets



Blocklift Brackets

BALL SOCKET WITH CLIP



Ref. No	Dimensions (mm)		
	± 0.3 A	± 0.5 B	MX
D001	17	10	M5x0.8
D002	17	10	M6x1
1119	18	10	M5x0.8
D003	18	10	M6x1
D004	19	10	M5x0.8
D005	19	10	M6x1
D006	20	10	M5x0.8
1165	20	10	M6x1
D007	21	10	M5x0.8
D008	21	10	M6x1
1100	22	10	M5x0.8
1107	22	10	M6x1
1108	17	10	M4x0.7
1109	18	10	M4x0.7
1110	19	10	M4x0.7
1111	20	10	M4x0.7
1112	21	10	M4x0.7
1113	22	10	M4x0.7

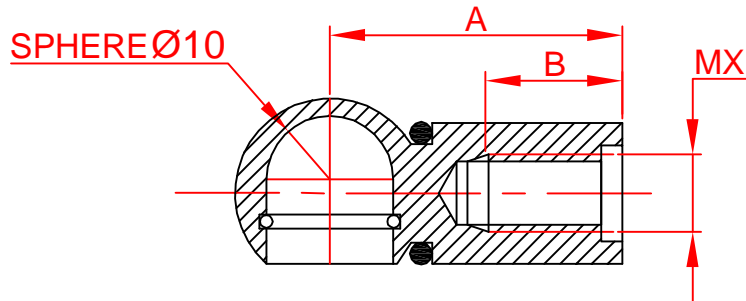
SURFACE PROTECTION: Zinc plated and white, black or yellow passivated. (Standard application)

GAYSAN drawing no ÖR:396

Dimensions in mm / We reserve the right to make modifications.

All rights reserved. Duplication, retransmission and any other use of this drawing is not permitted without the written consent of GAYSAN.

BALL SOCKET WITH CLIP



Ref. No	Dimensions (mm)		
	± 0.3 A	± 0.5 B	MX
D051	17.5	9	M5x0.8
D052	17.5	9	M6x1
D054	18	9.5	M5x0.8
D055	18	9.5	M6x1
1101	18.5	9.5	M8x1.25
D056	19	10	M5x0.8
1102	19	10	M6x1
D057	19	10	M8x1.25
D058	20	10	M5x0.8
D059	20	10	M6x1
D060	20	10	M8x1.25
D061	21	10	M5x0.8
D062	21	11	M6x1

Ref. No	Dimensions (mm)		
	± 0.3 A	± 0.5 B	MX
D063	21	11	M8x1.25
D064	22	11	M5x0.8
1161	22	11	M6x1
D065	22	11	M8x1.25
D066	23	11	M5x0.8
D067	23	11	M6x1
D068	23	11	M8x1.25
D069	24	12	M5x0.8
D070	24	12	M6x1
D071	24	12	M8x1.25
D072	25	12	M5x0.8
1103	25	12	M6x1
1104	25	12	M8x1.25

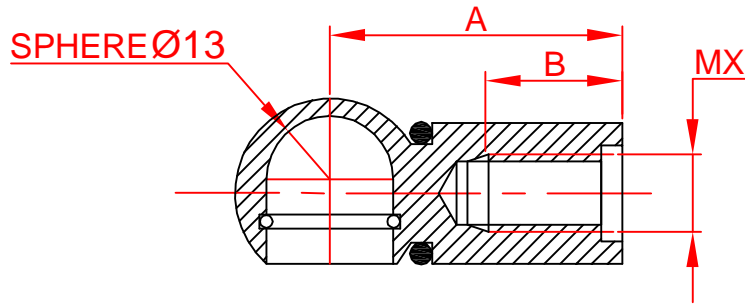
SURFACE PROTECTION: Zinc plated and white, black or yellow passivated. (Standard application)

GAYSAN drawing no ÖR:397

Dimensions in mm / We reserve the right to make modifications.

All rights reserved. Duplication, retransmission and any other use of this drawing is not permitted without the written consent of GAYSAN.

BALL SOCKET WITH CLIP



Ref. No	Dimensions (mm)		
	± 0.3 A	± 0.5 B	MX
D101	20.5	9.5	M6x1
D102	21	10	M6x1
D103	22	10	M6x1
D104	23	12	M6x1
D105	24	12	M6x1
D106	25	12	M6x1
D107	26	14	M6x1
D108	27	14	M6x1
D109	28	14	M6x1
D110	29	14	M6x1
D111	30	14	M6x1

Ref. No	Dimensions (mm)		
	± 0.3 A	± 0.5 B	MX
D112	20.5	9.5	M8x1.25
D113	21	10	M8x1.25
1151	22	10	M8x1.25
D114	23	12	M8x1.25
D115	24	12	M8x1.25
1167	25	12	M8x1.25
D116	26	14	M8x1.25
D117	27	14	M8x1.25
D118	28	14	M8x1.25
D119	29	14	M8x1.25
1144	30	14	M8x1.25

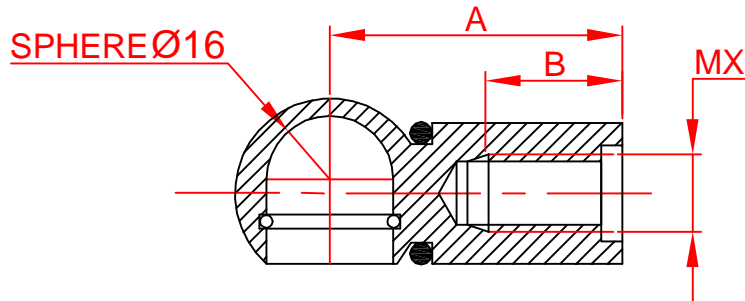
SURFACE PROTECTION: Zinc plated and white, black or yellow passivated. (Standard application)

GAYSAN drawing no ÖR:398

Dimensions in mm / We reserve the right to make modifications.

All rights reserved. Duplication, retransmission and any other use of this drawing is not permitted without the written consent of GAYSAN.

BALL SOCKET WITH CLIP



Ref. No	Dimensions (mm)		
	± 0.3 A	± 0.5 B	MX
D201	20	9	M10x1.25
D202	21	10	M10x1.25
D203	22	11	M10x1.25
D204	23	12	M10x1.25
D205	24	12	M10x1.25
D206	25	12	M10x1.25
D207	26	14	M10x1.25
D208	27	14	M10x1.25
D209	28	14	M10x1.25
D210	29	14	M10x1.25
D211	30	14	M10x1.25
D212	31	14	M10x1.25
D213	32	14	M10x1.25
D214	33	14	M10x1.25
D215	34	14	M10x1.25
D216	35	14	M10x1.25

Ref. No	Dimensions (mm)		
	± 0.3 A	± 0.5 B	MX
D217	20	10	M10x1.5
D218	21	10	M10x1.5
D219	22	10	M10x1.5
D220	23	12	M10x1.5
D221	24	12	M10x1.5
D222	25	12	M10x1.5
D223	26	14	M10x1.5
D224	27	14	M10x1.5
D225	28	14	M10x1.5
D226	29	14	M10x1.5
D227	30	14	M10x1.5
D228	31	14	M10x1.5
D229	32	14	M10x1.5
D230	33	14	M10x1.5
D231	34	14	M10x1.5
D232	35	14	M10x1.5

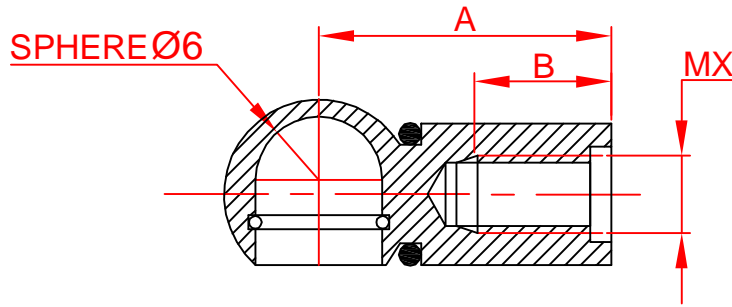
SURFACE PROTECTION: Zinc plated and white, black or yellow passivated. (Standard application)

GAYSAN drawing no ÖR:400

Dimensions in mm / We reserve the right to make modifications.

All rights reserved. Duplication, retransmission and any other use of this drawing is not permitted without the written consent of GAYSAN.

BALL SOCKET WITH CLIP

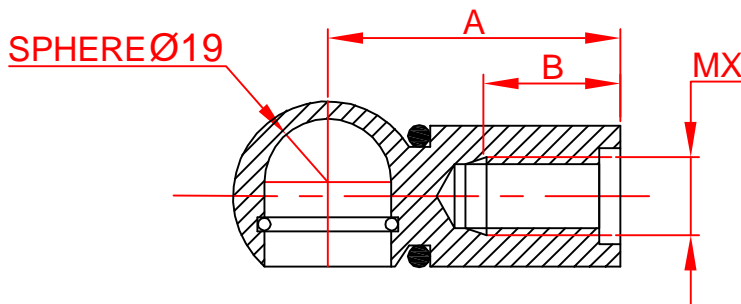


Ref. No	Dimensions (mm)		
	± 0.3 A	± 0.5 B	MX
D301	17	7	M4x0.7
D302	18	7	M4x0.7
D303	19	7	M4x0.7
D304	20	7	M4x0.7
D305	21	7	M4x0.7
D306	22	7	M4x0.7

SURFACE PROTECTION: Zinc plated and white, black or yellow passivated. (Standard application)

GAYSAN drawing no ÖR:752

BALL SOCKET WITH CLIP



Ref. No	Dimensions (mm)		
	± 0.3 A	± 0.5 B	MX
D351	45	21	M14x2
D352	45	21	M14x1.5

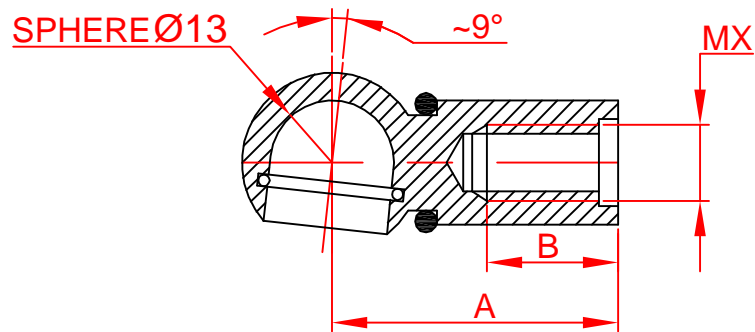
SURFACE PROTECTION: Zinc plated and white, black or yellow passivated. (Standard application)

GAYSAN drawing no ÖR:797

Dimensions in mm / We reserve the right to make modifications.

All rights reserved. Duplication, retransmission and any other use of this drawing is not permitted without the written consent of GAYSAN.

ANGLE BALL SOCKET WITH CLIP



Ref. No	Dimensions (mm)		
	± 0.3 A	± 0.5 B	MX
D151	20.5	9.5	M6x1
D152	21	10	M6x1
D153	22	10	M6x1
D154	23	12	M6x1
D155	24	12	M6x1
D156	25	12	M6x1
D157	26	14	M6x1
D158	27	14	M6x1
D159	28	14	M6x1
D160	29	14	M6x1
1105	30	14	M6x1

Ref. No	Dimensions (mm)		
	± 0.3 A	± 0.5 B	MX
1129	20.5	9.5	M8x1.25
D161	21	10	M8x1.25
1120	22	10	M8x1.25
D162	23	12	M8x1.25
D163	24	12	M8x1.25
1117	25	12	M8x1.25
D164	26	14	M8x1.25
D165	27	14	M8x1.25
D166	28	14	M8x1.25
D167	29	14	M8x1.25
1106	30	14	M8x1.25

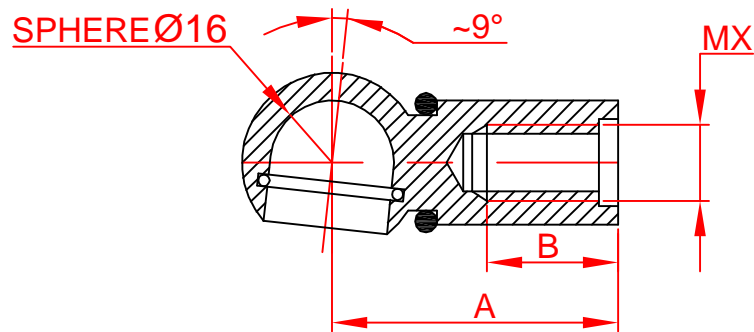
SURFACE PROTECTION: Zinc plated and white, black or yellow passivated. (Standard application)

GAYSAN drawing no ÖR:399

Dimensions in mm / We reserve the right to make modifications.

All rights reserved. Duplication, retransmission and any other use of this drawing is not permitted without the written consent of GAYSAN.

ANGLE BALL SOCKET WITH CLIP



Ref. No	Dimensions (mm)		
	± 0.3 A	± 0.5 B	MX
D251	20	9	M10x1.25
D252	21	10	M10x1.25
D253	22	11	M10x1.25
D254	23	12	M10x1.25
D255	24	12	M10x1.25
D256	25	12	M10x1.25
D257	26	14	M10x1.25
D258	27	14	M10x1.25
D259	28	14	M10x1.25
D260	29	14	M10x1.25
D261	30	14	M10x1.25
D262	31	14	M10x1.25
D263	32	14	M10x1.25
D264	33	14	M10x1.25
D265	34	14	M10x1.25
D266	35	14	M10x1.25

Ref. No	Dimensions (mm)		
	± 0.3 A	± 0.5 B	MX
D267	20	10	M10x1.5
D268	21	10	M10x1.5
D269	22	10	M10x1.5
D270	23	12	M10x1.5
D271	24	12	M10x1.5
D272	25	12	M10x1.5
D273	26	14	M10x1.5
D274	27	14	M10x1.5
D275	28	14	M10x1.5
D276	29	14	M10x1.5
D277	30	14	M10x1.5
D278	31	14	M10x1.5
D279	32	14	M10x1.5
D280	33	14	M10x1.5
D281	34	14	M10x1.5
1142	35	14	M10x1.5

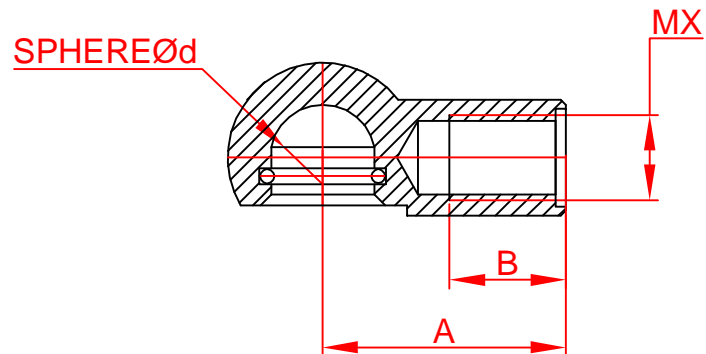
SURFACE PROTECTION: Zinc plated and white, black or yellow passivated. (Standard application)

GAYSAN drawing no ÖR:401

Dimensions in mm / We reserve the right to make modifications.

All rights reserved. Duplication, retransmission and any other use of this drawing is not permitted without the written consent of GAYSAN.

BALL SOCKET WITHOUT SAFETY CLIPS



Ref. No	Dimensions (mm)			
	d	A ^{±0.3}	B ^{±0.5}	MX
1109	10	23	11	M8x1.25
D401	13	25	12	M8x1.25
D402	13	30	14	M8x1.25
D403	16	35	14	M10x1.5

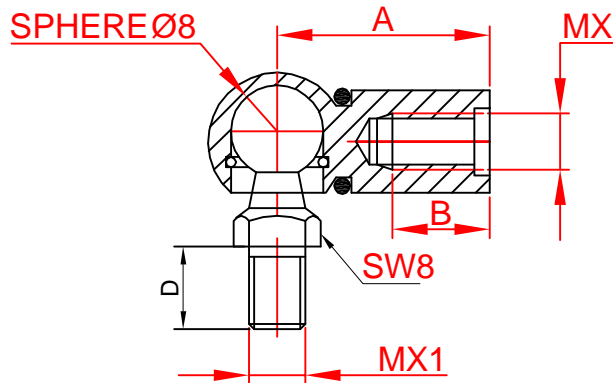
SURFACE PROTECTION: Zinc plated and white, black or yellow passivated. (Standard application)

GAYSAN drawing no ÖR:046

Dimensions in mm / We reserve the right to make modifications.

All rights reserved. Duplication, retransmission and any other use of this drawing is not permitted without the written consent of GAYSAN.

BALL JOINT WITH CLIP

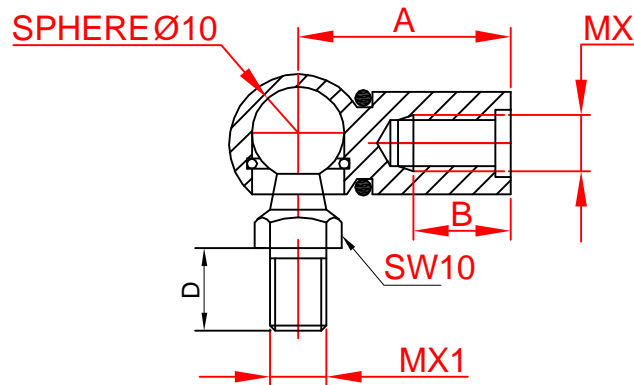


Ref. No	Dimensions (mm)				
	A	B	MX	D	MX1
K001	17	10	M5x0.8	10	M5x0.8
K002	17	10	M5x0.8	11	M6x1
K003	17	10	M6x1	10	M5x0.8
K004	17	10	M6x1	11	M6x1
1130	18	10	M5x0.8	10	M5x0.8
K005	18	10	M5x0.8	11	M6x1
K006	18	10	M6x1	10	M5x0.8
K007	18	10	M6x1	11	M6x1
K008	19	10	M5x0.8	10	M5x0.8
K009	19	10	M5x0.8	11	M6x1
K010	19	10	M6x1	10	M5x0.8
K011	19	10	M6x1	11	M6x1
K012	20	10	M5x0.8	10	M5x0.8
K013	20	10	M5x0.8	11	M6x1

Ref. No	Dimensions (mm)				
	A	B	MX	D	MX1
K014	20	10	M6x1	10	M5x0.8
K015	20	10	M6x1	11	M6x1
K016	21	10	M5x0.8	10	M5x0.8
K017	21	10	M5x0.8	11	M6x1
K018	21	10	M6x1	10	M5x0.8
K019	21	10	M6x1	11	M6x1
1135	22	10	M5x0.8	10	M5x0.8
K020	22	10	M5x0.8	11	M6x1
1127	22	10	M6x1	10	M5x0.8
K021	22	10	M6x1	11	M6x1
1136	22	10	M5x0.8	10	M6x1
1137	22	10	M6x1	10	M6x1
1139	18	10	M5x0.8	10	M6x1
K022	18	10	M4x0.7	10	M4x0.7

SURFACE PROTECTION: Zinc plated and white, black or yellow passivated. (Standard application)

BALL JOINT WITH CLIP



Ref. No	Dimensions (mm)				
	A	B	MX	D	MX1
K101	17	9	M6x1	11	M6x1
K102	17	9	M6x1	13	M8x1.25
K103	17	9	M8x1.25	11	M6x1
K104	17	9	M8x1.25	13	M8x1.25
K105	18	10	M6x1	11	M6x1
K106	18	10	M6x1	13	M8x1.25
1133	18.5	10	M8x1.25	11	M6x1
1121	18.5	10	M8x1.25	13	M8x1.25
1122	19	10	M6x1	11	M6x1
1134	19	10	M6x1	13	M8x1.25
K107	19	10	M8x1.25	11	M6x1
K108	19	10	M8x1.25	13	M8x1.25
K109	20	10	M6x1	11	M6x1
K110	20	10	M6x1	13	M8x1.25
K111	20	10	M8x1.25	11	M6x1
K112	20	10	M8x1.25	13	M8x1.25

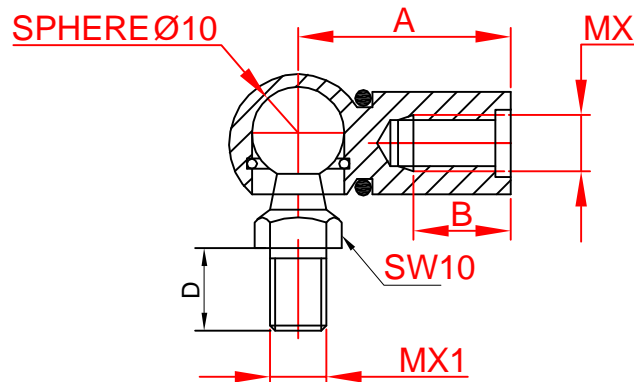
Ref. No	Dimensions (mm)				
	A	B	MX	D	MX1
K113	21	11	M6x1	11	M6x1
K114	21	11	M6x1	13	M8x1.25
K115	21	11	M8x1.25	11	M6x1
K116	21	11	M8x1.25	13	M8x1.25
1153	22	11	M6x1	11	M6x1
K117	22	11	M6x1	13	M8x1.25
K118	22	11	M8x1.25	11	M6x1
K119	22	11	M8x1.25	13	M8x1.25
K120	23	11	M6x1	11	M6x1
K121	23	11	M6x1	13	M8x1.25
K122	23	11	M8x1.25	11	M6x1
K123	23	11	M8x1.25	13	M8x1.25
K124	24	12	M6x1	11	M6x1
K125	24	12	M6x1	13	M8x1.25
K126	24	12	M8x1.25	11	M6x1
K127	24	12	M8x1.25	13	M8x1.25

SURFACE PROTECTION: Zinc plated and white, black or yellow passivated. (Standard application)

Dimensions in mm / We reserve the right to make modifications.

All rights reserved. Duplication, retransmission and any other use of this drawing is not permitted without the written consent of GAYSAN.

BALL JOINT WITH CLIP



Ref. No	Dimensions (mm)				
	A	B	MX	D	MX1
1123	25	12	M6x1	11	M6x1
1138	25	12	M6x1	13	M8x1.25
1164	25	12	M8x1.25	11	M6x1
1124	18	12	M8x1.25	13	M8x1.25
1154	22	11	M6x1	11	M6x1
1156	19	10	M6x1	17	M8x1.25
1157	25	12	M6x1	10	M6x1
K128	19	10	M6x1	16	M8x1.25
K130	24	10	M6x1	16	M6x1
K131	19	10	M6x1	13	M6x1
K132	22	10	M6x1	13	M6x1

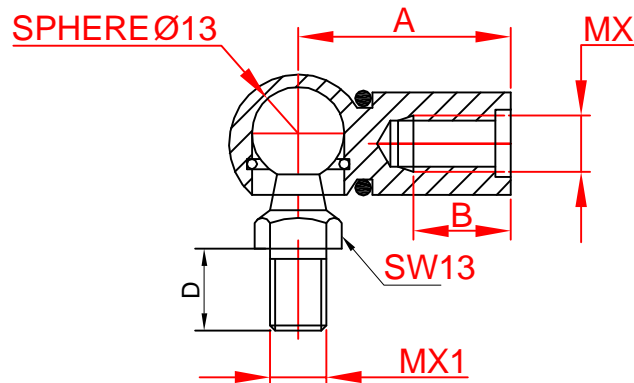
Ref. No	Dimensions (mm)				
	A	B	MX	D	MX1
K133	19	11	M6x1	13	M8x1.25
K134	25	12	M6x1	11	M8x1.25
K135	25	12	M6x1	13	M6x1
K136	25	12	M6x1	16	M8x1.25
K137	20	12	M8x1.25	11	M8x1.25
K138	20	12	M8x1.25	16	M8x1.25
K139	19	10	M6x1	13	5/16-18"
K140	19	11	M6x1	13	M6x1
K141	19	10	M6x1	20	M8x1.25
K142	20	10	M6x1	13	M6x1
K143	25	12	M6x1	20	M8x1.25

SURFACE PROTECTION: Zinc plated and white, black or yellow passivated. (Standard application)

Dimensions in mm / We reserve the right to make modifications.

All rights reserved. Duplication, retransmission and any other use of this drawing is not permitted without the written consent of GAYSAN.

BALL JOINT WITH CLIP

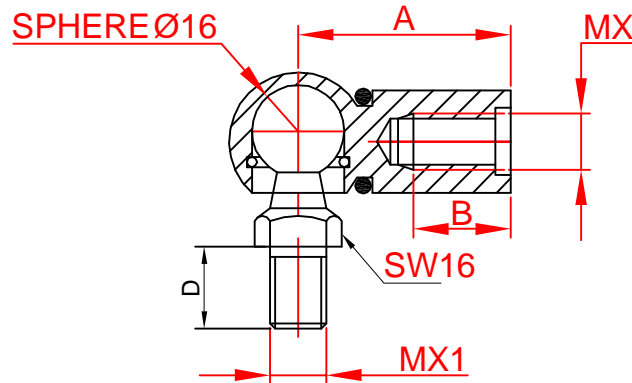


Ref. No	Dimensions (mm)				
	A	B	MX	D	MX1
K201	20	11	M8x1.25	10	M8x1.25
K204	20	11	M8x1.25	16.5	M8x1.25
K205	21	11	M8x1.25	10	M8x1.25
K208	21	11	M8x1.25	16.5	M8x1.25
K209	22	11	M8x1.25	10	M8x1.25
K212	22	11	M8x1.25	16.5	M8x1.25
K213	23	12	M8x1.25	10	M8x1.25
K216	23	12	M8x1.25	16.5	M8x1.25
K217	24	12	M8x1.25	10	M8x1.25
K220	24	12	M8x1.25	16.5	M8x1.25
K221	25	12	M8x1.25	10	M8x1.25
K224	25	12	M8x1.25	16.5	M8x1.25

Ref. No	Dimensions (mm)				
	A	B	MX	D	MX1
K225	26	14	M8x1.25	10	M8x1.25
K228	26	14	M8x1.25	16.5	M8x1.25
K229	28	14	M8x1.25	10	M8x1.25
K232	28	14	M8x1.25	16.5	M8x1.25
K233	30	14	M8x1.25	10	M8x1.25
1145	30	14	M8x1.25	16.5	M8x1.25
1152	22	11	M8x1.25	13	M8x1.25
K236	30	14	M8x1.25	13	M8x1.25
K237	30	14	M8x1.25	20	M8x1.25
K238	20	11	M8x1.25	13	M8x1.25
K239	25	12	M8x1.25	13	M8x1.25
K240	25	12	M8x1.25	20	M8x1.25

SURFACE PROTECTION: Zinc plated and white, black or yellow passivated. (Standard application)

BALL JOINT WITH CLIP

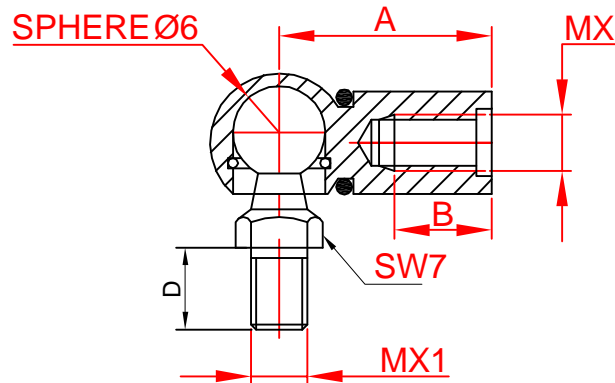


Ref. No	Dimensions (mm)				
	A	B	MX	D	MX1
K501	20	9	M10x1.5	10	M10x1.5
K502	20	9	M10x1.5	15	M10x1.5
K503	20	9	M10x1.5	20	M10x1.5
K504	22	11	M10x1.5	10	M10x1.5
K505	22	11	M10x1.5	15	M10x1.5
K506	22	11	M10x1.5	20	M10x1.5
K507	24	12	M10x1.5	10	M10x1.5
K508	24	12	M10x1.5	15	M10x1.5
K509	24	12	M10x1.5	20	M10x1.5
K510	26	14	M10x1.5	10	M10x1.5
K511	26	14	M10x1.5	15	M10x1.5
K512	26	14	M10x1.5	20	M10x1.5

Ref. No	Dimensions (mm)				
	A	B	MX	D	MX1
K513	28	14	M10x1.5	10	M10x1.5
K514	28	14	M10x1.5	15	M10x1.5
K515	28	14	M10x1.5	20	M10x1.5
K516	30	14	M10x1.5	10	M10x1.5
K517	30	14	M10x1.5	15	M10x1.5
K518	30	14	M10x1.5	20	M10x1.5
K519	32	16	M10x1.5	10	M10x1.5
K520	32	16	M10x1.5	15	M10x1.5
K521	32	16	M10x1.5	20	M10x1.5
K522	35	16	M10x1.5	10	M10x1.5
K523	35	16	M10x1.5	15	M10x1.5
K524	35	16	M10x1.5	20	M10x1.5

SURFACE PROTECTION: Zinc plated and white, black or yellow passivated. (Standard application)

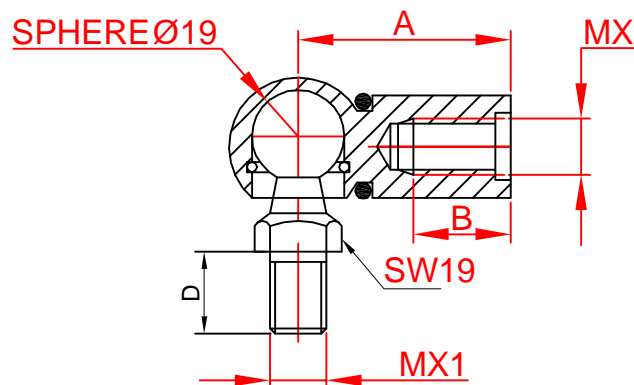
BALL JOINT WITH CLIP



Ref. No	Dimensions (mm)				
	A	B	MX	D	MX1
K601	17	7	M4x0.7	8	M4x0.7
K602	17	7	M4x0.7	10	M4x0.7
K603	18	7	M4x0.7	8	M4x0.7
K604	18	7	M4x0.7	10	M4x0.7
K605	19	7	M4x0.7	8	M4x0.7
K606	19	7	M4x0.7	10	M4x0.7

Ref. No	Dimensions (mm)				
	A	B	MX	D	MX1
K607	20	7	M4x0.7	8	M4x0.7
K608	20	7	M4x0.7	10	M4x0.7
K609	21	7	M4x0.7	8	M4x0.7
K610	21	7	M4x0.7	10	M4x0.7
K611	22	7	M4x0.7	8	M4x0.7
K612	22	7	M4x0.7	10	M4x0.7

BALL JOINT WITH CLIP



Ref. No	Dimensions (mm)				
	A	B	MX	D	MX1
K651	45	21	M14x2	19	M14x1.5
K652	45	21	M14x2	19	M14x2

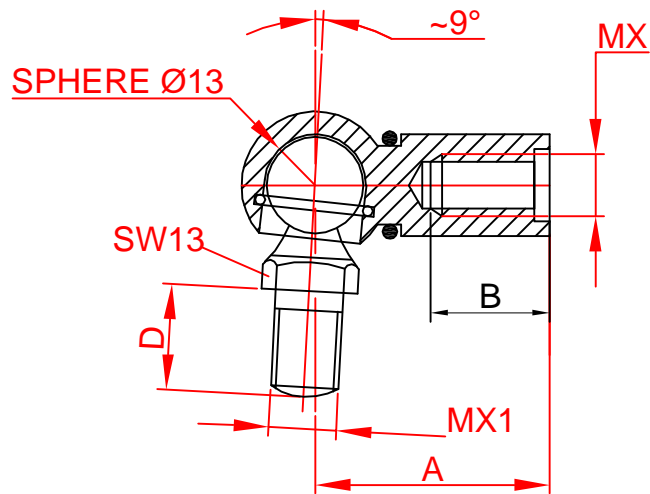
Ref. No	Dimensions (mm)				
	A	B	MX	D	MX1
K653	45	21	M14x1.5	19	M14x1.5
K654	45	21	M14x1.5	19	M14x2

SURFACE PROTECTION: Zinc plated and white, black or yellow passivated. (Standard application)

Dimensions in mm / We reserve the right to make modifications.

All rights reserved. Duplication, retransmission and any other use of this drawing is not permitted without the written consent of GAYSAN.

ANGLE BALL JOINT WITH CLIP



Ref. No	Dimensions (mm)				
	A	B	MX	D	MX1
K301	20	11	M8x1.25	10	M8x1.25
K304	20	11	M8x1.25	16.5	M8x1.25
K305	21	11	M8x1.25	10	M8x1.25
K308	21	11	M8x1.25	16.5	M8x1.25
K309	22	11	M8x1.25	10	M8x1.25
K312	22	11	M8x1.25	16.5	M8x1.25
K313	23	12	M8x1.25	10	M8x1.25
K316	23	12	M8x1.25	16.5	M8x1.25
K317	24	12	M8x1.25	10	M8x1.25
K320	24	12	M8x1.25	16.5	M8x1.25
K321	25	12	M8x1.25	10	M8x1.25

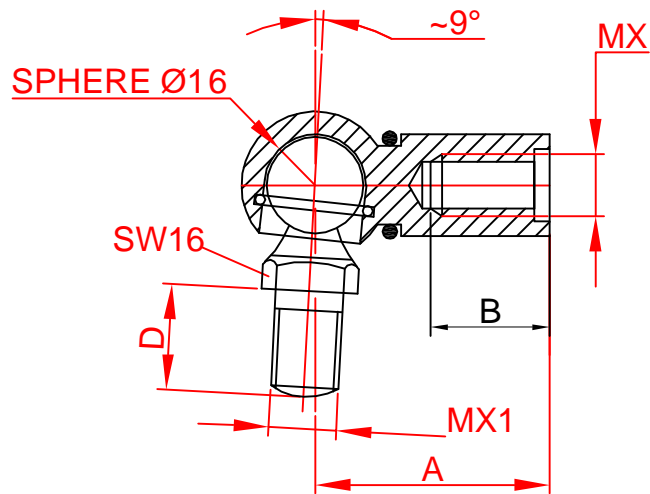
Ref. No	Dimensions (mm)				
	A	B	MX	D	MX1
1128	25	12	M8x1.25	16.5	M8x1.25
K323	26	14	M8x1.25	10	M8x1.25
K326	26	14	M8x1.25	16.5	M8x1.25
K327	28	14	M8x1.25	10	M8x1.25
K330	28	14	M8x1.25	16.5	M8x1.25
1158	30	14	M8x1.25	10	M8x1.25
1126	30	14	M8x1.25	16.5	M8x1.25
1131	22	11	M8x1.25	13	M8x1.25
1132	20	14	M8x1.25	13	M8x1.25
1155	30	14	M8x1.25	16.5	M8x1.25
K332	30	14	M8x1.25	13	M8x1.25

SURFACE PROTECTION: Zinc plated and white, black or yellow passivated. (Standard application)

Dimensions in mm / We reserve the right to make modifications.

All rights reserved. Duplication, retransmission and any other use of this drawing is not permitted without the written consent of GAYSAN.

ANGLE BALL JOINT WITH CLIP



Ref. No	Dimensions (mm)				
	A	B	MX	D	MX1
K401	20	9	M10x1.5	10	M10x1.5
K402	20	9	M10x1.5	15	M10x1.5
K403	20	9	M10x1.5	20	M10x1.5
K404	22	11	M10x1.5	10	M10x1.5
K405	22	11	M10x1.5	15	M10x1.5
K406	22	11	M10x1.5	20	M10x1.5
K407	24	12	M10x1.5	10	M10x1.5
K408	24	12	M10x1.5	15	M10x1.5
K409	24	12	M10x1.5	20	M10x1.5
K410	26	14	M10x1.5	10	M10x1.5
K411	26	14	M10x1.5	15	M10x1.5
K412	26	14	M10x1.5	20	M10x1.5

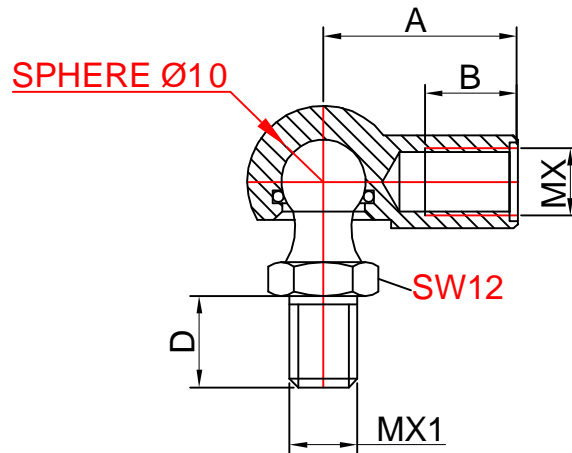
Ref. No	Dimensions (mm)				
	A	B	MX	D	MX1
K413	28	14	M10x1.5	10	M10x1.5
K414	28	14	M10x1.5	15	M10x1.5
K415	28	14	M10x1.5	20	M10x1.5
K416	30	14	M10x1.5	10	M10x1.5
K417	30	14	M10x1.5	15	M10x1.5
K418	30	14	M10x1.5	20	M10x1.5
K419	32	16	M10x1.5	10	M10x1.5
K420	32	16	M10x1.5	15	M10x1.5
K421	32	16	M10x1.5	20	M10x1.5
K422	35	16	M10x1.5	10	M10x1.5
K423	35	16	M10x1.5	15	M10x1.5
1143	35	16	M10x1.5	20	M10x1.5

SURFACE PROTECTION: Zinc plated and white, black or yellow passivated. (Standard application)

Dimensions in mm / We reserve the right to make modifications.

All rights reserved. Duplication, retransmission and any other use of this drawing is not permitted without the written consent of GAYSAN.

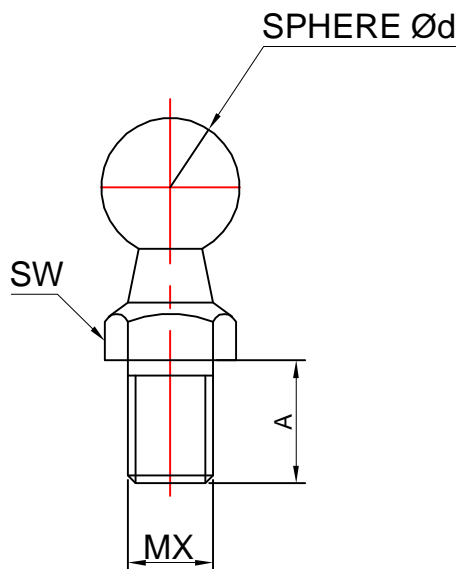
BALL JOINT WITHOUT SAFETY CLIPS



Ref. No	Dimensions (mm)				
	A	B	MX	D	MX1
1110	23	11	M8x1.25	14.5	M8x1.25
1227	23	11	M8x1.25	11.5	M8x1.25

SURFACE PROTECTION: Zinc plated and white, black or yellow passivated. (Standard application)

BALL STUD



Ref. No	Dimensions (mm)			
	$d^{-0.1}$	$A^{\pm 0.3}$	$SW^{-0.2}$	MX
BS1001	6	8	7	M4x0.7
BS1002	6	10	7	M4x0.7
BS1003	8	10	8	M5x0.8
BS1004	8	10	8	M6x1
BS1005	10	11	10	M6x1
BS1006	10	10	13	M8x1.25
BS1007	10	11	13	M8x1.25
BS1008	10	13	13	M8x1.25
BS1009	10	20	13	M8x1.25
BS1010	13	10	13	M8x1.25
BS1011	13	13	13	M8x1.25
BS1012	13	16.5	13	M8x1.25
BS1013	13	20	13	M8x1.25
BS1014	16	10	16	M10x1.5
BS1015	16	15	16	M10x1.5
BS1016	16	20	16	M10x1.5
BS1017	19	28	19	M14x1.5
BS1018	19	28	19	M14x2

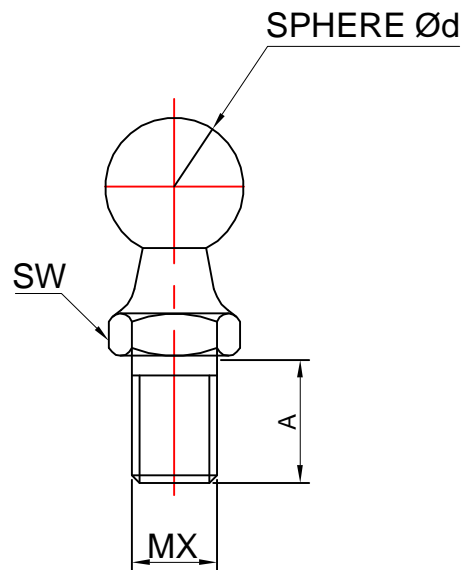
SURFACE PROTECTION: Zinc plated and white, black or yellow passivated. (Standard application)

GAYSAN drawing no ÖR:30,ÖR:592,08-19/029,ÖR:580,ÖR:751,ÖR:796

Dimensions in mm / We reserve the right to make modifications.

All rights reserved. Duplication, retransmission and any other use of this drawing is not permitted without the written consent of GAYSAN.

BALL STUD



Ref. No	Dimensions (mm)			
	$d^{-0.1}$	$A^{\pm 0.3}$	$\text{SW}^{-0.2}$	MX
BS2001	10	11.5	12	M8x1.25
BS2002	10	14.5	12	M8x1.25

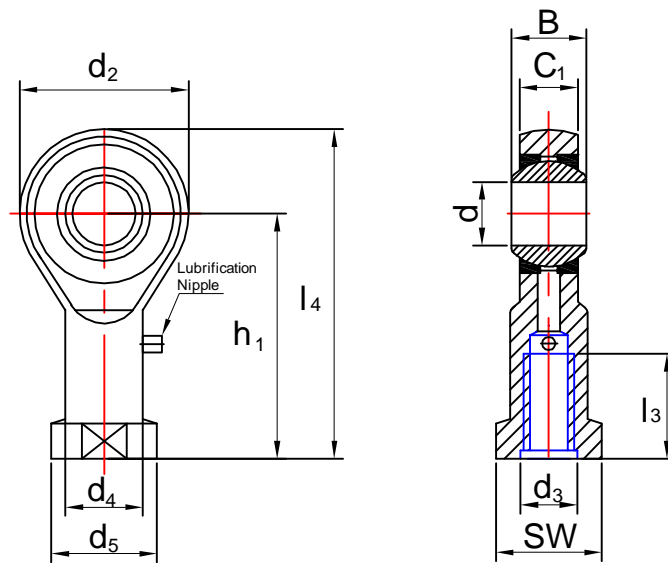
SURFACE PROTECTION: Zinc plated and white, black or yellow passivated. (Standard application)

GAYSAN drawing no ÖR:48

Dimensions in mm / We reserve the right to make modifications.

All rights reserved. Duplication, retransmission and any other use of this drawing is not permitted without the written consent of GAYSAN.

SPHERICAL PLAIN BEARING



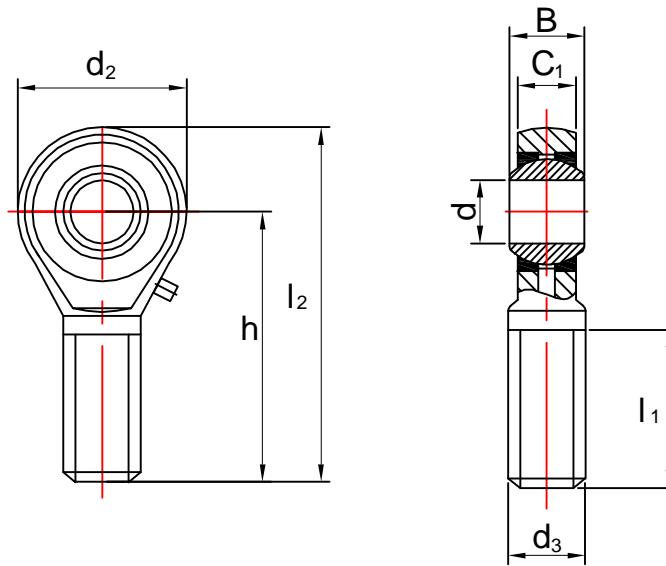
With Female Thread

Ref. No	Dimensions (mm)										
	d	d ₃	SW	B	C _{1 max}	h ₁	d _{2 max}	l _{4 max}	d _{4 max}	d _{5 max}	l _{3 min}
PHS105	5	M5	9	8	6	27	18	36	8.5	12	14
PHS106	6	M6	11	9	6.75	30	20	40	10	13	14
PHS108	8	M8	14	12	9	36	24	48	12.5	16	17
PHS110	10	M10	17	14	10.5	43	28	57	15	19	21
PHS112	12	M12	19	16	12	50	32	66	17.5	22	24
PHS114	14	M14	22	19	13.5	57	36	75	20	26	27
PHS116	16	M16	24	21	15	64	40	84	22	28	33
PHS118	18	M18x1.5	27	23	16.5	71	44	93	25	31	36
PHS120	20	M20x1.5	30	25	18	77	48	101	27.5	35	40
PHS122	22	M22x1.5	32	28	20	84	54	111	30	38	43
PHS125	25	M24x2	36	31	22	94	60	124	33.5	42	48
PHS128	28	M27x2	41	35	24	103	66	136	37	46	53
PHS130	30	M30x2	46	37	25	110	70	145	40	50	56

Dimensions in mm / We reserve the right to make modifications.

All rights reserved. Duplication, retransmission and any other use of this drawing is not permitted without the written consent of GAYSAN.

SPHERICAL PLAIN BEARING



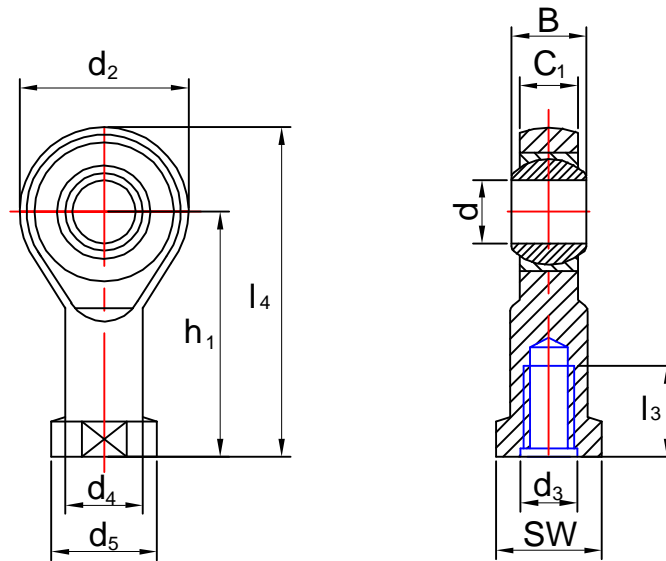
With Male Thread

Ref. No	Dimensions (mm)							
	d	d ₃	l _{1 max}	B	C _{1 max}	h	d _{2 max}	l _{2 max}
POS105	5	M5	20	8	6	33	18	42
POS106	6	M6	23	9	6.75	36	20	46
POS108	8	M8	25	12	9	42	24	54
POS110	10	M10	30	14	10.5	48	26	62
POS112	12	M12	34	16	12	54	30	70
POS114	14	M14	37	19	13.5	60	34	78
POS116	16	M16	41	21	15	66	40	86
POS118	18	M18x1.5	45	23	16.5	72	44	95
POS120	20	M20x1.5	48	25	18	78	48	102
POS122	22	M22x1.5	52	28	20	84	54	111
POS125	25	M24x2	58	31	22	94	60	124
POS128	28	M27x2	63	35	24	103	66	136
POS130	30	M30x2	67	37	25	110	70	145

Dimensions in mm / We reserve the right to make modifications.

All rights reserved. Duplication, retransmission and any other use of this drawing is not permitted without the written consent of GAYSAN.

SPHERICAL PLAIN BEARING



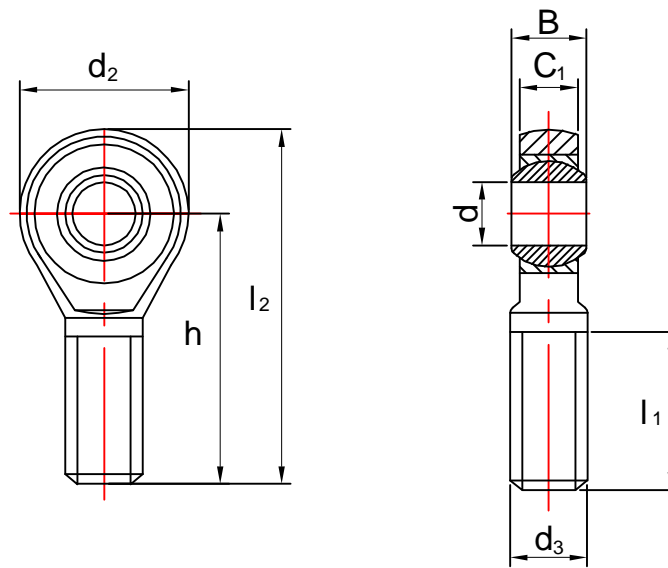
With Female Thread

Ref. No	Dimensions (mm)										
	d	d ₃	SW	B	C ₁ _{max}	h ₁	d ₂ _{max}	l ₄ _{max}	d ₄ _{max}	d ₅ _{max}	l ₃ _{min}
SI105	5	M5	9	8	6	27	18	36	8.5	12	8
SI106	6	M6	11	9	6.75	30	20	40	10	13	9
SI108	8	M8	14	12	9	36	24	48	12.5	16	12
SI110	10	M10	17	14	10.5	43	28	57	15	19	15
SI112	12	M12	19	16	12	50	32	66	17.5	22	18
SI114	14	M14	22	19	13.5	57	36	75	20	26	21
SI116	16	M16	24	21	15	64	40	84	22	28	24
SI118	18	M18x1.5	27	23	16.5	71	44	93	25	31	27
SI120	20	M20x1.5	30	25	18	77	48	101	27.5	35	30
SI122	22	M22x1.5	32	28	20	84	54	111	30	38	32
SI125	25	M24x2	36	31	22	94	60	124	33.5	42	36
SI128	28	M27x2	41	35	24	103	66	136	37	46	41
SI130	30	M30x2	46	37	25	110	70	145	40	50	45

Dimensions in mm / We reserve the right to make modifications.

All rights reserved. Duplication, retransmission and any other use of this drawing is not permitted without the written consent of GAYSAN.

SPHERICAL PLAIN BEARING



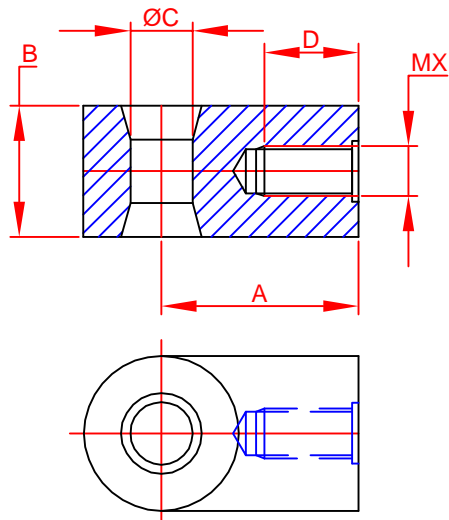
With Male Thread

Ref. No	Dimensions (mm)							
	d	d ₃	l _{1 max}	B	C _{1 max}	h	d _{2 max}	l _{2 max}
SA105	5	M5	19	8	6	33	18	42
SA106	6	M6	21	9	6.75	36	20	46
SA108	8	M8	25	12	9	42	24	54
SA110	10	M10	28	14	10.5	48	28	62
SA112	12	M12	32	16	12	54	32	70
SA114	14	M14	36	19	13.5	60	36	78
SA116	16	M16	37	21	15	66	40	86
SA118	18	M18x1.5	41	23	16.5	72	44	95
SA120	20	M20x1.5	45	25	18	78	48	102
SA122	22	M22x1.5	48	28	20	84	54	111
SA125	25	M24x2	55	31	22	94	60	124
SA128	28	M27x2	62	35	24	103	66	136
SA130	30	M30x2	66	37	25	110	70	145

Dimensions in mm / We reserve the right to make modifications.

All rights reserved. Duplication, retransmission and any other use of this drawing is not permitted without the written consent of GAYSAN.

ZAMAK TE FITTING

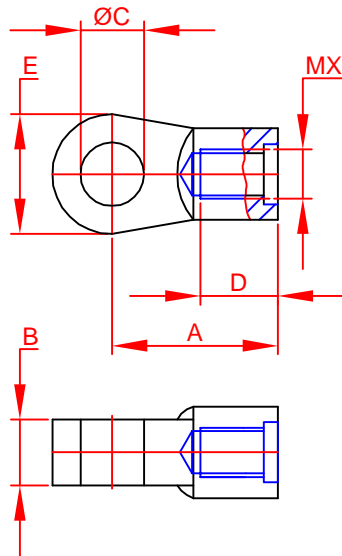


Ref. No	Dimensions (mm)				
	A	B	$\text{ØC}^{+0.1}$	D	MX
2180	22	14	6.1	11	M6x1
2181	25	18	8.1	11	M8x1.25
2182	25	18	10.1	11	M8x1.25
2183	25	18	8.1	11	M10x1.5
2184	25	18	10.1	11	M10x1.5
2185	22	14	6.1	11	M8x1.25
2186	22	14	8.1	11	M8x1.25
2187	25	18	8.1	11	M10x1.25
2188	25	18	10.1	11	M10x1.25
2189	22	14	8.1	11	M6x1

Dimensions in mm / We reserve the right to make modifications.

All rights reserved. Duplication, retransmission and any other use of this drawing is not permitted without the written consent of GAYSAN.

ZAMAK EYE



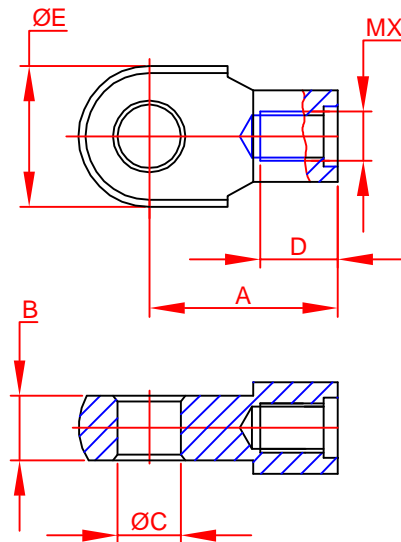
Ref. No	Dimensions (mm)					
	A	B	$\varnothing C^{+0.1}$	D	E	MX
1306	25	5	6.1	9	15	M6x1
1307	25	5	8.1	9	15	M6x1
1308	25	3	6.1	7	14	M6x1

GAYSAN drawing no ÖR:402

Dimensions in mm / We reserve the right to make modifications.

All rights reserved. Dublication, retransmission and any other use of this drawing is not permitted without the written consent of GAYSAN.

METAL EYE



Ref. No	Dimensions (mm)						Ref. No	Dimensions (mm)					
	A	B	ØC ^{+0.1}	D	ØE	MX		A	B	ØC ^{+0.1}	D	ØE	MX
1300	16	3	6.1	5	11	M5X0.8	1316	22	3	10.1	8	15	M6x1
1301	16	3	5.5	7	13	M6x1	1317	30	5	6.1	14	15	M8x1.25
1302	20	3	6.1	7	13	M6x1	1318	16	3	6.1	7	13	M6x1
1303	22	3	6.1	8	15	M6x1	1319	16	3	8.1	7	13	M6x1
1304	22	5	8.1	9	15	M6x1	1320	18	3	6.1	6	13	M6x1
1305	30	5	8.1	14	15	M8x1.25	1321	22	5	8.1	9	15	M8x1.25
1309	20	3	8.1	7	13	M6x1	1322	30	3.7	12.85 BUSHING	10.5	20	M8x1.25
1310	22	3	8.1	8	13	M6x1	1323	25	8	8.1	10	15	M6x1
1311	16	3	6.4	5	11	M4x0.7	1324	30	4.3	8.1	14	15	M8x1.25
1312	22	5	6.1	9	15	M6x1	1325	30	4.5	12.80	10.5	20	M8x1.25
1313	16	3	8.1	7	13	M6x1	1326	30	4.5	8 BUSHING	10.5	20	M8x1.25
1314	22	5	5.1	9	15	M6x1	1327	22	5	8.1	9	15	M5x0.8
1315	22	3	8.35 BUSHING	8	13	M6x1	1329	28	5	8.1	14	15	M6x1

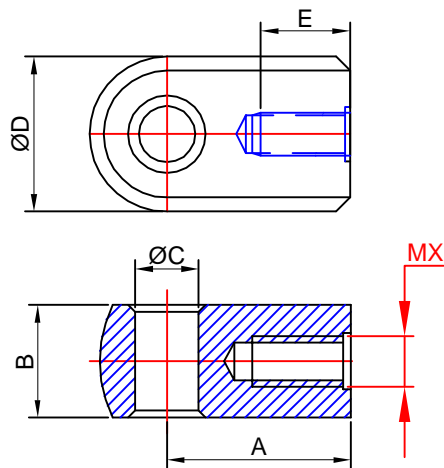
SURFACE PROTECTION: Zinc plated and white, black or yellow passivated. (Standard application)

GAYSAN drawing no ÖR:395

Dimensions in mm / We reserve the right to make modifications.

All rights reserved. Duplication, retransmission and any other use of this drawing is not permitted without the written consent of GAYSAN.

METAL EYE



Ref. No	Dimensions (mm)					
	A	B	ØC ^{+0.1}	ØD	E	MX
4190	18	10	6.1	16	10	M6x1
4191	36	12	8.1	20	10	M10x1.25
4192	18	10	8.1	16	10	M8x1.25
4193	22	12	12.1	20	13	M10x1.25
4196	40	10	8.1	18	14	M8x1.25
DK01	18	10	10.1	18	10	M6x1
DK02	18	10	10.1	16	10	M6x1
DK03	18	10	10.1	18	10	M8x1.25
DK04	16	10	8.1	14	10	M8x1.25
DK05	16	10	8.1	14	10	M6x1
DK06	16	10	10.1	16	10	M8x1.25
DK07	16	10	6.1	14	10	M6x1
DK08	14	12	8.1	18	10	M8x1.25
DK09	20	12	8.3	18	11	M8x1.25
DK10	20	12	10.1	18	11	M8x1.25

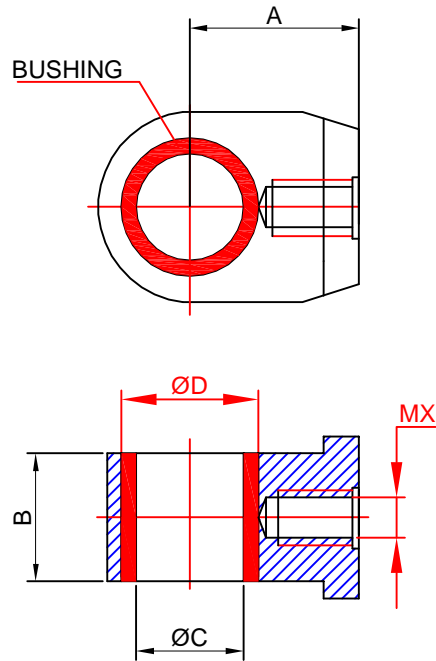
SURFACE PROTECTION: Zinc plated and white, black or yellow passivated. (Standard application)

GAYSAN drawing no ÖR:403

Dimensions in mm / We reserve the right to make modifications.

All rights reserved. Duplication, retransmission and any other use of this drawing is not permitted without the written consent of GAYSAN.

SINTER EYE



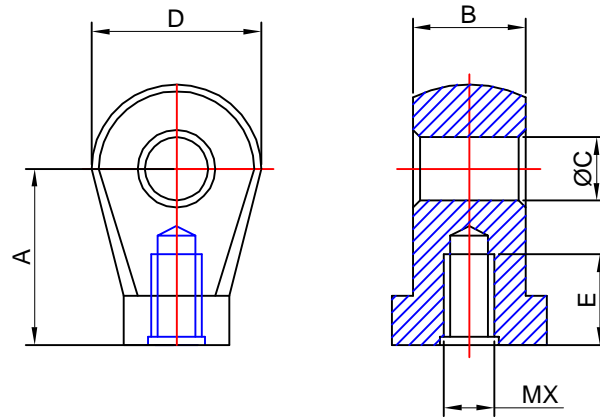
Ref. No	Dimensions (mm)				
	A	B	$\text{ØC}^{+0.1}$	ØD	MX
4170	18	12	8.1	13	M10x1.25
4171	18	12	10.1	13	M10x1.25
4172	18	12	-	13	M10x1.25
4173	18	12	8.1	13	M8x1.25
4174	18	12	10.1	13	M8x1.25
4175	18	12	-	13	M8x1.25

GAYSAN drawing no 10-22/004 - 10-22/005

Dimensions in mm / We reserve the right to make modifications.

All rights reserved. Duplication, retransmission and any other use of this drawing is not permitted without the written consent of GAYSAN.

METAL EYE



Ref. No	Dimensions (mm)					
	A	B	ØC ^{+0.1}	D	E	MX
4180	21	10	6.1	21.5	11	M6x1
4181	21	10	8.5	21.5	11	M6x1
4182	21	10	13.1	21.5	11	M6x1
4183	29	10	13.1	21.5	11	M6x1
4184	21	10	12.5	21.5	11	M6x1
4185	21	10	8.1	21.5	11	M6x1
4186	21	10	12.8	21.5	11	M6x1
4187	29	10	10.1	21.5	11	M6x1
4188	21	10	10.1	21.5	11	M6x1
4189	29	10	8.1	21.5	11	M6x1
4194	29	10	12.7	21.5	11	M6x1
AK51	29	10	6.1	21.5	11	M6x1
AK52	21	10	13.4	21.5	11	M6x1

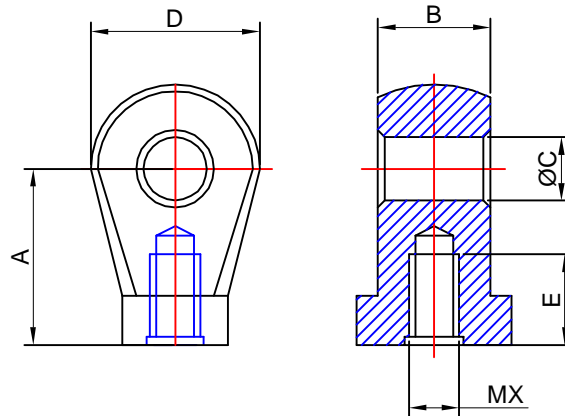
SURFACE PROTECTION: Zinc plated and white, black or yellow passivated. (Standard application)

GAYSAN drawing no ÖR:509

Dimensions in mm / We reserve the right to make modifications.

All rights reserved. Duplication, retransmission and any other use of this drawing is not permitted without the written consent of GAYSAN.

METAL EYE



Ref. No	Dimensions (mm)					
	A	B	ØC ^{+0.1}	D	E	MX
4195	21	8	8.1	21.5	11	M6x1
4197	21	8	12.5	21.5	11	M6x1
4198	21	8	12.8	21.5	11	M6x1
4199	21	8	13.1	21.5	11	M6x1
5000	29	8	13.1	21.5	11	M6x1
5001	29	8	10.1	21.5	11	M6x1
5002	21	8	10.1	21.5	11	M6x1
5003	29	8	8.1	21.5	11	M6x1
5004	21	8	6.1	21.5	11	M6x1

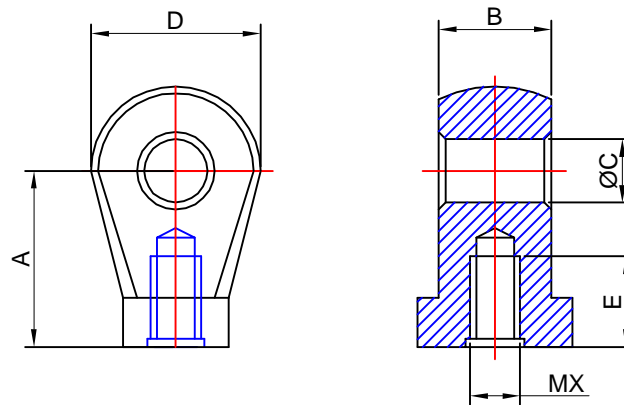
SURFACE PROTECTION: Zinc plated and white, black or yellow passivated. (Standard application)

GAYSAN drawing no ÖR:239

Dimensions in mm / We reserve the right to make modifications.

All rights reserved. Duplication, retransmission and any other use of this drawing is not permitted without the written consent of GAYSAN.

METAL EYE



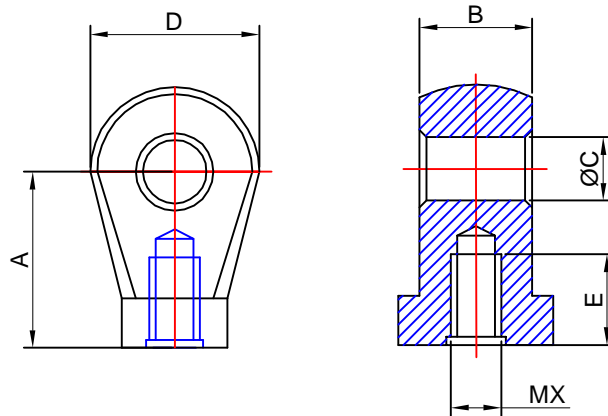
Ref. No	Dimensions (mm)					
	A	B	ØC ^{+0.1}	D	E	MX
7725	16	12	6.1	19	10	M6x1
7726	16	12	6.1	19	10	M8x1.25
7727	16	12	6.1	19	10	M10x1.25
7728	16	12	8.1	19	9	M6x1
7729	16	12	8.1	19	9	M8x1.25
7730	16	12	8.1	19	9	M10x1.25
7731	16	12	10.1	19	8	M6x1
7732	16	12	10.1	19	8	M8x1.25
7733	16	12	10.1	19	8	M10x1.25
7734	18	12	6.1	19	12	M6x1
7735	18	12	6.1	19	12	M8x1.25
7736	18	12	6.1	19	12	M10x1.25
7737	18	12	8.1	19	11	M6x1
7738	18	12	8.1	19	11	M8x1.25
7739	18	12	8.1	19	11	M10x1.25
7740	18	12	10.1	19	10	M6x1
7741	18	12	10.1	19	10	M8x1.25
7742	18	12	10.1	19	10	M10x1.25
7743	18	12	12.1	19	10	M8x1.25

SURFACE PROTECTION: Zinc plated and white, black or yellow passivated. (Standard application)

GAYSAN drawing no ÖR:334

Dimensions in mm / We reserve the right to make modifications.
All rights reserved. Duplication, retransmission and any other use of this drawing is not permitted without the written consent of GAYSAN.

METAL EYE



Ref. No	Dimensions (mm)					
	A	B	ØC ^{+0.1}	D	E	MX
7776	16	10	6.1	19	10	M6x1
7777	16	10	6.1	19	10	M8x1.25
7778	16	10	8.1	19	9	M6x1
7779	16	10	8.1	19	9	M8x1.25
7780	16	10	10.1	19	8	M6x1
7781	16	10	10.1	19	8	M8x1.25
7782	18	10	6.1	19	12	M6x1
7783	18	10	6.1	19	12	M8x1.25
7784	18	10	8.1	19	11	M6x1
7785	18	10	8.1	19	11	M8x1.25
7786	18	10	10.1	19	10	M6x1
7787	18	10	10.1	19	10	M8x1.25
7788	18	10	8.5	19	11	M8x1.25

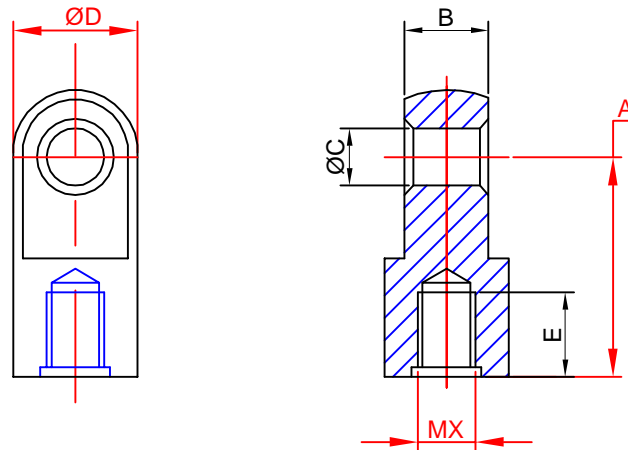
SURFACE PROTECTION: Zinc plated and white, black or yellow passivated. (Standard application)

GAYSAN drawing no ÖR:335

Dimensions in mm / We reserve the right to make modifications.

All rights reserved. Duplication, retransmission and any other use of this drawing is not permitted without the written consent of GAYSAN.

METAL EYE



Ref. No	Dimensions (mm)					
	A	B	$\varnothing C^{+0.1}$	$\varnothing D$	E	MX
7701	12	3	4.1	8	5	M3x0.5
7702	12	3	4.1	8	5	M3.5x0.6
7703	12	3	4.1	8	5	M4x0.7
7704	12	4	4.1	8	5	M3x0.5
7705	12	4	4.1	8	5	M3.5x0.6
7706	12	4	4.1	8	5	M4x0.7
7707	12	5	4.1	8	5	M3x0.5
7708	12	5	4.1	8	5	M3.5x0.6
7709	12	5	4.1	8	5	M4x0.7

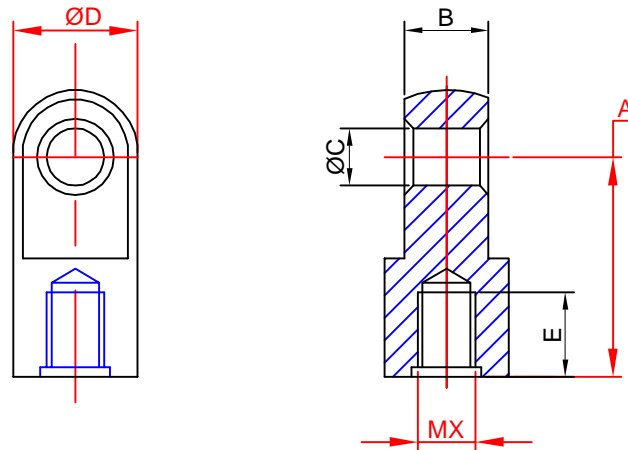
SURFACE PROTECTION: Zinc plated and white, black or yellow passivated. (Standard application)

GAYSAN drawing no ÖR:655

Dimensions in mm / We reserve the right to make modifications.

All rights reserved. Duplication, retransmission and any other use of this drawing is not permitted without the written consent of GAYSAN.

METAL EYE



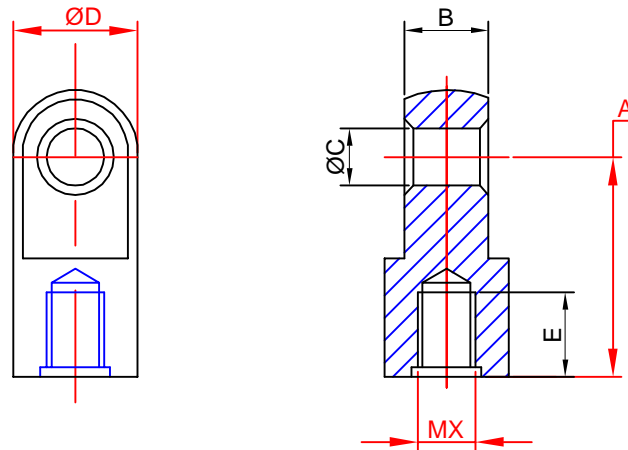
Ref. No	Dimensions (mm)					
	A	B	$\text{ØC}^{+0.1}$	ØD	E	MX
7751	22	5	6.1	16	10	M6x1
7752	22	5	8.1	16	10	M6x1
7753	22	5	10.1	16	10	M6x1
7754	22	6	6.1	16	10	M6x1
7755	22	6	8.1	16	10	M6x1
7756	22	6	10.1	16	10	M6x1
7757	22	8	6.1	16	10	M6x1
7758	22	8	8.1	16	10	M6x1
7759	22	8	10.1	16	10	M6x1
7760	22	10	6.1	16	10	M6x1
7761	22	10	8.1	16	10	M6x1
7762	22	10	10.1	16	10	M6x1
7763	22	5	6.1	16	10	M8x1.25
7764	22	5	8.1	16	10	M8x1.25
7765	22	5	10.1	16	10	M8x1.25
7766	22	6	6.1	16	10	M8x1.25
7767	22	6	8.1	16	10	M8x1.25
7768	22	6	10.1	16	10	M8x1.25
7769	22	8	6.1	16	10	M8x1.25
7770	22	8	8.1	16	10	M8x1.25
7771	22	8	10.1	16	10	M8x1.25
7772	22	10	6.1	16	10	M8x1.25
7773	22	10	8.1	16	10	M8x1.25
7774	22	10	10.1	16	10	M8x1.25
7775	22	8	8.6	16	10	M8x1.25

SURFACE PROTECTION: Zinc plated and white, black or yellow passivated. (Standard application)

GAYSAN drawing no ÖR:333

Dimensions in mm / We reserve the right to make modifications.
All rights reserved. Duplication, retransmission and any other use of this drawing is not permitted without the written consent of GAYSAN.

METAL EYE



Ref. No	Dimensions (mm)					
	A	B	$\varnothing C^{+0.1}$	$\varnothing D$	E	MX
1350	16	6	6.1	10	9	M5x0.8
1351	22	10	8.1	14	9	M8x1.25
1352	30	10	8.1	18	9	M10x1.5
1353	27.5	3	6.1	13	9	M6x1
1354	30.5	5	8.1	18	9	M8x1.25
1355	25	5	8.1	13	9	M6x1
1356	22	3	6.1	13	9	M5x0.8
1357	22	10	6.1	14	9	M8x1.25
1359	25	3	6.1	13	9	M5x0.8
1365	16	6	8.1	12	9	M5x0.8
1366	30	8	8.1	18	9	M8x1.25
1369	31	5	6.1	13	9	M6x1
Ref. No	Dimensions (mm)					
	A	B	$\varnothing C^{+0.1}$	$\varnothing D$	E	MX
1370	31	5	8.1	13	9	M6x1
1371	32	5	6.1	13	9	M6x1
MU01	30	10	10.1	18	9	M10x1.5
MU02	36	5.5	8.1	16	9	M8x1.25
MU03	31	5.5	8.1	16	9	M8x1.25
MU05	25	8	10.1	16	9	M8x1.25
MU06	25	8	8.1	16	9	M8x1.25
MU07	25	12	10.1	19	9	M10x1.5
MU08	22	10	8.1	14	9	M6x1
MU09	35	10	10.1	20	9	M10x1.5
MU10	35	10	8.1	20	9	M10x1.5
MU11	25	8	6.1	16	9	M8x1.25

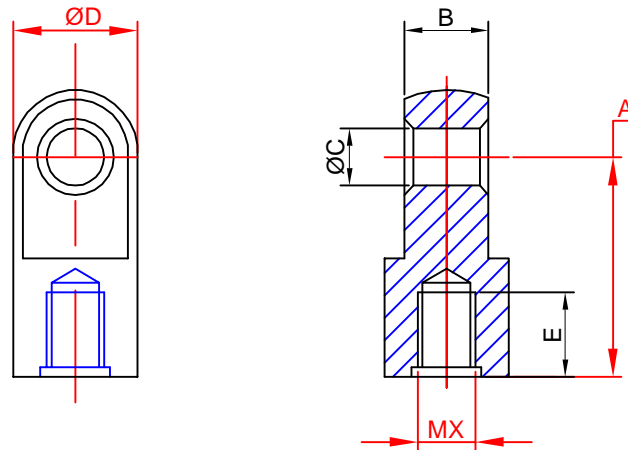
SURFACE PROTECTION: Zinc plated and white, black or yellow passivated. (Standard application)

GAYSAN drawing no ÖR:393

Dimensions in mm / We reserve the right to make modifications.

All rights reserved. Duplication, retransmission and any other use of this drawing is not permitted without the written consent of GAYSAN.

METAL EYE



Ref. No	Dimensions (mm)					
	A	B	$\text{ØC}^{+0.1}$	ØD	E	MX
MU51	40	10	10.1	25	13	M10x1.5
MU52	40	10	12.1	25	13	M10x1.5
MU53	40	10	14.1	25	13	M10x1.5
MU54	40	12	10.1	25	13	M10x1.5
MU55	40	12	12.1	25	13	M10x1.5
MU56	40	12	14.1	25	13	M10x1.5
MU57	40	14	10.1	25	13	M10x1.5
MU58	40	14	12.1	25	13	M10x1.5
MU59	40	14	14.1	25	13	M10x1.5
MU60	40	10	10.1	25	13	M12x1.75
MU61	40	10	12.1	25	13	M12x1.75
MU62	40	10	14.1	25	13	M12x1.75
MU63	40	12	10.1	25	13	M12x1.75
MU64	40	12	12.1	25	13	M12x1.75

Ref. No	Dimensions (mm)					
	A	B	$\text{ØC}^{+0.1}$	ØD	E	MX
MU65	40	12	14.1	25	13	M12x1.75
MU66	40	14	10.1	25	13	M12x1.75
MU67	40	14	12.1	25	13	M12x1.75
MU68	40	14	14.1	25	13	M12x1.75
MU69	40	10	10.1	25	13	M14x2
MU70	40	10	12.1	25	13	M14x2
MU71	40	10	14.1	25	13	M14x2
MU72	40	12	10.1	25	13	M14x2
MU73	40	12	12.1	25	13	M14x2
MU74	40	12	14.1	25	13	M14x2
MU75	40	14	10.1	25	13	M14x2
MU76	40	14	12.1	25	13	M14x2
MU77	40	14	14.1	25	13	M14x2

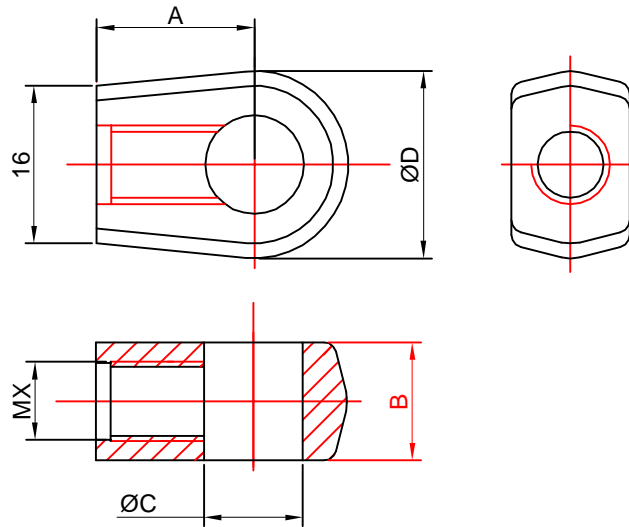
SURFACE PROTECTION: Zinc plated and white, black or yellow passivated. (Standard application)

GAYSAN drawing no ÖR:664

Dimensions in mm / We reserve the right to make modifications.

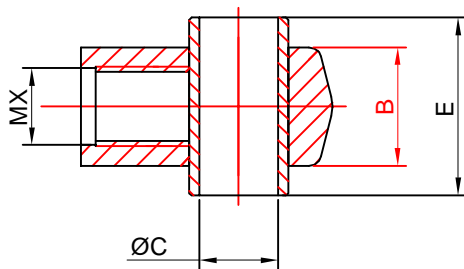
All rights reserved. Duplication, retransmission and any other use of this drawing is not permitted without the written consent of GAYSAN.

METAL EYE

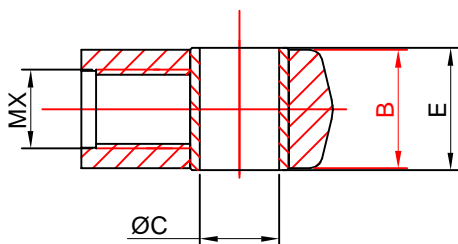


Ref. No	Dimensions (mm)				
	A	B	ØC	ØD	MX
U633	16	12	10 -0.05	19	M8x1.25
U634	16	12	10.3 +0.1	19	M8x1.25
U635	16	12	10.1 +0.2	19	M8x1.25

METAL EYE WITH BUSHING



Ref. No	Dimensions (mm)					
	A	B	ØC	ØD	E	MX
U631	16	12	8 +0.2	19	18	M8x1.25



Ref. No	Dimensions (mm)					
	A	B	ØC	ØD	E	MX
U632	16	12	8 +0.2	19	12	M8x1.25

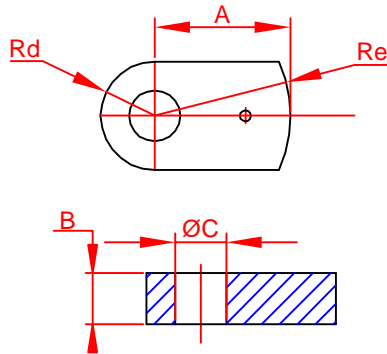
SURFACE PROTECTION: Zinc plated and white, black or yellow passivated. (Standard application)

GAYSAN drawing no ÖR:464 , ÖR:801 , ÖR:858

Dimensions in mm / We reserve the right to make modifications.

All rights reserved. Duplication, retransmission and any other use of this drawing is not permitted without the written consent of GAYSAN.

WELDED EYE



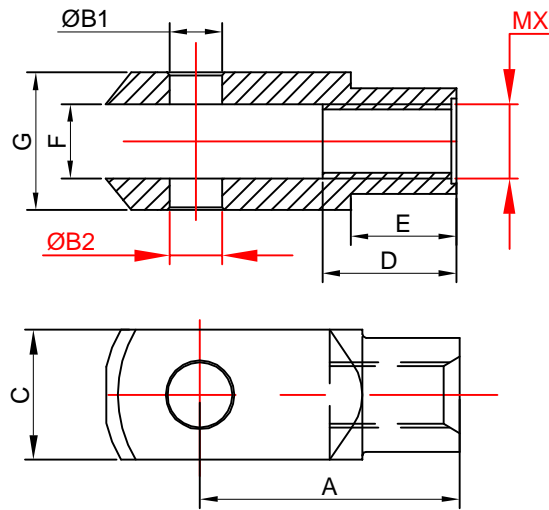
Ref. No	Dimensions (mm)					
	A	B	$\varnothing C^{+0.1}$	Rd	Re	
A01	13.5	3	6.1	6.5	13.5	
A02	13.5	3	8.1	6.5	13.5	
A03	17.5	3	6.1	7.5	17.5	
A04	17.5	3	8.1	7.5	17.5	
A05	17.5	5	6.1	7.5	17.5	
A06	17.5	5	8.1	7.5	17.5	
A16	14.5	5	8.5	7.5	17.5	
A17	17.5	5	10.1	9	18	
A18	13.5	3	6.5	6.5	13.5	
A21	17.5	5	8.1	7.5	17.5	Pin Attached
A22	17.5	5	8.1	7.5	17.5	Clip Assembled
A30	17.5	5	9.5	7.5	17.5	
A32	20.5	5	8.1	7.5	20.5	
A51	15.5	3	10.1	9.5	15.5	
A81	10.5	5	8.5	7.5	17.5	
A91	10.5	3	4.1	5	10.5	
A94	10.5	3	6.5	5	10.5	

GAYSAN drawing no ÖR:273

Dimensions in mm / We reserve the right to make modifications.

All rights reserved. Duplication, retransmission and any other use of this drawing is not permitted without the written consent of GAYSAN.

CLEVIS



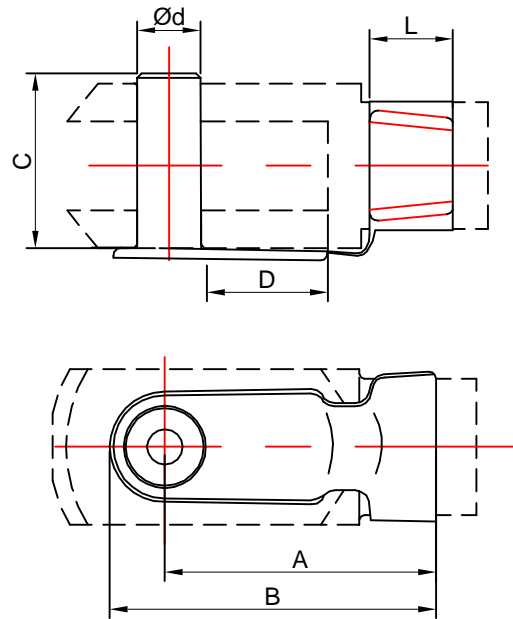
Ref. No	Dimensions (mm)								
	A	$\text{ØB1}^{+0.1}$	$\text{ØB2}^{+0.1}$	C	D	E	F	G	MX
2202	32	8.1	8.1	16	16	12	8	16	M8x1.25
2203	40	11.9	11.9	20	20	15	10.5	20	M10x1.5
2204	20	5.1	5.1	10	10.5	7	5	10	M6x1
2207	20	5.1	5.1	10	10	7.5	5	10	M5x0.8
2208	32	9.1	9.1	16	16	12	8	16	M8x1.25
2209	37	8.1	8.1	20	18	12	10.5	20	M10x1.5
2213	24	8.1	8.1	16	8	4	8	16	M8x1.25
2214	40	10.1	10.1	20	20	15	10	20	M10x1.5
2217	25	10.1	10.1	16	16	12	8	16	M8x1.25
2220	25	8.1	8.1	14	13	9	7	14	M6x1
2221	20	6.1	M6x1	10	10.5	7	5	10	M6x1
2222	20	6.1	6.1	10	10.5	7	5	10	M6x1
2224	43	8.1	M8x1.25	16	20	15	8	16	M8x1.25
2225	27	12	12	20	8	3	10	20	M10x1
2226	40	8.1	8.1	20	20	15	10	20	M10x1
2227	32	8.1	8.1	16	16	12	8	16	M6x1
2229	16	4.1	4.1	8	8	5.5	3.3	8	M4x0.7
2230	24	6.1	6.1	12	12	9	6.2	12	M6x1
2233	16	2.4	2.4	8	8	5.5	3.3	8	M4x0.7

SURFACE PROTECTION: Zinc plated and white, black or yellow passivated. (Standard application)

Dimensions in mm / We reserve the right to make modifications.

All rights reserved. Duplication, retransmission and any other use of this drawing is not permitted without the written consent of GAYSAN.

SECURING CLIP FOR THE CLEVIS



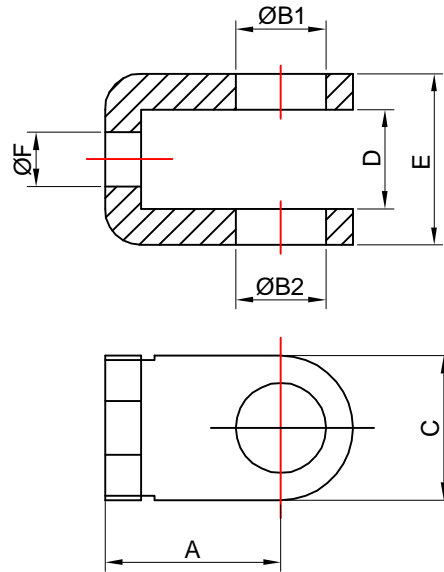
Ref. No	Dimensions (mm)					
	A	B	C	D	Ød	L
C001	22.9	28.4	14.5	13	5.9	6.1
C002	29.3	37.4	19.5	16	7.9	8.1
C003	46.4	52.5	19.5	32	7.9	8.1

SURFACE PROTECTION: Zinc plated and white, black or yellow passivated. (Standard application)

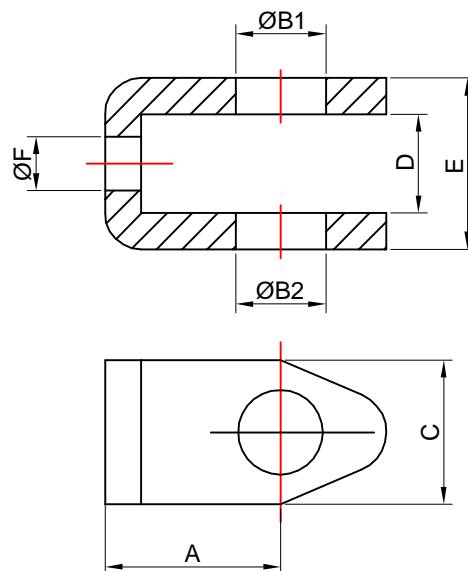
Dimensions in mm / We reserve the right to make modifications.

All rights reserved. Duplication, retransmission and any other use of this drawing is not permitted without the written consent of GAYSAN.

CLEVIS



Ref. No	Dimensions (mm)						
	A	ØB1	ØB2	C	D	E	ØF
2215	19.5	10.1	10.1	16	11	19	6
2218	19.5	8.1	M8x1.25	16	11	19	6
2228	19.5	12.1	12.1	16	11	19	6



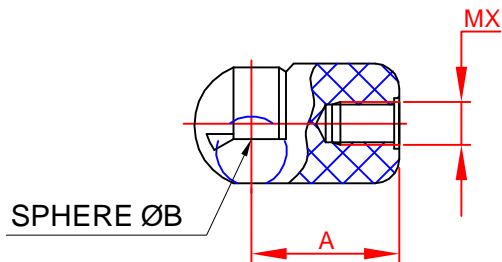
Ref. No	Dimensions (mm)						
	A	ØB1	ØB2	C	D	E	ØF
2232	19	10.1	10.1	16.5	8.5	16.5	6

SURFACE PROTECTION: Black painted.

Dimensions in mm / We reserve the right to make modifications.

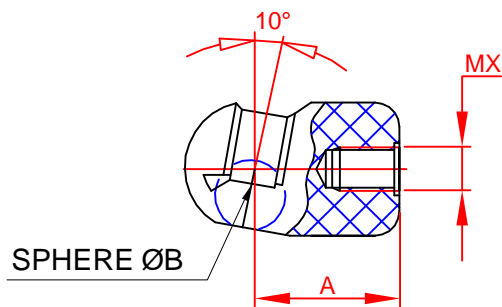
All rights reserved. Dublication, retransmission and any other use of this drawing is not permitted without the written consent of GAYSAN.

PLASTIC BALL SOCKET



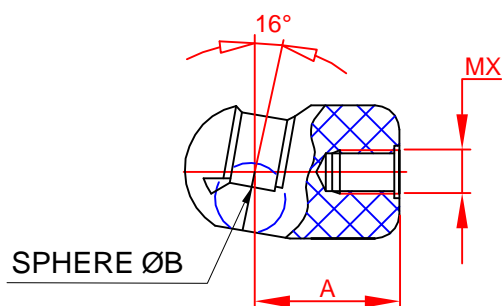
Ref. No	Dimensions (mm)		
	A	ØB	MX
3151	18	10	M6x1

10° ANGLED PLASTIC BALL SOCKET



Ref. No	Dimensions (mm)		
	A	ØB	MX
3152	18	10	M6x1

16° ANGLED PLASTIC BALL SOCKET



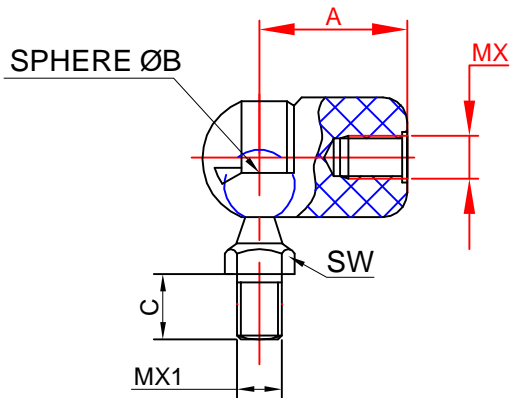
Ref. No	Dimensions (mm)		
	A	ØB	MX
3350	18	10	M6x1

GAYSAN drawing no 08-18/037, 08-18/035 , ÖR:857

Dimensions in mm / We reserve the right to make modifications.

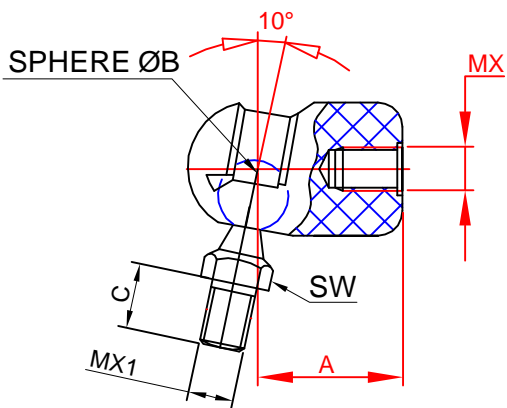
All rights reserved. Duplication, retransmission and any other use of this drawing is not permitted without the written consent of GAYSAN.

PLASTIC BALL JOINT



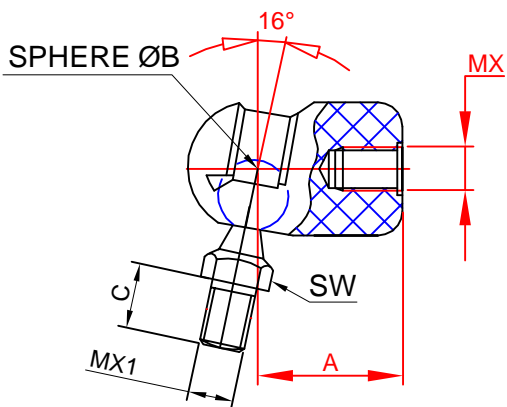
Ref. No	Dimensions (mm)					
	A	ØB	C	MX	SW	MX1
3251	18	10	11	M6x1	10	M6x1
3252	18	10	13	M6x1	13	M8x1.25
3258	18	10	16.5	M6x1	13	M8x1.25

10° ANGLED PLASTIC BALL JOINT



Ref. No	Dimensions (mm)					
	A	ØB	C	MX	SW	MX1
3253	18	10	11	M6x1	10	M6x1
3254	18	10	13	M6x1	13	M8x1.25

16° ANGLED PLASTIC BALL JOINT



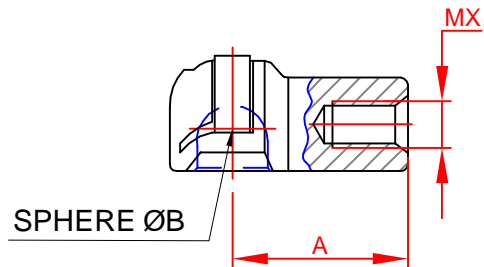
Ref. No	Dimensions (mm)					
	A	ØB	C	MX	SW	MX1
3351	18	10	10	M6x1	10	M6x1
3352	18	10	11	M6x1	10	M6x1
3353	18	10	13	M6x1	13	M8x1.25

BALL STUD: Zinc plated and white, black or yellow passivated. (Standard application)

Dimensions in mm / We reserve the right to make modifications.

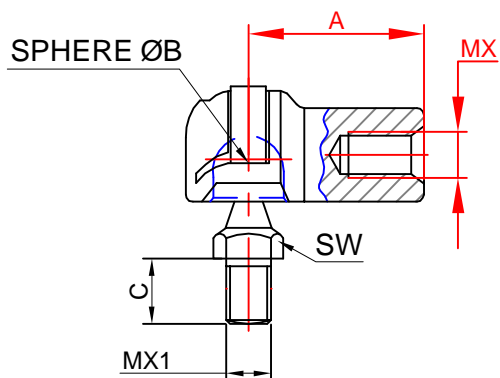
All rights reserved. Duplication, retransmission and any other use of this drawing is not permitted without the written consent of GAYSAN.

PLASTIC BALL SOCKET



Ref. No	Dimensions (mm)		
	A	ØB	MX
7525	18	10	M6x1

PLASTIC BALL JOINT



Ref. No	Dimensions (mm)					
	A	ØB	C	MX	SW	MX1
7550	18	10	11	M6x1	10	M6x1
7551	18	10	13	M6x1	13	M8x1.25
7552	18	10	16.5	M6x1	13	M8x1.25

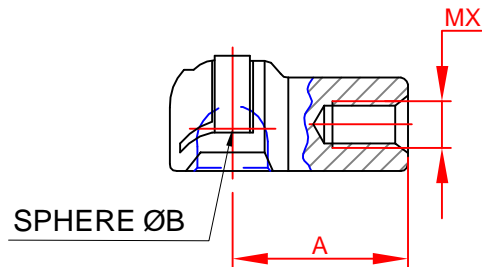
BALL STUD: Zinc plated and white, black or yellow passivated. (Standard application)

GAYSAN drawing no ÖR:619

Dimensions in mm / We reserve the right to make modifications.

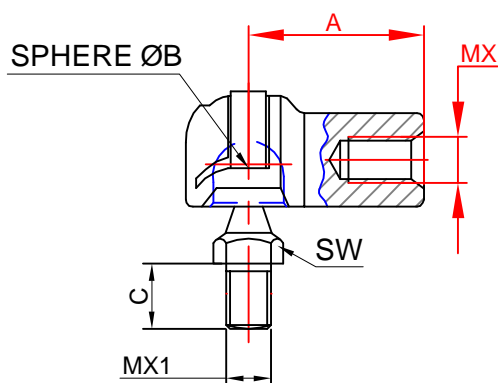
All rights reserved. Duplication, retransmission and any other use of this drawing is not permitted without the written consent of GAYSAN.

METAL BALL SOCKET



Ref. No	Dimensions (mm)		
	A	ØB	MX
MP01	19	10	M6x1

METAL BALL JOINT



Ref. No	Dimensions (mm)					
	A	ØB	C	MX	SW	MX1
MP50	19	10	11	M6x1	10	M6x1
MP51	19	10	13	M6x1	13	M8x1.25
MP52	19	10	13	M6x1	10	M6x1

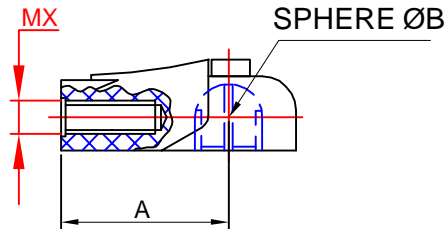
BALL STUD: Zinc plated and white, black or yellow passivated. (Standard application)

GAYSAN drawing no ÖR:559

Dimensions in mm / We reserve the right to make modifications.

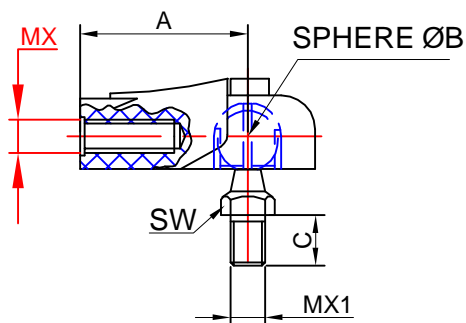
All rights reserved. Duplication, retransmission and any other use of this drawing is not permitted without the written consent of GAYSAN.

PLASTIC BALL SOCKET



Ref. No	Dimensions (mm)		
	A	ØB	MX
PM51	25	10	M6x1

PLASTIC BALL JOINT



Ref. No	Dimensions (mm)					
	A	ØB	C	MX	SW	MX1
PM53	25	10	11	M6x1	10	M6x1
PM66	25	10	13	M6x1	13	M8x1.25

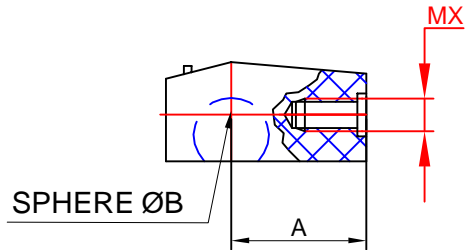
BALL STUD: Zinc plated and white, black or yellow passivated. (Standard application)

GAYSAN drawing no 08-19/039

Dimensions in mm / We reserve the right to make modifications.

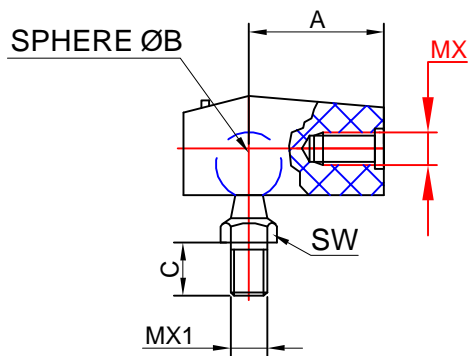
All rights reserved. Duplication, retransmission and any other use of this drawing is not permitted without the written consent of GAYSAN.

PLASTIC BALL SOCKET



Ref. No	Dimensions (mm)		
	A	ØB	MX
3161	18	10	M6x1

PLASTIC BALL JOINT



Ref. No	Dimensions (mm)					
	A	ØB	C	MX	SW	MX1
3260	18	10	11	M6x1	10	M6x1
3261	18	10	13	M6x1	13	M8x1.25

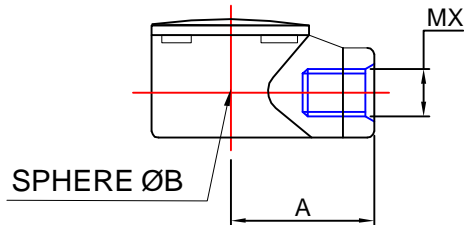
BALL STUD: Zinc plated and white, black or yellow passivated. (Standard application)

GAYSAN drawing no 06-15/018

Dimensions in mm / We reserve the right to make modifications.

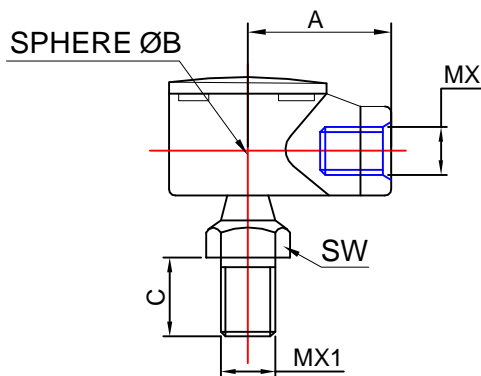
All rights reserved. Duplication, retransmission and any other use of this drawing is not permitted without the written consent of GAYSAN.

PLASTIC BALL SOCKET



Ref. No	Dimensions (mm)		
	A	ØB	MX
3153	18,5	10	M6x1

PLASTIC BALL JOINT



Ref. No	Dimensions (mm)					
	A	ØB	C	MX	SW	MX1
3169	18.5	10	10	M6x1	10	M6x1
3168	18.5	10	13	M6x1	13	M8x1.25

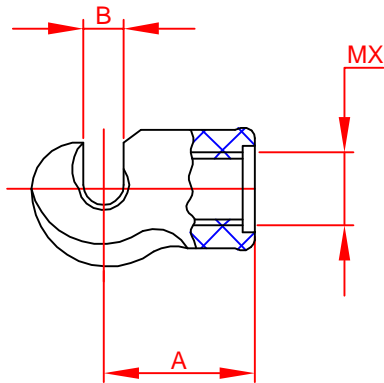
BALL STUD: Zinc plated and white, black or yellow passivated. (Standard application)

GAYSAN drawing no 06-15/018

Dimensions in mm / We reserve the right to make modifications.

All rights reserved. Duplication, retransmission and any other use of this drawing is not permitted without the written consent of GAYSAN.

PLASTIC HOOK

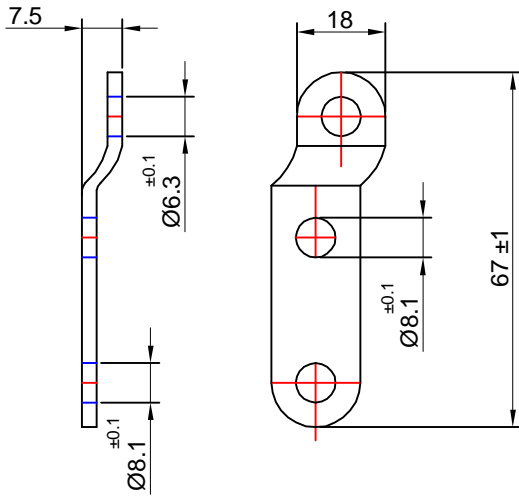


Ref. No	Dimensions (mm)		
	A	B	MX
3162	13,5	4.8	M6x1

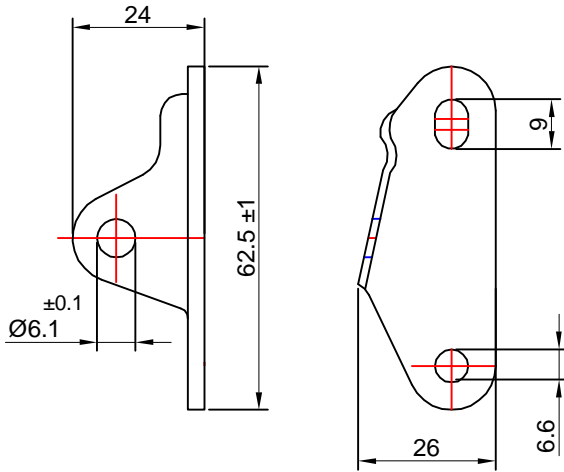
GAYSAN drawing no ÖR:031

Dimensions in mm / We reserve the right to make modifications.
All rights reserved. Duplication, retransmission and any other use of this drawing is not permitted without the written consent of GAYSAN.

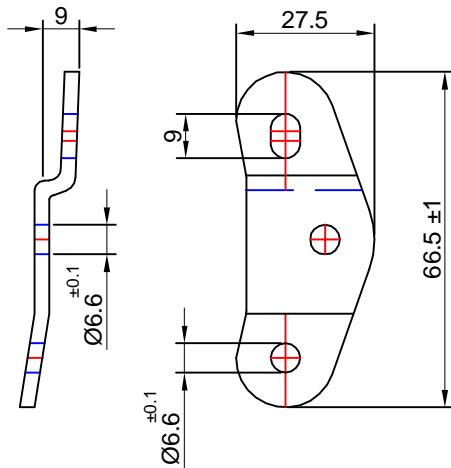
LIFT BRACKETS



Ref.No	Direction
OR-039	Right
OR-040	Left



Ref.No	Direction
OR-076	Right
OR-077	Left

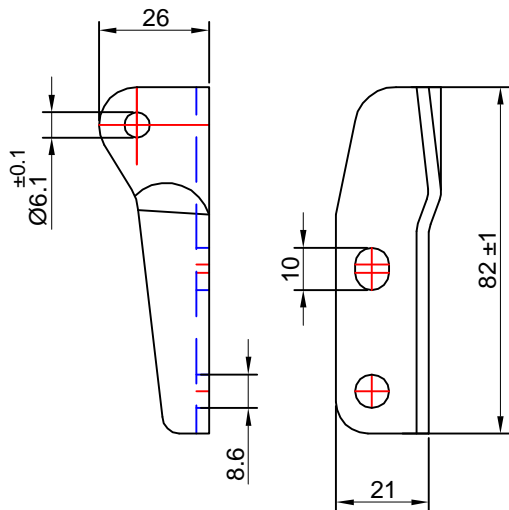


Ref.No	Direction
OR-078	Right
OR-079	Left

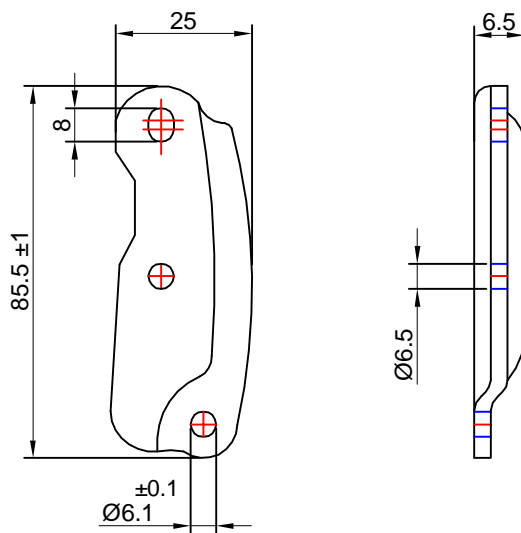
SURFACE PROTECTION: Black painted.

Dimensions in mm / We reserve the right to make modifications.
 All rights reserved. Dublication, retransmission and any other use of this drawing is not permitted without the written consent of GAYSAN.

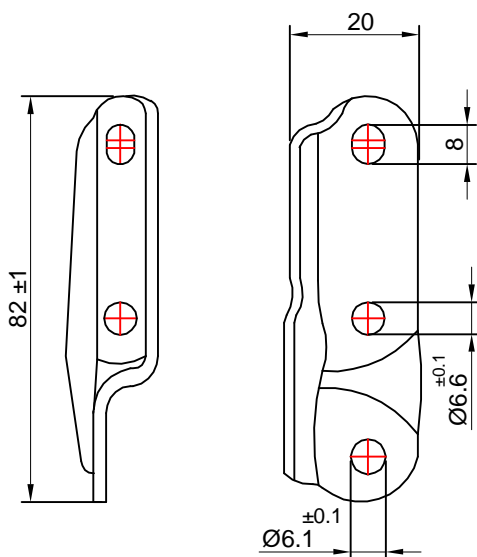
LIFT BRACKETS



Ref.No	Direction
OR-082	Left
OR-083	Right



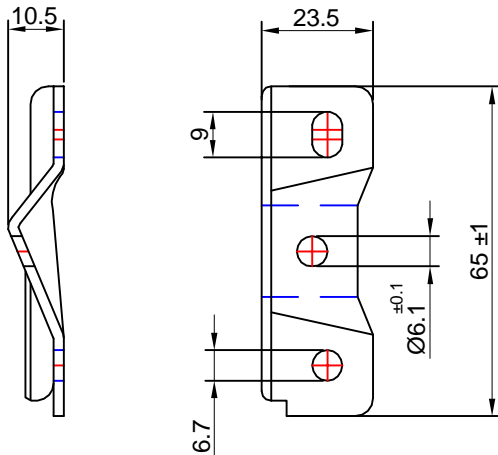
Ref.No	Direction
OR-098	Left
OR-099	Right



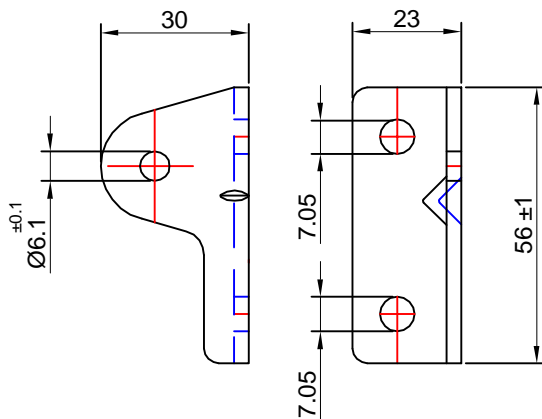
Ref.No	Direction
OR-100	Left
OR-101	Right

SURFACE PROTECTION: Black painted.

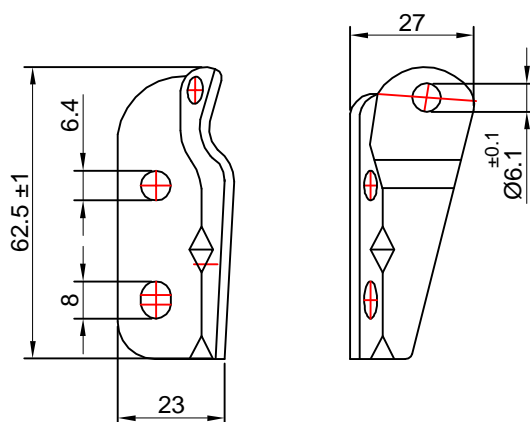
LIFT BRACKETS



Ref.No	Direction
OR-141	Right
OR-142	Left



Ref.No	Direction
OR-197	Right
OR-198	Left

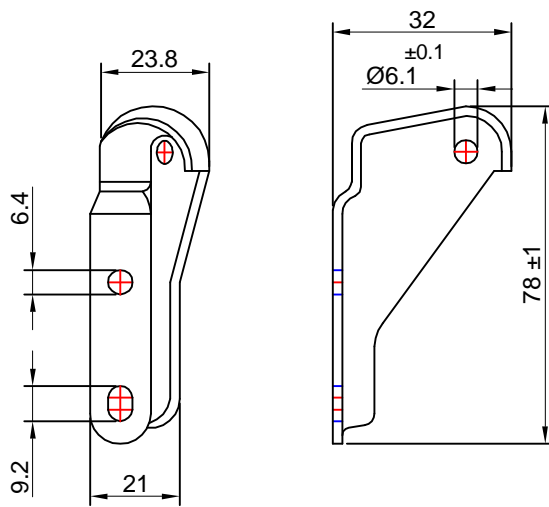


Ref.No	Direction
OR-247	Left
OR-248	Right

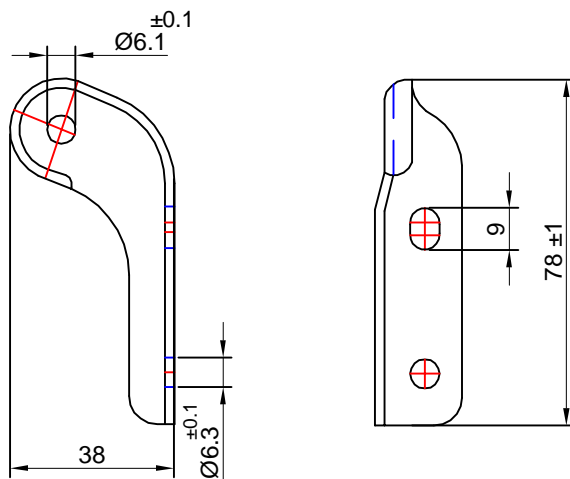
SURFACE PROTECTION: Black painted.

Dimensions in mm / We reserve the right to make modifications.
 All rights reserved. Dublication, retransmission and any other use of this drawing is not permitted without the written consent of GAYSAN.

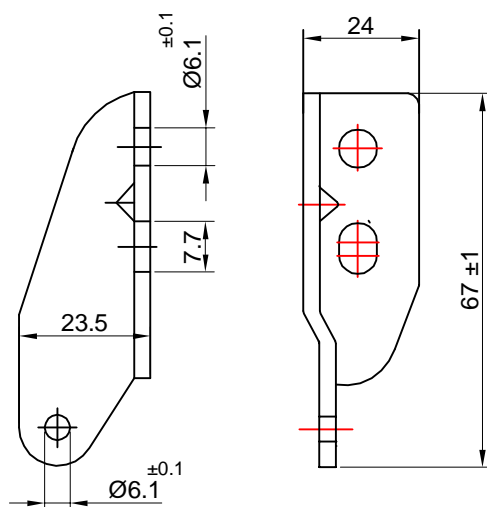
LIFT BRACKETS



Ref.No	Direction
OR-261	Left
OR-262	Right



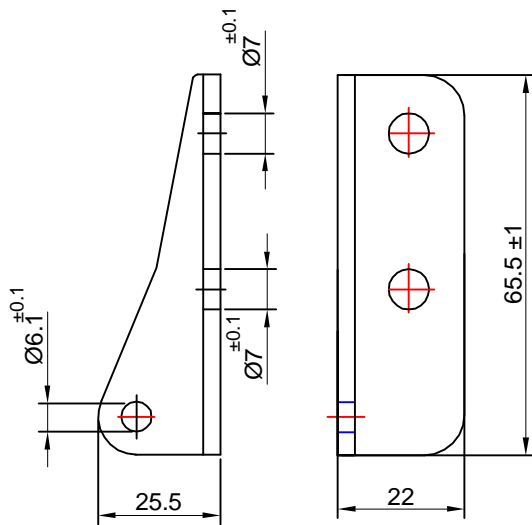
Ref.No	Direction
OR-274	Right
OR-275	Left



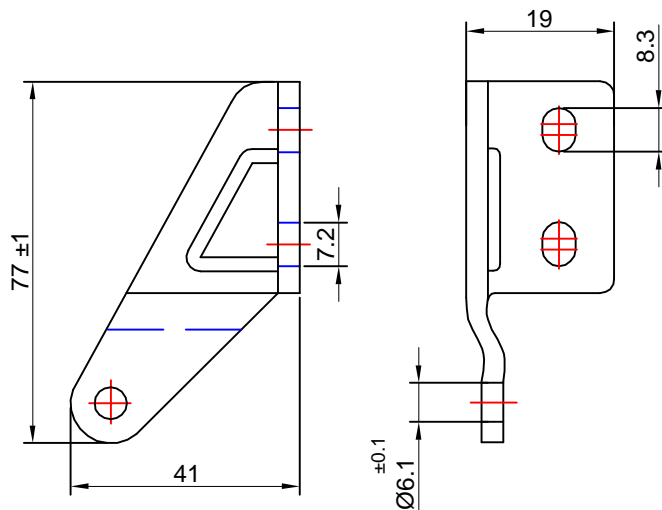
Ref.No	Direction
OR-348	Left
OR-349	Right

SURFACE PROTECTION: Black painted.

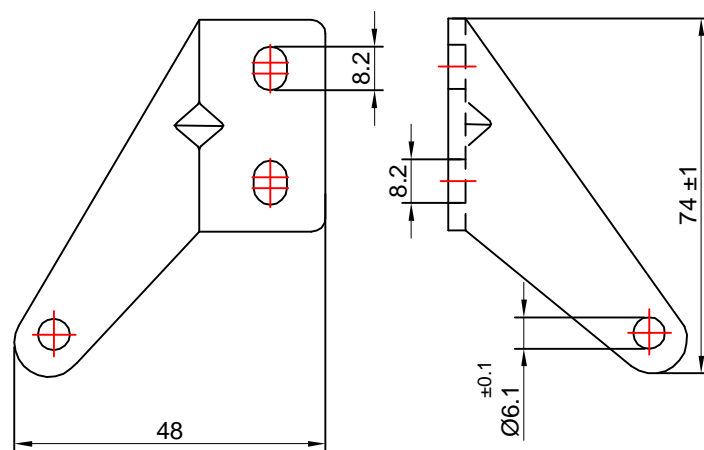
LIFT BRACKETS



Ref.No	Direction
OR-351	Left
OR-352	Right



Ref.No	Direction
OR-354	Left
OR-355	Right



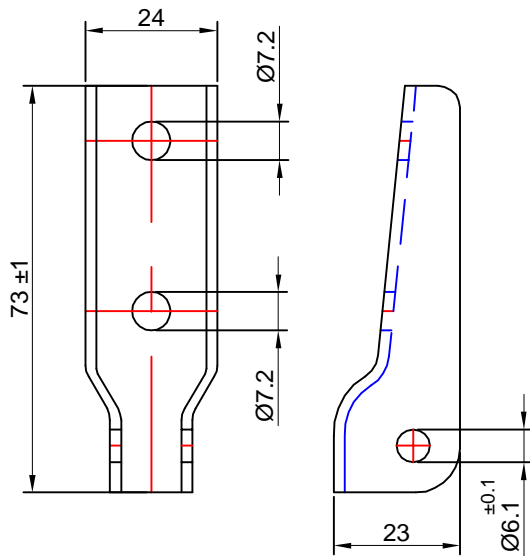
Ref.No	Direction
OR-356	Left
OR-357	Right

SURFACE PROTECTION: Black painted.

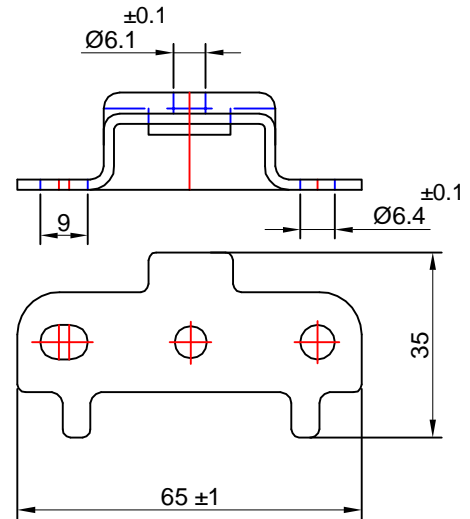
Dimensions in mm / We reserve the right to make modifications.

All rights reserved. Duplication, retransmission and any other use of this drawing is not permitted without the written consent of GAYSAN.

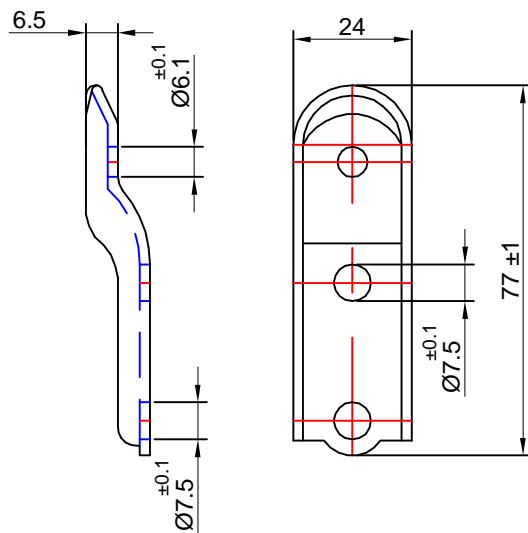
LIFT BRACKETS



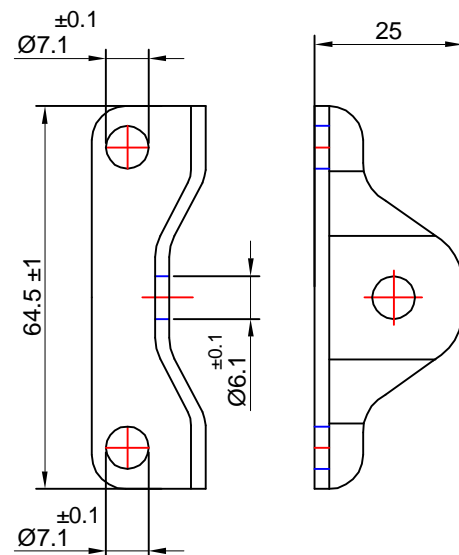
Ref.No	OR-150
--------	--------



Ref.No	OR-276
--------	--------



Ref.No	OR-277
--------	--------



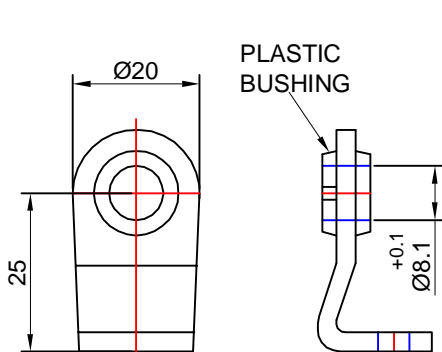
Ref.No	OR-290
--------	--------

SURFACE PROTECTION: Black painted.

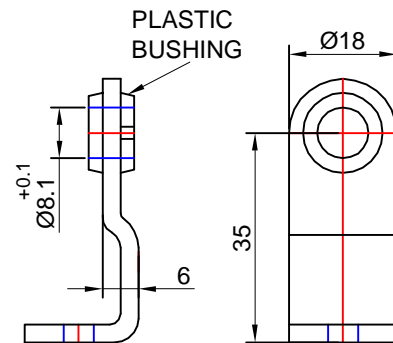
Dimensions in mm / We reserve the right to make modifications.

All rights reserved. Duplication, retransmission and any other use of this drawing is not permitted without the written consent of GAYSAN.

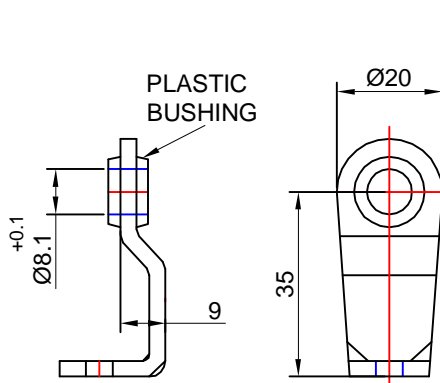
LIFT END FITTING



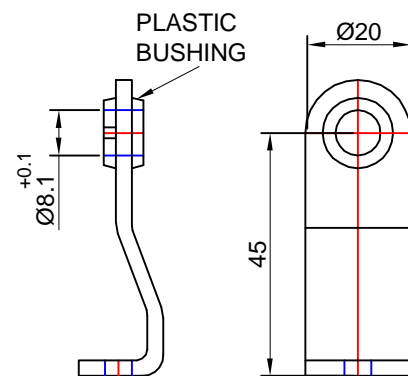
Ref.No	OR-054
--------	--------



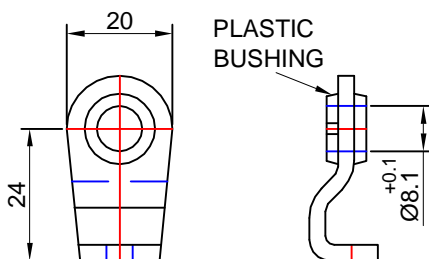
Ref.No	OR-071
--------	--------



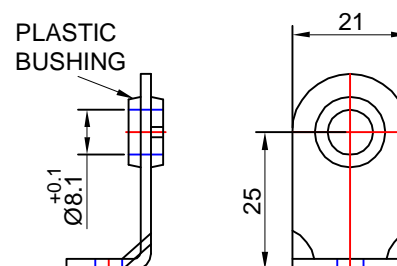
Ref.No	OR-072
--------	--------



Ref.No	OR-080
--------	--------



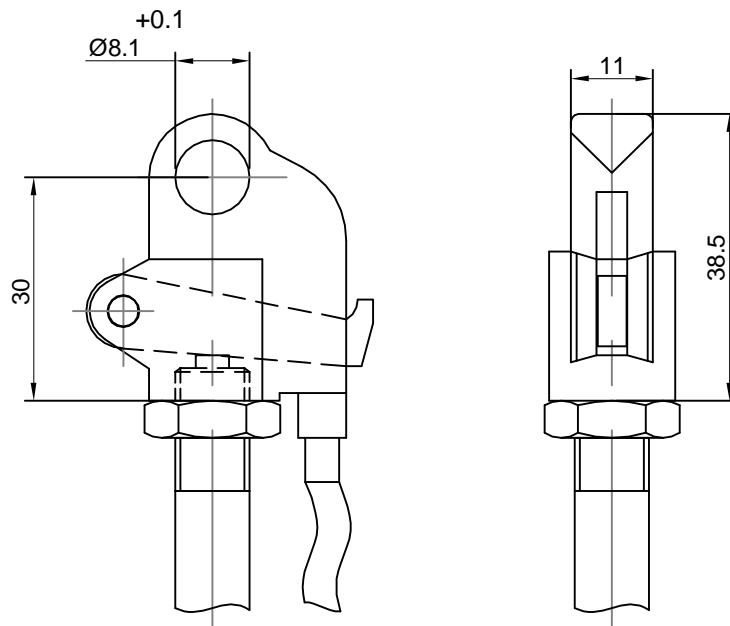
Ref.No	OR-226
--------	--------



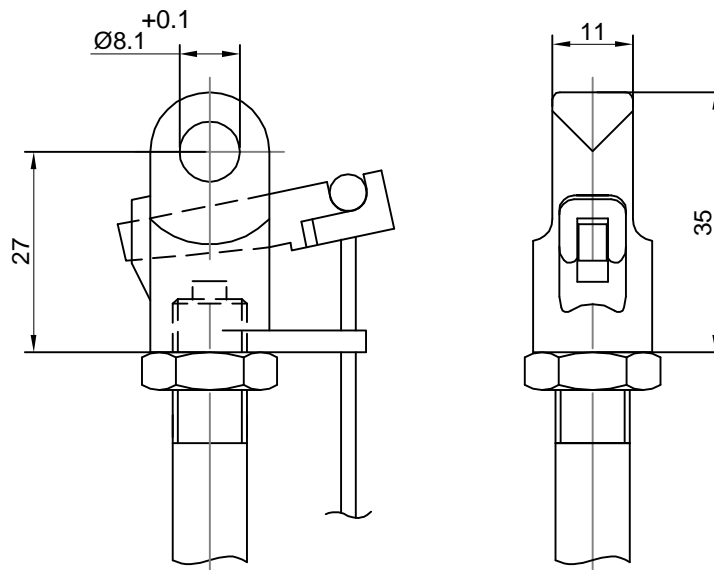
Ref.No	OR-246
--------	--------

SURFACE PROTECTION: Black painted.

BLOCKLIFT BRACKETS



REF NO : B100



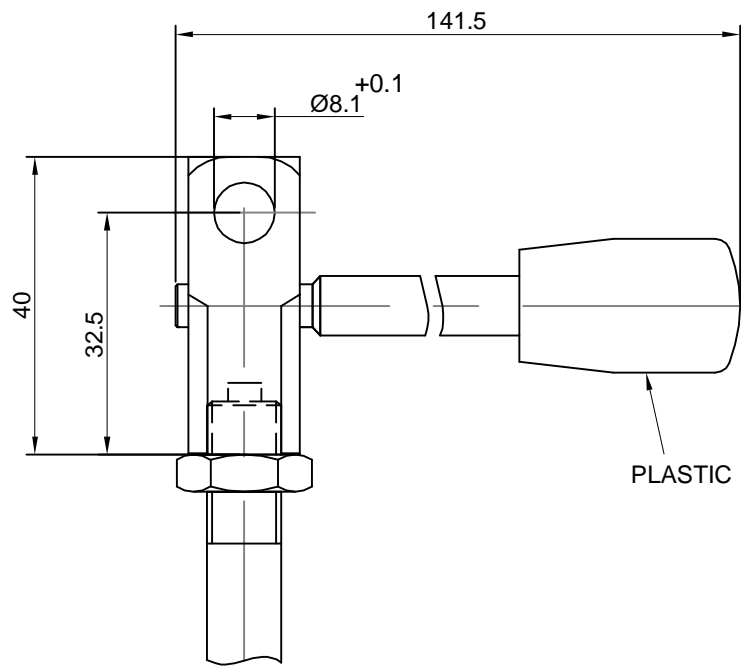
REF NO : B101

GAYSAN drawing no ÖR:426 , ÖR:429

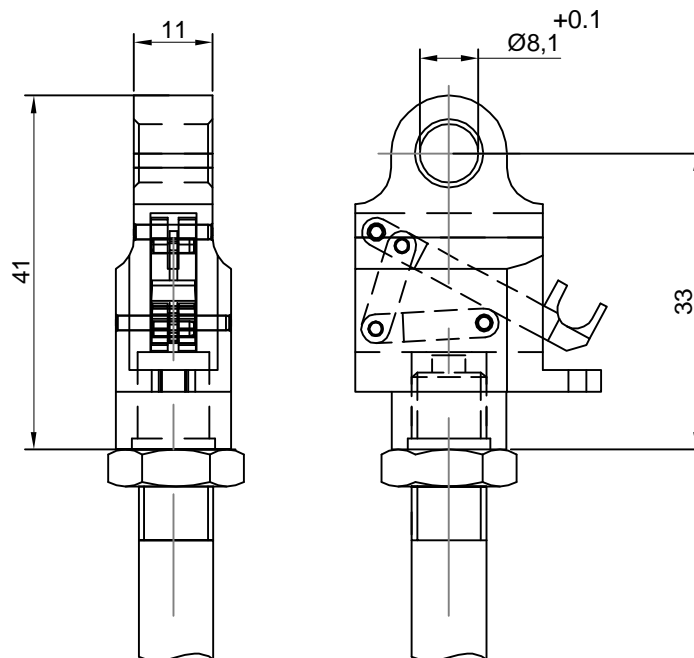
Dimensions in mm / We reserve the right to make modifications.

All rights reserved. Duplication, retransmission and any other use of this drawing is not permitted without the written consent of GAYSAN.

BLOCKLIFT BRACKETS



REF NO : B102



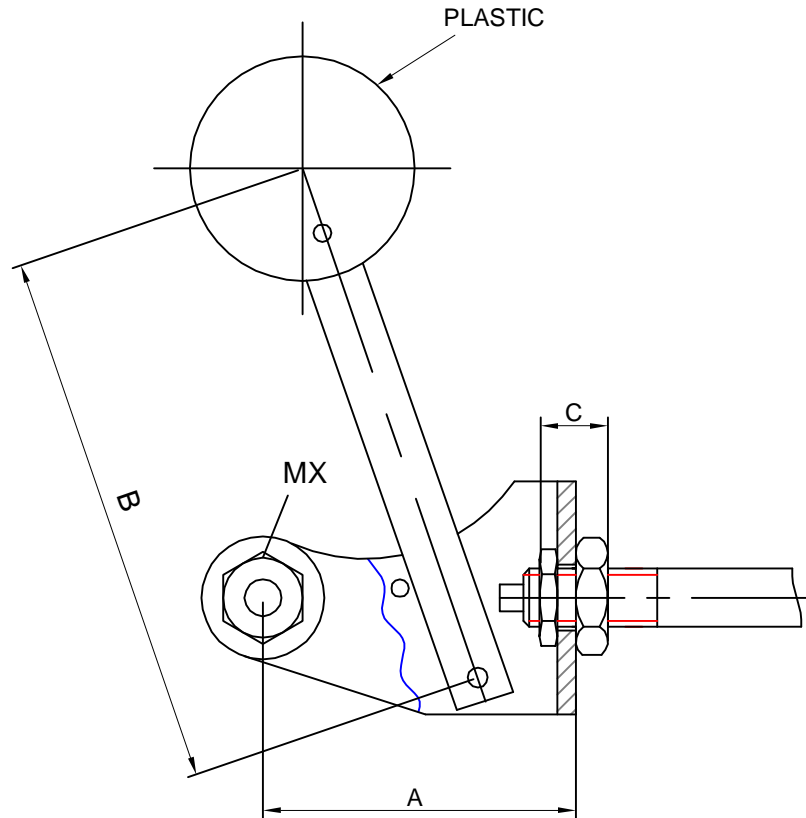
REF NO : B104

GAYSAN drawing no ÖR:461 , ÖR:847

Dimensions in mm / We reserve the right to make modifications.

All rights reserved. Duplication, retransmission and any other use of this drawing is not permitted without the written consent of GAYSAN.

BLOCKLIFT BRACKETS



Ref. No	Dimensions (mm)			
	A	B	C	MX
LONG HAND RIGHT	50	215.5	13	M8x1.25
LONG HAND LEFT	50	215.5	13	M8x1.25
SHORT HAND RIGHT	50	115.5	13	M8x1.25
SHORT HAND LEFT	50	115.5	13	M8x1.25

SURFACE PROTECTION: Zinc plated and white, black or yellow passivated. (Standard application)

GAYSAN drawing no 10-22/010

Dimensions in mm / We reserve the right to make modifications.

All rights reserved. Duplication, retransmission and any other use of this drawing is not permitted without the written consent of GAYSAN.