



**GAYSAN**  
Gas Springs

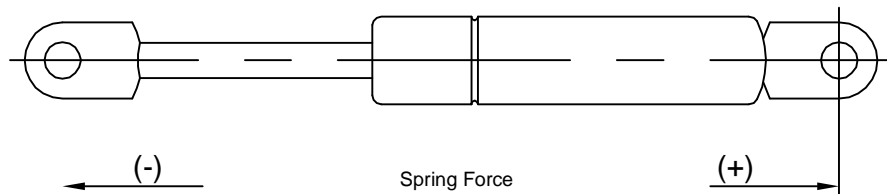
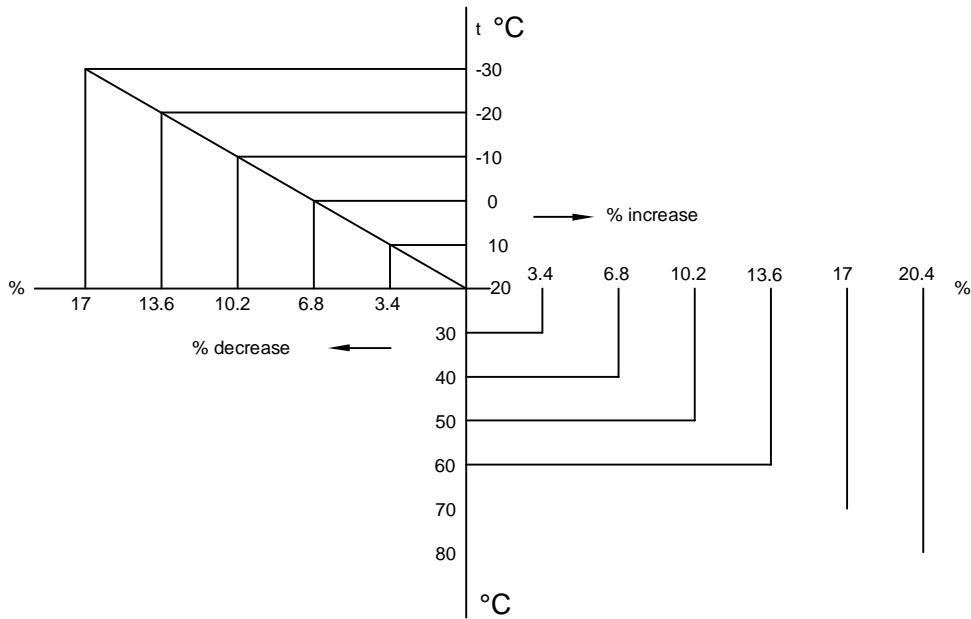
BAĞLANTI KATALOĞU

END FITTINGS CATALOG

## INDEX

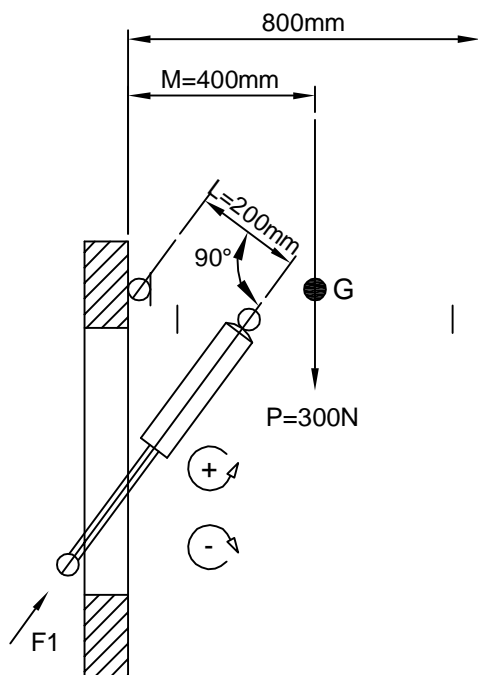
FORCE VARIATION WITH TEMPERATURE.....	PAGE 1/186 - 1/186
CALCULATION OF GAS SPRING FORCE.....	PAGE 1/186 - 1/186
TECHNICAL INFORMATION.....	PAGE 2/186 - 2/186
BLOCKLIFT TECHNICAL INFORMATION.....	PAGE 3/186 - 3/186
ORDERING EXAMPLE.....	PAGE 4/186 - 4/186
STANDARD LIFT.....	PAGE 5/186 - 66/186
VALVE LIFT.....	PAGE 67/186 - 112/186
STAINLESS STEEL LIFT.....	PAGE 113/186 - 147/186
DAMPERS LIFT.....	PAGE 148/186 - 154/186
TRACTION LIFT.....	PAGE 155/186 - 162/186
BLOCK LIFT.....	PAGE 163/186 - 186/186

## FORCE VARIATION WITH TEMPERATURE



Gas springs are manufactured at a temperature of 20°C  
 Compressed gas react very strongly to temperature changes  
 So that the spring force rises and falls according to the temperature variation  
 The above diagram shows how many percent the gas spring forces deviate from the standart filling pressure  
 3.4%per 10°C variation from the nominal temperature

## CALCULATION OF GAS SPRING FORCE



- G: CENTRE OF GRAVITY
- M: HORIZONTAL DISTANCE FROM CENTRE OF GRAVITY TO PIVOT CENTRE
- X: NUMBER OF GAS SPRING
- P: WEIGHT OF FLAP
- F1: GAS SPRING FORCE
- L: DISTANCE FROM THE GAS SPRING TO PIVOT CENTRE

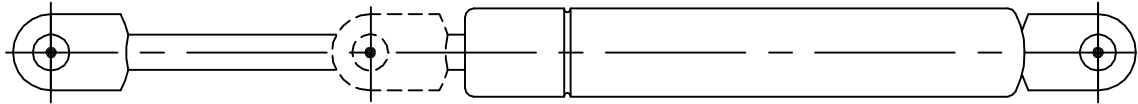
$$F1(N) = \frac{P \cdot M}{X \cdot L} + (10 \sim 15\%)$$

$$F1(N) = \frac{300N \times 400mm}{2 \times 200mm} + \%10 = 330N$$

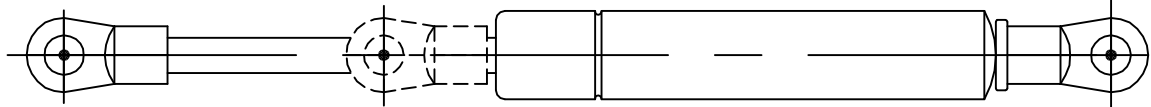
$$F1 = 330N$$

# LIFT TECHNICAL INFORMATION

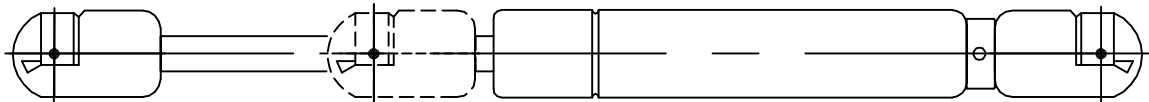
WELDED EYES LIFT



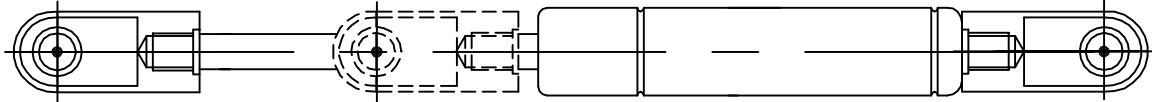
THREADED ENDS LIFT



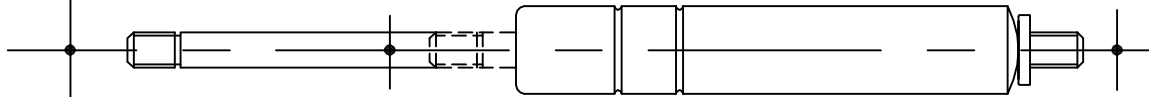
VALVE LIFT



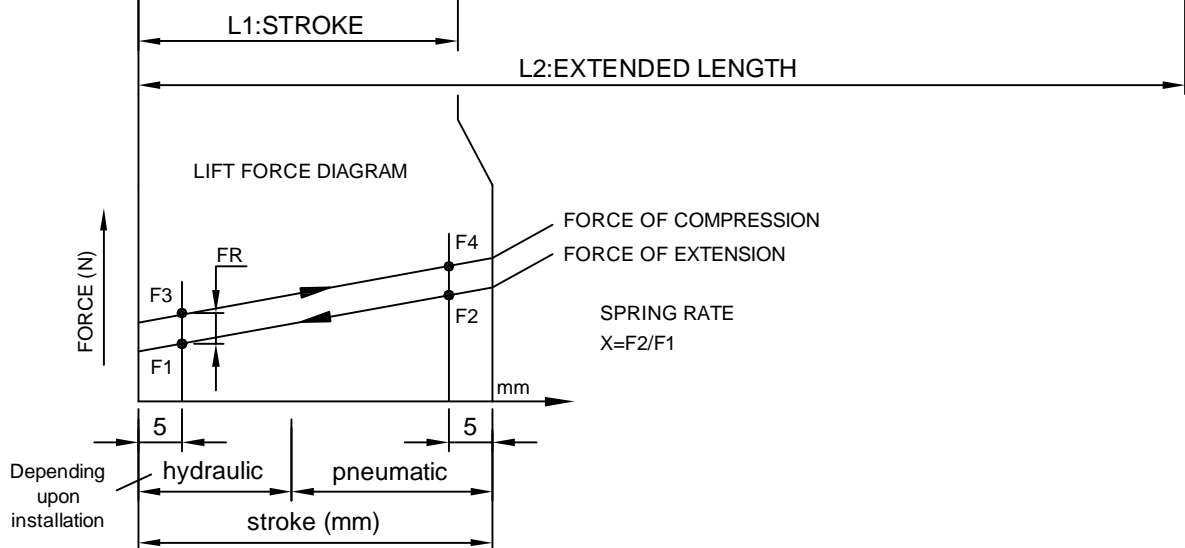
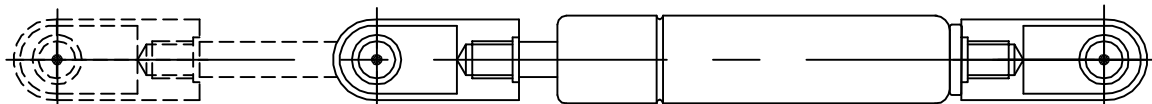
STAINLESS STEEL LIFT



DAMPERS LIFT



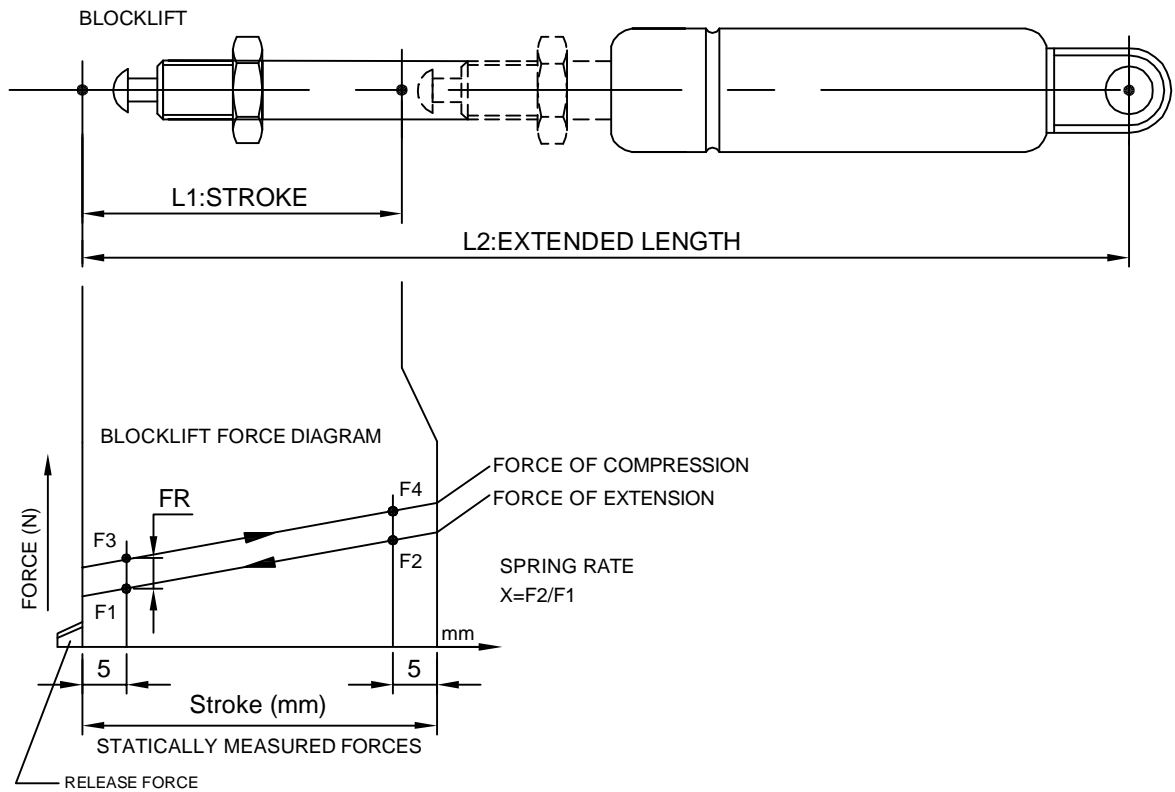
TRACTION LIFT



**On the load-Displacement curve**

- Force F1 during extension : at 5mm before position corresponding to maximum rod extension
- Force F2 during extension : at 5mm after position corresponding to max. rod compression stroke.
- Force F3 during compression : at 5mm after position corresponding to rod full extension
- Force F4 during compression : at 5mm before position corresponding to maximum rod compression specified on drawing

# BLOCKLIFT TECHNICAL INFORMATION

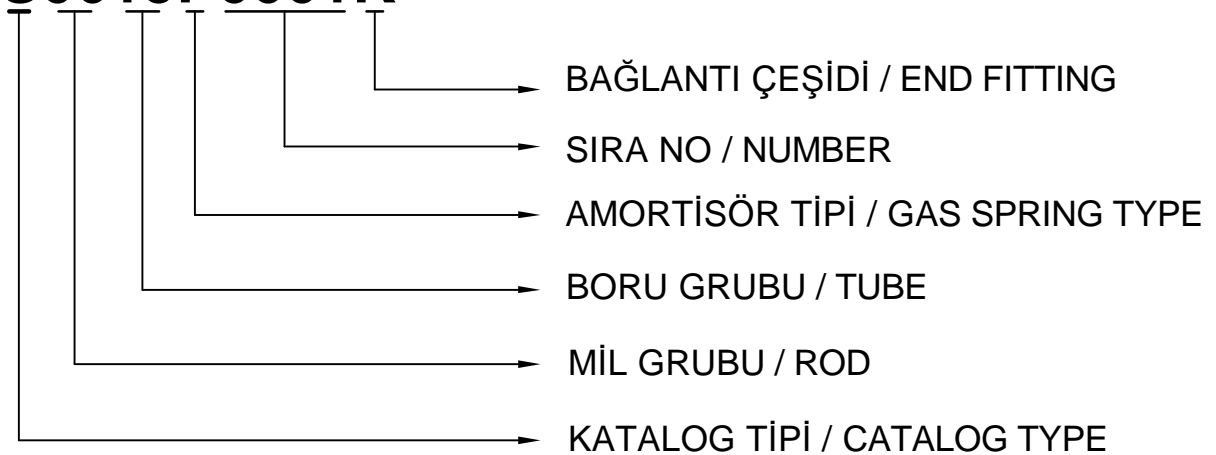


On the load-Displacement curve :

- Force F1 during extention : at 5mm before position corresponding to maximum rod extention
- Force F2 during extention : at 5mm after position corresponding to max. rod compression stroke.
- Force F3 during compression : at 5mm after position corresponding to rod full extention
- Force F4 during compression : at 5mm before position corresponding to maximum rod compression specified on drawing

### LIFT ORDERING EXAMPLE

## S0615P0001K



### BLOCKLIFT ORDERING EXAMPLE

## S1027B0001R



#### BAĞLANTI ÇEŞİDİ / END FITTING

K: KAYNAK / WELDED  
M: MUYLU / THREADED  
P: PLASTİK / PLASTIC  
D: DİŞ / NONE  
Z: ZAMAK / ZAMAK

#### KATALOG TİPİ / CATALOG TYPE

S: SANAYİİ / INDUSTRY  
A: OTOMOTİV / AUTOMOTIVE  
M: MOBİLYA / FURNITURE

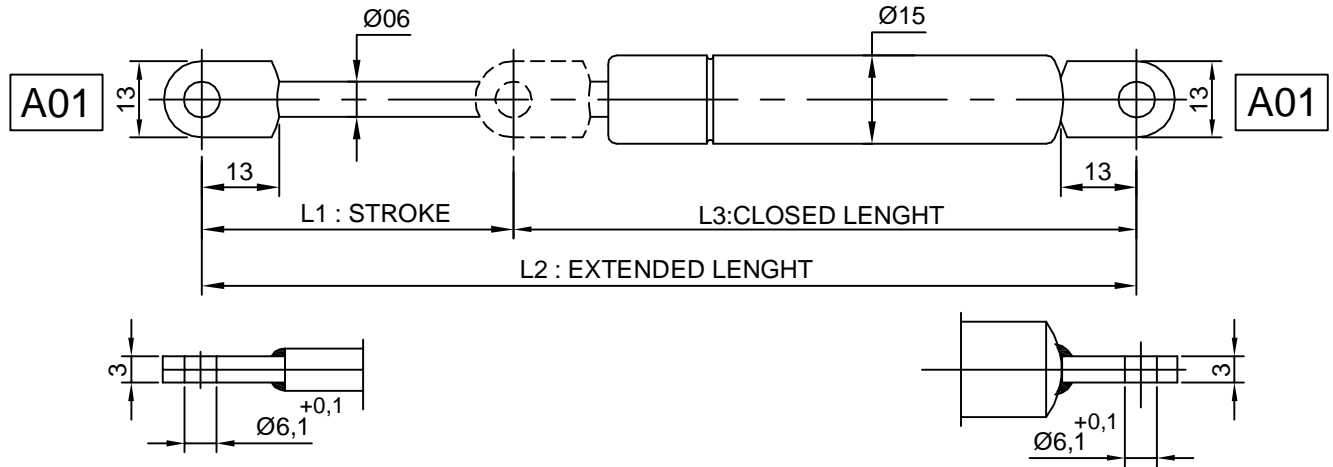
#### AMORTİSÖR TİPİ / GAS SPRING TYPE

P: PASLANMAZ / STAINLESS STEEL  
S: STANDART / STANDARD  
D: DAMPERLİ / SHOCK ABSORBER  
V: VENTİLLİ / VALVE  
Ç: ÇEKME / TRACTION  
B: BLOKLIFT / BLOCKLIFT

#### BLOKLAMA TİPİ / BLOCKING TYPE

E: ESNEK / ELASTIC  
R: RIJIT / RIGID

## 06-15 WELDED EYES LIFT



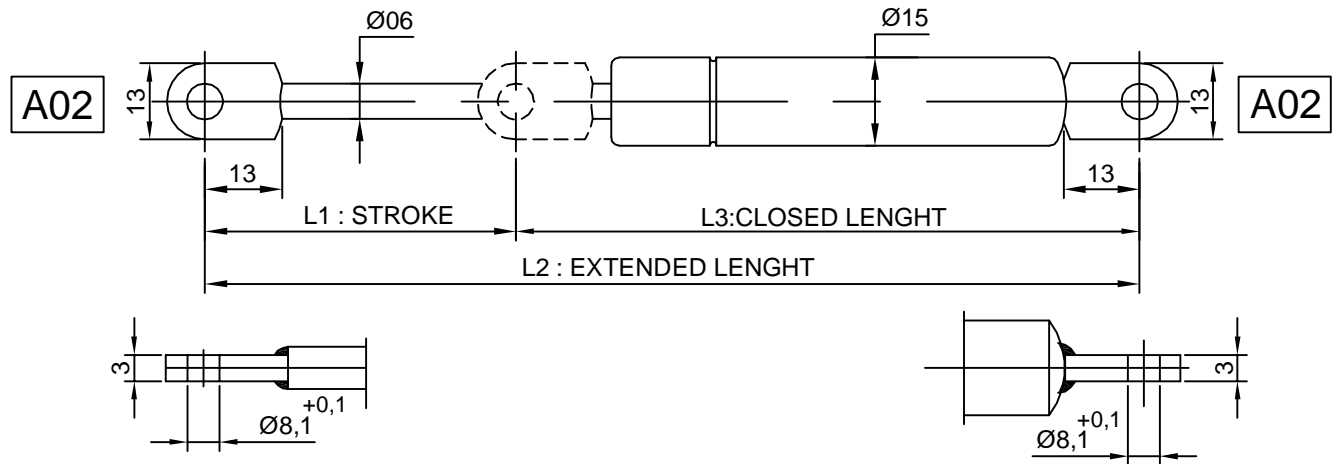
Ref.No.	F1 ( N )	L1 Stroke Strok	L2 Extended Lenght Açık Boy	L3 Closed Lenght Kapalı Boy
S0615S0001K	50	20	110	90
S0615S0002K	100			
S0615S0003K	150			
S0615S0004K	200			
S0615S0005K	250			
S0615S0006K	300			
S0615S0007K	350			
S0615S0008K	400			
S0615S0009K	50			
S0615S0010K	100			
S0615S0011K	150			
S0615S0012K	200			
S0615S0013K	250			
S0615S0014K	300			
S0615S0015K	350			
S0615S0016K	400			
S0615S0017K	50	60	190	130
S0615S0018K	100			
S0615S0019K	150			
S0615S0020K	200			
S0615S0021K	250			
S0615S0022K	300			
S0615S0023K	350			
S0615S0024K	400			
S0615S0025K	50			
S0615S0026K	100			
S0615S0027K	150			
S0615S0028K	200			
S0615S0029K	250			
S0615S0030K	300			
S0615S0031K	350			
S0615S0032K	400			

Ref.No.	F1 ( N )	L1 Stroke Strok	L2 Extended Lenght Açık Boy	L3 Closed Lenght Kapalı Boy
S0615S0033K	50	100	270	170
S0615S0034K	100			
S0615S0035K	150			
S0615S0036K	200			
S0615S0037K	250			
S0615S0038K	300			
S0615S0039K	350			
S0615S0040K	400			
S0615S0041K	50			
S0615S0042K	100			
S0615S0043K	150			
S0615S0044K	200			
S0615S0045K	250			
S0615S0046K	300			
S0615S0047K	350			
S0615S0048K	400			
S0615S0049K	50	150	370	220
S0615S0050K	100			
S0615S0051K	150			
S0615S0052K	200			
S0615S0053K	250			
S0615S0054K	300			
S0615S0055K	350			

GAYSAN LIFT AMORTİSÖRÜ STANDARTLARI / GAYSAN GAS SPRING LIFT STANDARDS											
STROKE STROK (mm)	25-50	51-100	101-150	151-200	201-250	251-300	301-350	351-400	401-450	451-500	501- →
DAMPENING FRENLEME (mm) 25	15	20	25	30	35	40	45	50	55	60	65
EXTENSION SPEED AÇILMA HIZI (mm/sn)	100-300										
ROD / TUBE END FITTINGS MİL / BORU BAĞLANTISI	GAYSAN END FITTING CATALOG / GAYSAN BAĞLANTI KATALOĞU										

Dimensions in mm / We reserve the right to make modifications. Ölçülerde değişiklik yapma hakkımız saklıdır.

## 06-15 WELDED EYES LIFT



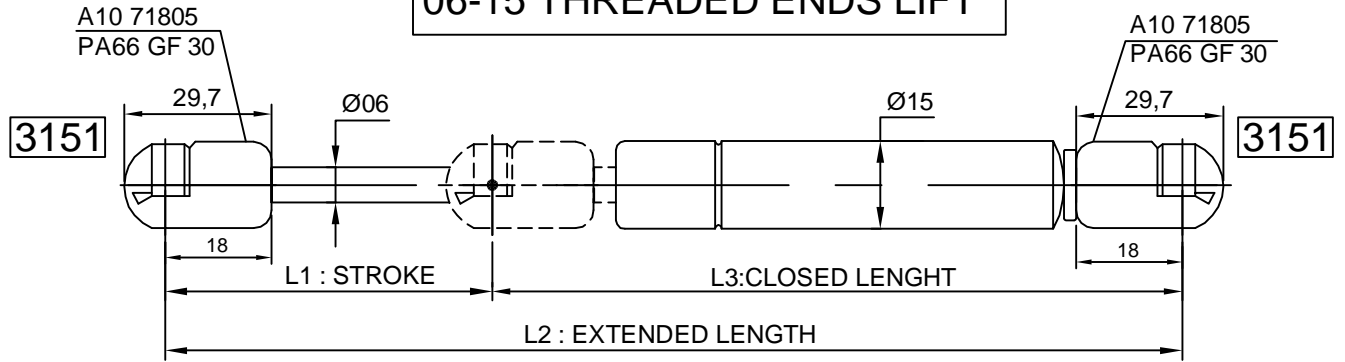
Ref.No.	F1 ( N )	L1 Stroke Strok	L2 Extended Lenght Açık Boy	L3 Closed Lenght Kapalı Boy
S0615S0101K	50	20	110	90
S0615S0102K	100			
S0615S0103K	150			
S0615S0104K	200			
S0615S0105K	250			
S0615S0106K	300			
S0615S0107K	350			
S0615S0108K	400			
S0615S0109K	50			
S0615S0110K	100			
S0615S0111K	150			
S0615S0112K	200			
S0615S0113K	250			
S0615S0114K	300			
S0615S0115K	350			
S0615S0116K	400			
S0615S0117K	50	60	190	130
S0615S0118K	100			
S0615S0119K	150			
S0615S0120K	200			
S0615S0121K	250			
S0615S0122K	300			
S0615S0123K	350			
S0615S0124K	400			
S0615S0125K	50			
S0615S0126K	100			
S0615S0127K	150			
S0615S0128K	200			
S0615S0129K	250			
S0615S0130K	300			
S0615S0131K	350			
S0615S0132K	400			

Ref.No.	F1 ( N )	L1 Stroke Strok	L2 Extended Lenght Açık Boy	L3 Closed Lenght Kapalı Boy
S0615S0133K	50	100	270	170
S0615S0134K	100			
S0615S0135K	150			
S0615S0136K	200			
S0615S0137K	250			
S0615S0138K	300			
S0615S0139K	350			
S0615S0140K	400			
S0615S0141K	50			
S0615S0142K	100			
S0615S0143K	150			
S0615S0144K	200			
S0615S0145K	250			
S0615S0146K	300			
S0615S0147K	350			
S0615S0148K	400			
S0615S0149K	50	150	370	220
S0615S0150K	100			
S0615S0151K	150			
S0615S0152K	200			
S0615S0153K	250			
S0615S0154K	300			
S0615S0155K	350			

GAYSAN LIFT AMORTİSÖRÜ STANDARTLARI / GAYSAN GAS SPRING LIFT STANDARDS												
STROKE STROK (mm)	25-50	51-100	101-150	151-200	201-250	251-300	301-350	351-400	401-450	451-500	501- →	
DAMPENING FRENLEME (mm) 25	15	20	25	30	35	40	45	50	55	60	65	
EXTENSION SPEED AÇILMA HIZI (mm/sn)	100-300											
ROD / TUBE END FITTINGS MİL / BORU BAĞLANTISI	GAYSAN END FITTING CATALOG / GAYSAN BAĞLANTI KATALOĞU											

Dimensions in mm / We reserve the right to make modifications. Ölçülerde değişiklik yapma hakkımız saklıdır.

## 06-15 THREADED ENDS LIFT



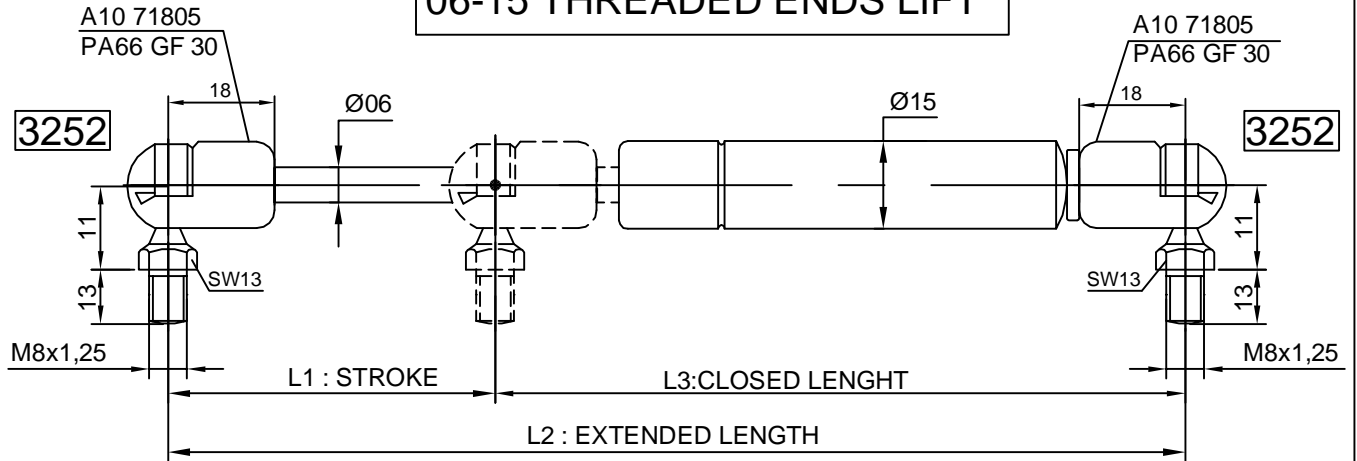
Ref.No.	F1 ( N )	L1 Stroke Strok	L2 Extended Lenght Açık Boy	L3 Closed Lenght Kapalı Boy
S0615S0001P	50	20	120	100
S0615S0002P	100			
S0615S0003P	150			
S0615S0004P	200			
S0615S0005P	250			
S0615S0006P	300			
S0615S0007P	350			
S0615S0008P	400			
S0615S0009P	50			
S0615S0010P	100	40	160	120
S0615S0011P	150			
S0615S0012P	200			
S0615S0013P	250			
S0615S0014P	300			
S0615S0015P	350			
S0615S0016P	400			
S0615S0017P	50	60	200	140
S0615S0018P	100			
S0615S0019P	150			
S0615S0020P	200			
S0615S0021P	250			
S0615S0022P	300			
S0615S0023P	350			
S0615S0024P	400			
S0615S0025P	50			
S0615S0026P	100			
S0615S0027P	150			
S0615S0028P	200			
S0615S0029P	250			
S0615S0030P	300			
S0615S0031P	350			
S0615S0032P	400			

Ref.No.	F1 ( N )	L1 Stroke Strok	L2 Extended Lenght Açık Boy	L3 Closed Lenght Kapalı Boy
S0615S0033P	50	100	280	180
S0615S0034P	100			
S0615S0035P	150			
S0615S0036P	200			
S0615S0037P	250			
S0615S0038P	300			
S0615S0039P	350			
S0615S0040P	400			
S0615S0041P	50			
S0615S0042P	100			
S0615S0043P	150			
S0615S0044P	200			
S0615S0045P	250			
S0615S0046P	300			
S0615S0047P	350			
S0615S0048P	400			
S0615S0049P	50	150	380	230
S0615S0050P	100			
S0615S0051P	150			
S0615S0052P	200			
S0615S0053P	250			
S0615S0054P	300			
S0615S0055P	350			

GAYSAN LIFT AMORTİSÖRÜ STANDARTLARI / GAYSAN GAS SPRING LIFT STANDARDS											
STROKE ŞTOK (mm)	25-50	51-100	101-150	151-200	201-250	251-300	301-350	351-400	401-450	451-500	501- →
DAMPENING FRENLEME (mm) 25	15	20	25	30	35	40	45	50	55	60	65
EXTENSION SPEED AÇILMA HIZI (mm/sn)	100-300										
ROD / TUBE END FITTINGS MİL / BORU BAĞLANTISI	GAYSAN END FITTING CATALOG / GAYSAN BAĞLANTI KATALOĞU										

Dimensions in mm / We reserve the right to make modifications. Ölçülerde değişiklik yapma hakkımız saklıdır.

## 06-15 THREADED ENDS LIFT

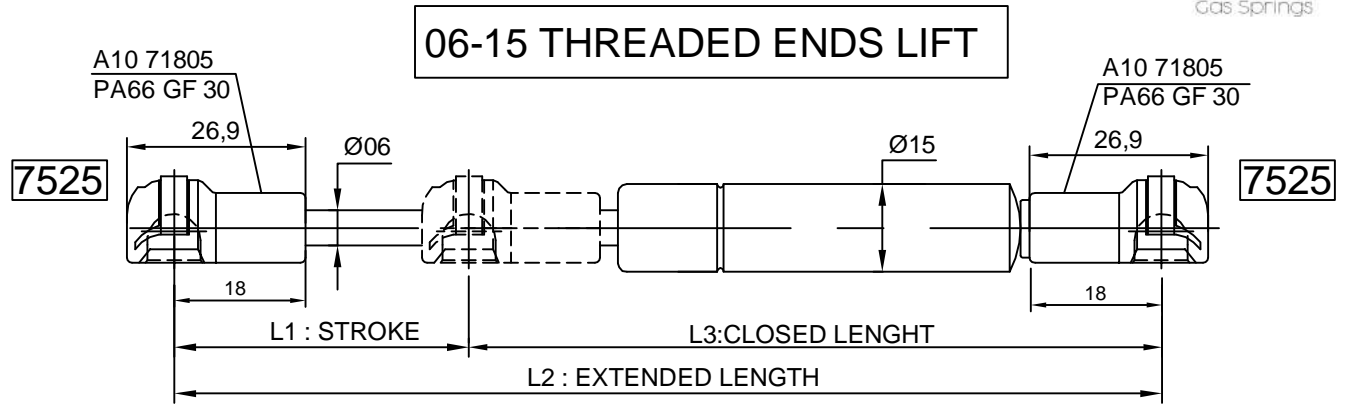


Ref.No.	F1 ( N )	L1 Stroke Strok	L2 Extended Lenght Açık Boy	L3 Closed Lenght Kapalı Boy
S0615S0101P	50	20	120	100
S0615S0102P	100			
S0615S0103P	150			
S0615S0104P	200			
S0615S0105P	250			
S0615S0106P	300			
S0615S0107P	350			
S0615S0108P	400			
S0615S0109P	50			
S0615S0110P	100			
S0615S0111P	150			
S0615S0112P	200			
S0615S0113P	250			
S0615S0114P	300			
S0615S0115P	350			
S0615S0116P	400			
S0615S0117P	50	60	200	140
S0615S0118P	100			
S0615S0119P	150			
S0615S0120P	200			
S0615S0121P	250			
S0615S0122P	300			
S0615S0123P	350			
S0615S0124P	400			
S0615S0125P	50			
S0615S0126P	100			
S0615S0127P	150			
S0615S0128P	200			
S0615S0129P	250			
S0615S0130P	300			
S0615S0131P	350			
S0615S0132P	400			

Ref.No.	F1 ( N )	L1 Stroke Strok	L2 Extended Lenght Açık Boy	L3 Closed Lenght Kapalı Boy
S0615S0133P	50	100	280	180
S0615S0134P	100			
S0615S0135P	150			
S0615S0136P	200			
S0615S0137P	250			
S0615S0138P	300			
S0615S0139P	350			
S0615S0140P	400			
S0615S0141P	50			
S0615S0142P	100			
S0615S0143P	150			
S0615S0144P	200			
S0615S0145P	250			
S0615S0146P	300			
S0615S0147P	350			
S0615S0148P	400			
S0615S0149P	50	150	380	230
S0615S0150P	100			
S0615S0151P	150			
S0615S0152P	200			
S0615S0153P	250			
S0615S0154P	300			
S0615S0155P	350			

GAYSAN LIFT AMORTİSÖRÜ STANDARTLARI / GAYSAN GAS SPRING LIFT STANDARDS											
STROKE ŞTOK (mm)	25-50	51-100	101-150	151-200	201-250	251-300	301-350	351-400	401-450	451-500	501- →
DAMPENING FRENLEME (mm) 25	15	20	25	30	35	40	45	50	55	60	65
EXTENSION SPEED AÇILMA HIZI (mm/sn)	100-300										
ROD / TUBE END FITTINGS MİL / BORU BAĞLANTISI	GAYSAN END FITTING CATALOG / GAYSAN BAĞLANTI KATALOĞU										

Dimensions in mm / We reserve the right to make modifications. Ölçülerde değişiklik yapma hakkımız saklıdır.



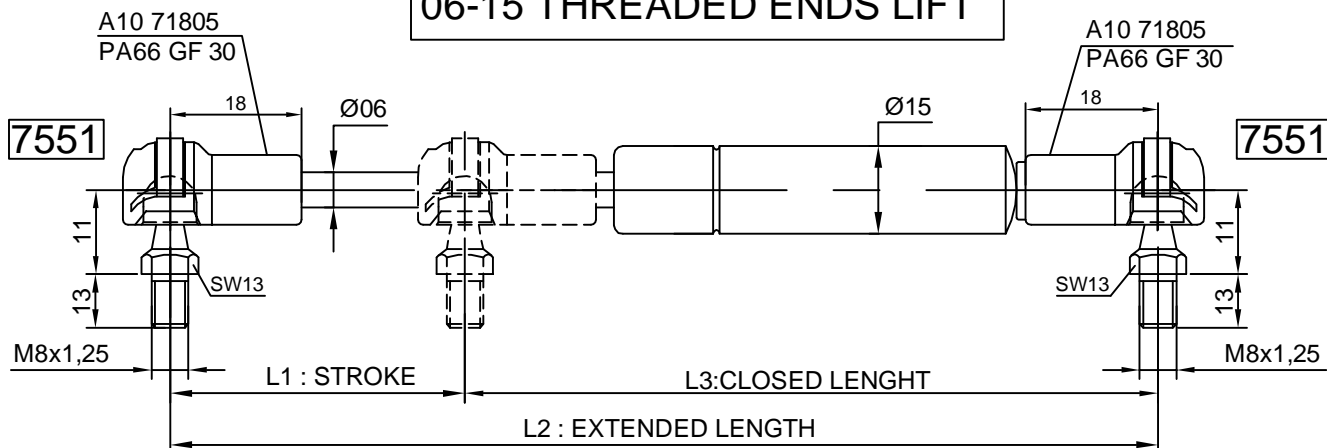
Ref.No.	F1 ( N )	L1 Stroke Strok	L2 Extended Lenght Açık Boy	L3 Closed Lenght Kapalı Boy
S0615S0201P	50	20	120	100
S0615S0202P	100			
S0615S0203P	150			
S0615S0204P	200			
S0615S0205P	250			
S0615S0206P	300			
S0615S0207P	350			
S0615S0208P	400			
S0615S0209P	50			
S0615S0210P	100			
S0615S0211P	150			
S0615S0212P	200			
S0615S0213P	250			
S0615S0214P	300			
S0615S0215P	350			
S0615S0216P	400			
S0615S0217P	50	60	200	140
S0615S0218P	100			
S0615S0219P	150			
S0615S0220P	200			
S0615S0221P	250			
S0615S0222P	300			
S0615S0223P	350			
S0615S0224P	400			
S0615S0225P	50			
S0615S0226P	100			
S0615S0227P	150			
S0615S0228P	200			
S0615S0229P	250			
S0615S0230P	300			
S0615S0231P	350			
S0615S0232P	400			

Ref.No.	F1 ( N )	L1 Stroke Strok	L2 Extended Lenght Açık Boy	L3 Closed Lenght Kapalı Boy
S0615S0233P	50	100	280	180
S0615S0234P	100			
S0615S0235P	150			
S0615S0236P	200			
S0615S0237P	250			
S0615S0238P	300			
S0615S0239P	350			
S0615S0240P	400			
S0615S0241P	50			
S0615S0242P	100			
S0615S0243P	150			
S0615S0244P	200			
S0615S0245P	250			
S0615S0246P	300			
S0615S0247P	350			
S0615S0248P	400			
S0615S0249P	50	150	380	230
S0615S0250P	100			
S0615S0251P	150			
S0615S0252P	200			
S0615S0253P	250			
S0615S0254P	300			
S0615S0255P	350			

GAYSAN LIFT AMORTİSÖRÜ STANDARTLARI / GAYSAN GAS SPRING LIFT STANDARDS											
STROKE ŞTOK (mm)	25-50	51-100	101-150	151-200	201-250	251-300	301-350	351-400	401-450	451-500	501- →
DAMPENING FRENLEME (mm) 25	15	20	25	30	35	40	45	50	55	60	65
EXTENSION SPEED AÇILMA HIZI (mm/sn)	100-300										
ROD / TUBE END FITTINGS MİL / BORU BAĞLANTISI	GAYSAN END FITTING CATALOG / GAYSAN BAĞLANTI KATALOĞU										

Dimensions in mm / We reserve the right to make modifications. Ölçülerde değişiklik yapma hakkımız saklıdır.

## 06-15 THREADED ENDS LIFT



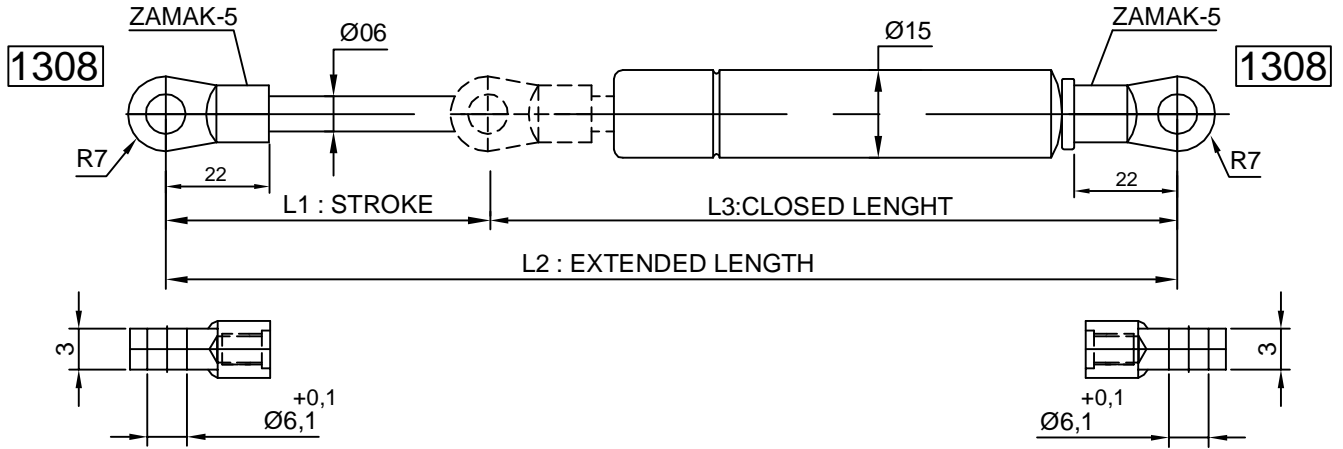
Ref.No.	F1 ( N )	L1 Stroke Strok	L2 Extended Lenght Açık Boy	L3 Closed Lenght Kapalı Boy
S0615S0301P	50	20	120	100
S0615S0302P	100			
S0615S0303P	150			
S0615S0304P	200			
S0615S0305P	250			
S0615S0306P	300			
S0615S0307P	350			
S0615S0308P	400			
S0615S0309P	50			
S0615S0310P	100			
S0615S0311P	150	40	160	120
S0615S0312P	200			
S0615S0313P	250			
S0615S0314P	300			
S0615S0315P	350			
S0615S0316P	400			
S0615S0317P	50			
S0615S0318P	100			
S0615S0319P	150			
S0615S0320P	200			
S0615S0321P	250			
S0615S0322P	300			
S0615S0323P	350			
S0615S0324P	400			
S0615S0325P	50			
S0615S0326P	100			
S0615S0327P	150			
S0615S0328P	200			
S0615S0329P	250	80	240	160
S0615S0330P	300			
S0615S0331P	350			
S0615S0332P	400			

Ref.No.	F1 ( N )	L1 Stroke Strok	L2 Extended Lenght Açık Boy	L3 Closed Lenght Kapalı Boy			
S0615S0333P	50	100	280	180			
S0615S0334P	100						
S0615S0335P	150						
S0615S0336P	200						
S0615S0337P	250						
S0615S0338P	300						
S0615S0339P	350						
S0615S0340P	400						
S0615S0341P	50				120	320	200
S0615S0342P	100						
S0615S0343P	150						
S0615S0344P	200						
S0615S0345P	250						
S0615S0346P	300						
S0615S0347P	350						
S0615S0348P	400						
S0615S0349P	50	150	380	230			
S0615S0350P	100						
S0615S0351P	150						
S0615S0352P	200						
S0615S0353P	250						
S0615S0354P	300						
S0615S0355P	350						

GAYSAN LIFT AMORTİSÖRÜ STANDARTLARI / GAYSAN GAS SPRING LIFT STANDARDS											
STROKE STROK (mm)	25-50	51-100	101-150	151-200	201-250	251-300	301-350	351-400	401-450	451-500	501- →
DAMPENING FRENLEME (mm) 25	15	20	25	30	35	40	45	50	55	60	65
EXTENSION SPEED AÇILMA HIZI (mm/sn)	100-300										
ROD / TUBE END FITTINGS MİL / BORU BAĞLANTISI	GAYSAN END FITTING CATALOG / GAYSAN BAĞLANTI KATALOĞU										

Dimensions in mm / We reserve the right to make modifications. Ölçülerde değişiklik yapma hakkımız saklıdır.

## 06-15 THREADED ENDS LIFT



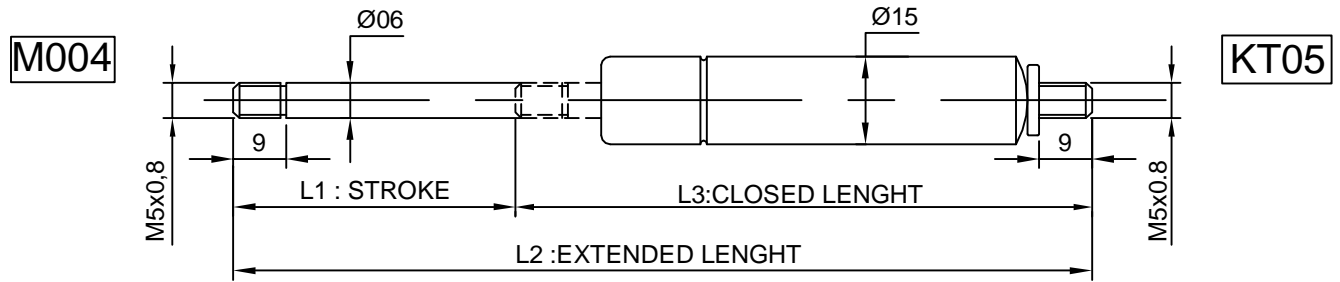
Ref.No.	F1 ( N )	L1 Stroke Strok	L2 Extended Lenght Açık Boy	L3 Closed Lenght Kapalı Boy
S0615S0001Z	50	20	130	110
S0615S0002Z	100			
S0615S0003Z	150			
S0615S0004Z	200			
S0615S0005Z	250			
S0615S0006Z	300			
S0615S0007Z	350			
S0615S0008Z	400			
S0615S0009Z	50			
S0615S0010Z	100			
S0615S0011Z	150			
S0615S0012Z	200			
S0615S0013Z	250			
S0615S0014Z	300			
S0615S0015Z	350			
S0615S0016Z	400			
S0615S0017Z	50	60	210	150
S0615S0018Z	100			
S0615S0019Z	150			
S0615S0020Z	200			
S0615S0021Z	250			
S0615S0022Z	300			
S0615S0023Z	350			
S0615S0024Z	400			
S0615S0025Z	50			
S0615S0026Z	100			
S0615S0027Z	150			
S0615S0028Z	200			
S0615S0029Z	250			
S0615S0030Z	300			
S0615S0031Z	350			
S0615S0032Z	400			

Ref.No.	F1 ( N )	L1 Stroke Strok	L2 Extended Lenght Açık Boy	L3 Closed Lenght Kapalı Boy
S0615S0033Z	50	100	290	190
S0615S0034Z	100			
S0615S0035Z	150			
S0615S0036Z	200			
S0615S0037Z	250			
S0615S0038Z	300			
S0615S0039Z	350			
S0615S0040Z	400			
S0615S0041Z	50			
S0615S0042Z	100			
S0615S0043Z	150			
S0615S0044Z	200			
S0615S0045Z	250			
S0615S0046Z	300			
S0615S0047Z	350			
S0615S0048Z	400			
S0615S0049Z	50	150	390	240
S0615S0050Z	100			
S0615S0051Z	150			
S0615S0052Z	200			
S0615S0053Z	250			
S0615S0054Z	300			
S0615S0055Z	350			
S0615S0056Z	400			

GAYSAN LIFT AMORTİSÖRÜ STANDARTLARI / GAYSAN GAS SPRING LIFT STANDARDS											
STROKE STROK (mm)	25-50	51-100	101-150	151-200	201-250	251-300	301-350	351-400	401-450	451-500	501- →
DAMPENING FRENLEME (mm) 25	15	20	25	30	35	40	45	50	55	60	65
EXTENSION SPEED AÇILMA HIZI (mm/sn)	100-300										
ROD / TUBE END FITTINGS MİL / BORU BAĞLANTISI	GAYSAN END FITTING CATALOG / GAYSAN BAĞLANTI KATALOĞU										

Dimensions in mm / We reserve the right to make modifications. Ölçülerde değişiklik yapma hakkımız saklıdır.

## 06-15 THREADED ENDS LIFT



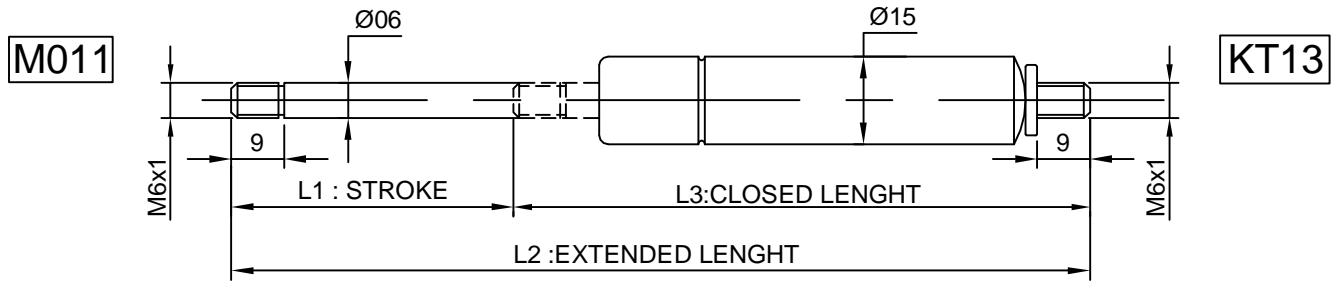
Ref.No.	F1 ( N )	L1 Stroke Strok	L2 Extended Lenght Açık Boy	L3 Closed Lenght Kapalı Boy
S0615S0001D	50	20	100	80
S0615S0002D	100			
S0615S0003D	150			
S0615S0004D	200			
S0615S0005D	250			
S0615S0006D	300			
S0615S0007D	350			
S0615S0008D	400			
S0615S0009D	50	40	140	100
S0615S0010D	100			
S0615S0011D	150			
S0615S0012D	200			
S0615S0013D	250			
S0615S0014D	300			
S0615S0015D	350			
S0615S0016D	400			
S0615S0017D	50	60	180	120
S0615S0018D	100			
S0615S0019D	150			
S0615S0020D	200			
S0615S0021D	250			
S0615S0022D	300			
S0615S0023D	350			
S0615S0024D	400			
S0615S0025D	50	80	220	140
S0615S0026D	100			
S0615S0027D	150			
S0615S0028D	200			
S0615S0029D	250			
S0615S0030D	300			
S0615S0031D	350			
S0615S0032D	400			

Ref.No.	F1 ( N )	L1 Stroke Strok	L2 Extended Lenght Açık Boy	L3 Closed Lenght Kapalı Boy
S0615S0033D	50	100	260	160
S0615S0034D	100			
S0615S0035D	150			
S0615S0036D	200			
S0615S0037D	250			
S0615S0038D	300			
S0615S0039D	350			
S0615S0040D	400			
S0615S0041D	50	120	300	180
S0615S0042D	100			
S0615S0043D	150			
S0615S0044D	200			
S0615S0045D	250			
S0615S0046D	300			
S0615S0047D	350			
S0615S0048D	400			
S0615S0049D	50	150	365	215
S0615S0050D	100			
S0615S0051D	150			
S0615S0052D	200			
S0615S0053D	250			
S0615S0054D	300			
S0615S0055D	350			

GAYSAN LIFT AMORTİSÖRÜ STANDARTLARI / GAYSAN GAS SPRING LIFT STANDARDS											
STROKE ŞTOK (mm)	25-50	51-100	101-150	151-200	201-250	251-300	301-350	351-400	401-450	451-500	501- →
DAMPENING FRENLEME (mm) 25	15	20	25	30	35	40	45	50	55	60	65
EXTENSION SPEED AÇILMA HIZI (mm/sn)	100-300										
ROD / TUBE END FITTINGS MİL / BORU BAĞLANTISI	GAYSAN END FITTING CATALOG / GAYSAN BAĞLANTI KATALOĞU										

Dimensions in mm / We reserve the right to make modifications. Ölçülerde değişiklik yapma hakkımız saklıdır.

## 06-15 THREADED ENDS LIFT



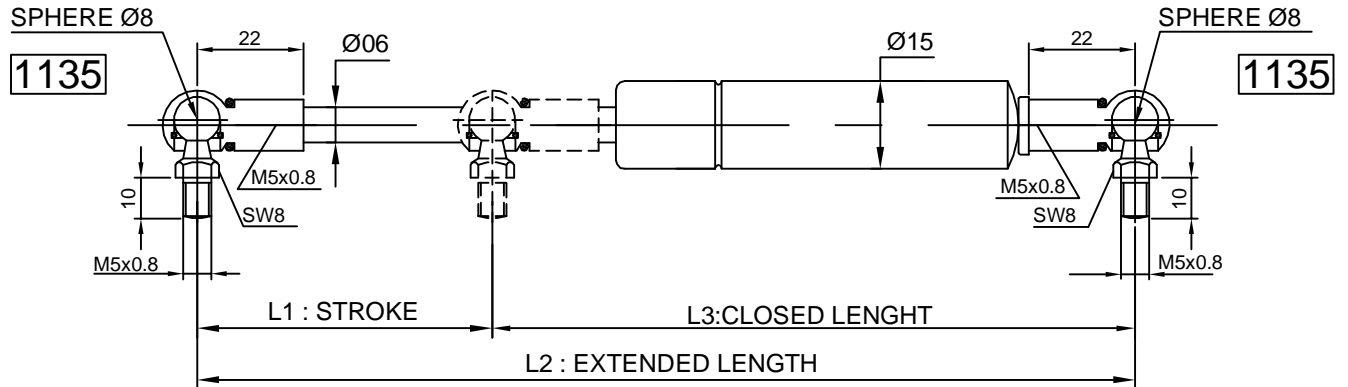
Ref.No.	F1 ( N )	L1 Stroke Strok	L2 Extended Lenght Açık Boy	L3 Closed Lenght Kapalı Boy
S0615S0101D	50	20	100	80
S0615S0102D	100			
S0615S0103D	150			
S0615S0104D	200			
S0615S0105D	250			
S0615S0106D	300			
S0615S0107D	350			
S0615S0108D	400			
S0615S0109D	50	40	140	100
S0615S0110D	100			
S0615S0111D	150			
S0615S0112D	200			
S0615S0113D	250			
S0615S0114D	300			
S0615S0115D	350			
S0615S0116D	400			
S0615S0117D	50	60	180	120
S0615S0118D	100			
S0615S0119D	150			
S0615S0120D	200			
S0615S0121D	250			
S0615S0122D	300			
S0615S0123D	350			
S0615S0124D	400			
S0615S0125D	50	80	220	140
S0615S0126D	100			
S0615S0127D	150			
S0615S0128D	200			
S0615S0129D	250			
S0615S0130D	300			
S0615S0131D	350			
S0615S0132D	400			

Ref.No.	F1 ( N )	L1 Stroke Strok	L2 Extended Lenght Açık Boy	L3 Closed Lenght Kapalı Boy
S0615S0133D	50	100	260	160
S0615S0134D	100			
S0615S0135D	150			
S0615S0136D	200			
S0615S0137D	250			
S0615S0138D	300			
S0615S0139D	350			
S0615S0140D	400			
S0615S0141D	50	120	300	180
S0615S0142D	100			
S0615S0143D	150			
S0615S0144D	200			
S0615S0145D	250			
S0615S0146D	300			
S0615S0147D	350			
S0615S0148D	400			
S0615S0149D	50	150	365	215
S0615S0150D	100			
S0615S0151D	150			
S0615S0152D	200			
S0615S0153D	250			
S0615S0154D	300			
S0615S0155D	350			

GAYSAN LIFT AMORTİSÖRÜ STANDARTLARI / GAYSAN GAS SPRING LIFT STANDARDS											
STROKE ŞTOK (mm)	25-50	51-100	101-150	151-200	201-250	251-300	301-350	351-400	401-450	451-500	501- →
DAMPENING FRENLEME (mm) 25	15	20	25	30	35	40	45	50	55	60	65
EXTENSION SPEED AÇILMA HIZI (mm/sn)	100-300										
ROD / TUBE END FITTINGS MİL / BORU BAĞLANTISI	GAYSAN END FITTING CATALOG / GAYSAN BAĞLANTI KATALOĞU										

Dimensions in mm / We reserve the right to make modifications. Ölçülerde değişiklik yapma hakkımız saklıdır.

## 06-15 THREADED ENDS LIFT



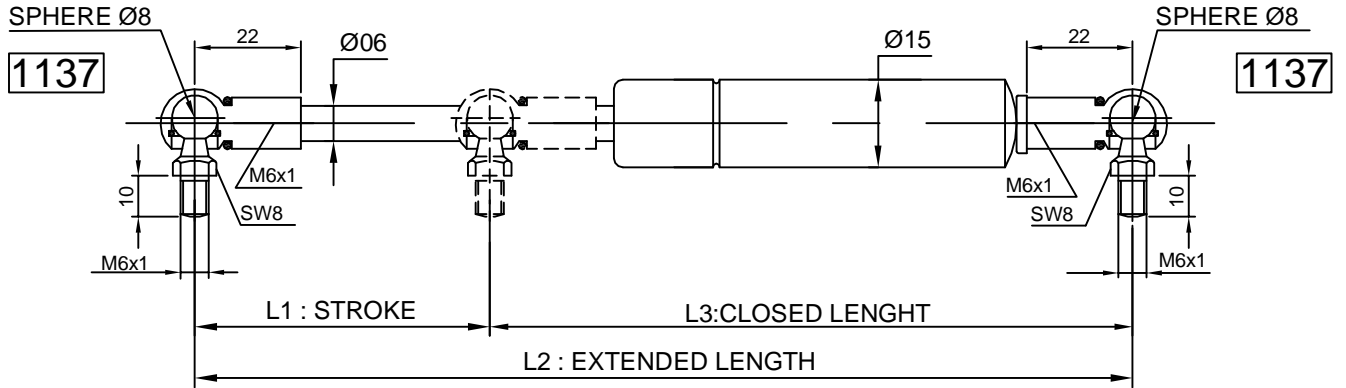
Ref.No.	F1 ( N )	L1 Stroke Strok	L2 Extended Lenght Açık Boy	L3 Closed Lenght Kapalı Boy			
S0615S0001M	50	20	125	105			
S0615S0002M	100						
S0615S0003M	150						
S0615S0004M	200						
S0615S0005M	250						
S0615S0006M	300						
S0615S0007M	350						
S0615S0008M	400						
S0615S0009M	50				40	165	125
S0615S0010M	100						
S0615S0011M	150						
S0615S0012M	200						
S0615S0013M	250						
S0615S0014M	300						
S0615S0015M	350						
S0615S0016M	400	60	205	145			
S0615S0017M	50						
S0615S0018M	100						
S0615S0019M	150						
S0615S0020M	200						
S0615S0021M	250						
S0615S0022M	300						
S0615S0023M	350						
S0615S0024M	400				80	245	165
S0615S0025M	50						
S0615S0026M	100						
S0615S0027M	150						
S0615S0028M	200						
S0615S0029M	250						
S0615S0030M	300						
S0615S0031M	350						
S0615S0032M	400						

Ref.No.	F1 ( N )	L1 Stroke Strok	L2 Extended Lenght Açık Boy	L3 Closed Lenght Kapalı Boy			
S0615S0033M	50	100	285	185			
S0615S0034M	100						
S0615S0035M	150						
S0615S0036M	200						
S0615S0037M	250						
S0615S0038M	300						
S0615S0039M	350						
S0615S0040M	400				120	325	205
S0615S0041M	50						
S0615S0042M	100						
S0615S0043M	150						
S0615S0044M	200						
S0615S0045M	250						
S0615S0046M	300						
S0615S0047M	350						
S0615S0048M	400	150	390	240			
S0615S0049M	50						
S0615S0050M	100						
S0615S0051M	150						
S0615S0052M	200						
S0615S0053M	250						
S0615S0054M	300						
S0615S0055M	350						

GAYSAN LIFT AMORTİSÖRÜ STANDARTLARI / GAYSAN GAS SPRING LIFT STANDARDS											
STROKE STROK (mm)	25-50	51-100	101-150	151-200	201-250	251-300	301-350	351-400	401-450	451-500	501- →
DAMPENING FRENLEME (mm) 25	15	20	25	30	35	40	45	50	55	60	65
EXTENSION SPEED AÇILMA HIZI (mm/sn)	100-300										
ROD / TUBE END FITTINGS MİL / BORU BAĞLANTISI	GAYSAN END FITTING CATALOG / GAYSAN BAĞLANTI KATALOĞU										

Dimensions in mm / We reserve the right to make modifications. Ölçülerde değişiklik yapma hakkımız saklıdır.

## 06-15 THREADED ENDS LIFT



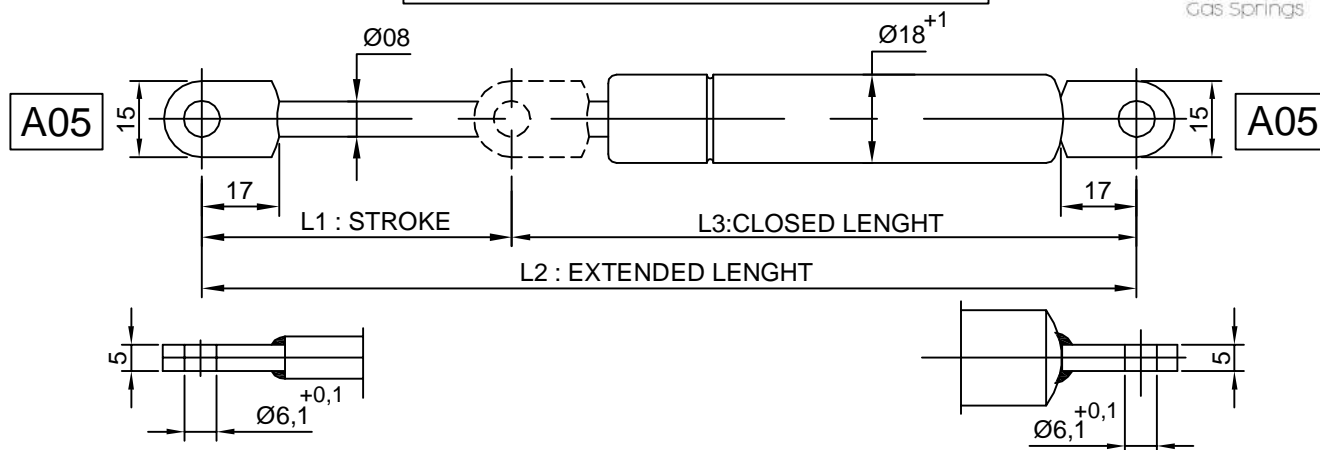
Ref.No.	F1 ( N )	L1 Stroke Strok	L2 Extended Lenght Açık Boy	L3 Closed Lenght Kapalı Boy
S0615S0101M	50	20	125	105
S0615S0102M	100			
S0615S0103M	150			
S0615S0104M	200			
S0615S0105M	250			
S0615S0106M	300			
S0615S0107M	350			
S0615S0108M	400			
S0615S0109M	50			
S0615S0110M	100			
S0615S0111M	150			
S0615S0112M	200			
S0615S0113M	250			
S0615S0114M	300			
S0615S0115M	350			
S0615S0116M	400			
S0615S0117M	50	60	205	145
S0615S0118M	100			
S0615S0119M	150			
S0615S0120M	200			
S0615S0121M	250			
S0615S0122M	300			
S0615S0123M	350			
S0615S0124M	400			
S0615S0125M	50			
S0615S0126M	100			
S0615S0127M	150			
S0615S0128M	200			
S0615S0129M	250			
S0615S0130M	300			
S0615S0131M	350			
S0615S0132M	400			

Ref.No.	F1 ( N )	L1 Stroke Strok	L2 Extended Lenght Açık Boy	L3 Closed Lenght Kapalı Boy
S0615S0133M	50	100	285	185
S0615S0134M	100			
S0615S0135M	150			
S0615S0136M	200			
S0615S0137M	250			
S0615S0138M	300			
S0615S0139M	350			
S0615S0140M	400			
S0615S0141M	50			
S0615S0142M	100			
S0615S0143M	150			
S0615S0144M	200			
S0615S0145M	250			
S0615S0146M	300			
S0615S0147M	350			
S0615S0148M	400			
S0615S0149M	50	150	390	240
S0615S0150M	100			
S0615S0151M	150			
S0615S0152M	200			
S0615S0153M	250			
S0615S0154M	300			
S0615S0155M	350			

GAYSAN LIFT AMORTİSÖRÜ STANDARTLARI / GAYSAN GAS SPRING LIFT STANDARDS											
STROKE STROK (mm)	25-50	51-100	101-150	151-200	201-250	251-300	301-350	351-400	401-450	451-500	501- →
DAMPENING FRENLEME (mm) 25	15	20	25	30	35	40	45	50	55	60	65
EXTENSION SPEED AÇILMA HIZI (mm/sn)	100-300										
ROD / TUBE END FITTINGS MİL / BORU BAĞLANTISI	GAYSAN END FITTING CATALOG / GAYSAN BAĞLANTI KATALOĞU										

Dimensions in mm / We reserve the right to make modifications. Ölçülerde değişiklik yapma hakkımız saklıdır.

# 08-18 WELDED EYES LIFT



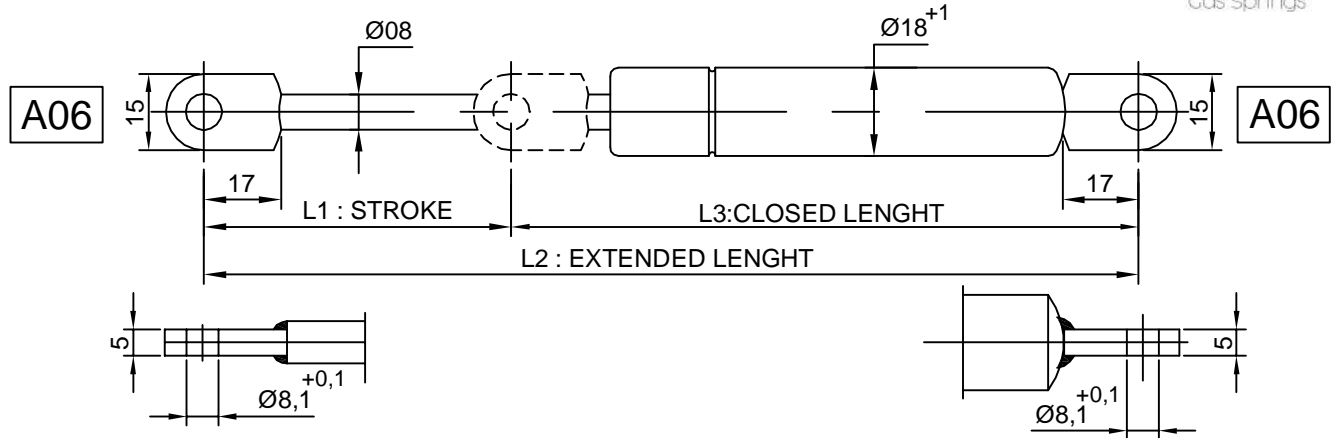
Ref.No.	F1 ( N )	L1 Stroke Strok	L2 Extended Lenght Açık Boy	L3 Closed Lenght Kapalı Boy
S0818S0001K	400	60	205	145
S0818S0002K	500			
S0818S0003K	600			
S0818S0004K	700			
S0818S0005K	400	80	245	165
S0818S0006K	500			
S0818S0007K	600			
S0818S0008K	700	100	285	185
S0818S0009K	400			
S0818S0010K	500			
S0818S0011K	600			
S0818S0012K	700	120	325	205
S0818S0013K	400			
S0818S0014K	500			
S0818S0015K	600			
S0818S0016K	700	140	365	225
S0818S0017K	300			
S0818S0018K	400			
S0818S0019K	500			
S0818S0020K	600	160	405	245
S0818S0021K	700			
S0818S0022K	100			
S0818S0023K	150			
S0818S0024K	200	180	445	265
S0818S0025K	250			
S0818S0026K	300			
S0818S0027K	350			
S0818S0028K	400	250	585	335
S0818S0029K	450			
S0818S0030K	500			
S0818S0031K	600			
S0818S0032K	700	180	445	265
S0818S0033K	100			
S0818S0034K	150			
S0818S0035K	200			
S0818S0036K	250	250	585	335
S0818S0037K	300			
S0818S0038K	350			

Ref.No.	F1 ( N )	L1 Stroke Strok	L2 Extended Lenght Açık Boy	L3 Closed Lenght Kapalı Boy
S0818S0039K	400	180	445	265
S0818S0040K	450			
S0818S0041K	500			
S0818S0042K	600			
S0818S0043K	700	200	485	285
S0818S0044K	100			
S0818S0045K	150			
S0818S0046K	200			
S0818S0047K	250			
S0818S0048K	300			
S0818S0049K	350			
S0818S0050K	400			
S0818S0051K	450			
S0818S0052K	500			
S0818S0053K	600			
S0818S0054K	700			
S0818S0055K	100			
S0818S0056K	150			
S0818S0057K	200			
S0818S0058K	250			
S0818S0059K	300			
S0818S0060K	350			
S0818S0061K	400	250	585	335
S0818S0062K	450			
S0818S0063K	500			
S0818S0064K	600			
S0818S0065K	700			
S0818S0066K	100			
S0818S0067K	150			
S0818S0068K	200			
S0818S0069K	250			
S0818S0070K	300			
S0818S0071K	350			
S0818S0072K	400			
S0818S0073K	450			
S0818S0074K	500			

GAYSAN LIFT AMORTİSÖRÜ STANDARTLARI / GAYSAN GAS SPRING LIFT STANDARDS											
STROKE STROK (mm)	25-50	51-100	101-150	151-200	201-250	251-300	301-350	351-400	401-450	451-500	501- →
DAMPENING FRENLEME (mm) ±5	15	20	25	30	35	40	45	50	55	60	65
EXTENSION SPEED AÇILMA HIZI (mm/sn)	100-300										
ROD / TUBE END FITTINGS MİL / BORU BAĞLANTISI	GAYSAN END FITTING CATALOG / GAYSAN BAĞLANTI KATALOĞU										

Dimensions in mm / We reserve the right to make modifications. Ölçülerde değişiklik yapma hakkımız saklıdır.

# 08-18 WELDED EYES LIFT

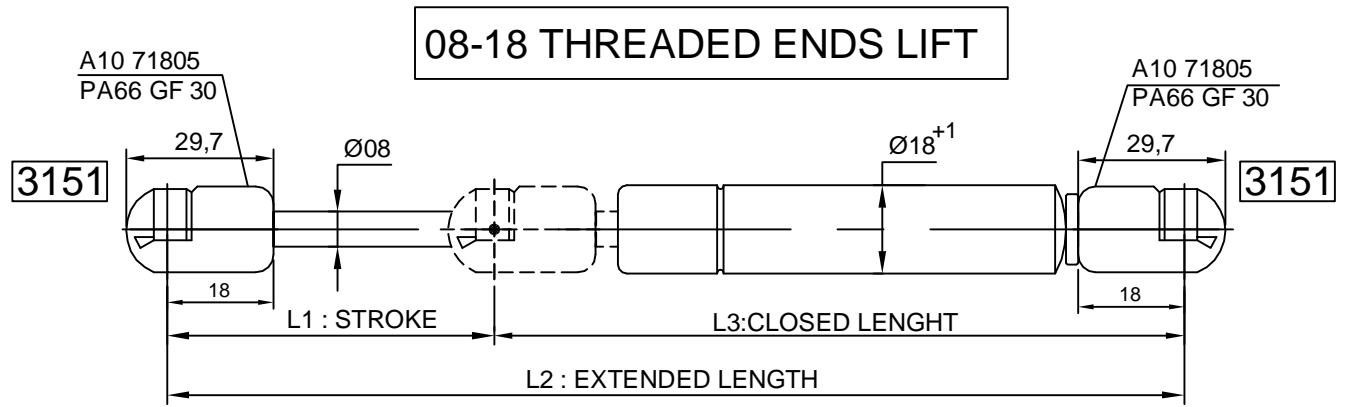


Ref.No.	F1 ( N )	L1 Stroke Strok	L2 Extended Lenght Açık Boy	L3 Closed Lenght Kapalı Boy
S0818S0101K	400	60	205	145
S0818S0102K	500			
S0818S0103K	600			
S0818S0104K	700			
S0818S0105K	400	80	245	165
S0818S0106K	500			
S0818S0107K	600			
S0818S0108K	700	100	285	185
S0818S0109K	400			
S0818S0110K	500			
S0818S0111K	600			
S0818S0112K	700	120	325	205
S0818S0113K	400			
S0818S0114K	500			
S0818S0115K	600			
S0818S0116K	700	140	365	225
S0818S0117K	300			
S0818S0118K	400			
S0818S0119K	500			
S0818S0120K	600			
S0818S0121K	700			
S0818S0122K	100			
S0818S0123K	150	160	405	245
S0818S0124K	200			
S0818S0125K	250			
S0818S0126K	300			
S0818S0127K	350			
S0818S0128K	400			
S0818S0129K	450			
S0818S0130K	500	180	445	265
S0818S0131K	600			
S0818S0132K	700			
S0818S0133K	100			
S0818S0134K	150			
S0818S0135K	200			
S0818S0136K	250			
S0818S0137K	300			
S0818S0138K	350			

Ref.No.	F1 ( N )	L1 Stroke Strok	L2 Extended Lenght Açık Boy	L3 Closed Lenght Kapalı Boy
S0818S0139K	400	180	445	265
S0818S0140K	450			
S0818S0141K	500			
S0818S0142K	600			
S0818S0143K	700	200	485	285
S0818S0144K	100			
S0818S0145K	150			
S0818S0146K	200			
S0818S0147K	250			
S0818S0148K	300			
S0818S0149K	350			
S0818S0150K	400	220	525	305
S0818S0151K	450			
S0818S0152K	500			
S0818S0153K	600			
S0818S0154K	700			
S0818S0155K	100			
S0818S0156K	150			
S0818S0157K	200	250	585	335
S0818S0158K	250			
S0818S0159K	300			
S0818S0160K	350			
S0818S0161K	400			
S0818S0162K	450			
S0818S0163K	500			
S0818S0164K	600			
S0818S0165K	700			
S0818S0166K	100			
S0818S0167K	150			
S0818S0168K	200			
S0818S0169K	250			
S0818S0170K	300			
S0818S0171K	350			
S0818S0172K	400			
S0818S0173K	450			
S0818S0174K	500			

GAYSAN LIFT AMORTİSÖRÜ STANDARTLARI / GAYSAN GAS SPRING LIFT STANDARDS											
STROKE STROK (mm)	25-50	51-100	101-150	151-200	201-250	251-300	301-350	351-400	401-450	451-500	501- →
DAMPENING FRENLEME (mm/s) <sup>±5</sup>	15	20	25	30	35	40	45	50	55	60	65
EXTENSION SPEED AÇILMA HIZI (mm/s)	100-300										
ROD / TUBE END FITTINGS MİL / BORU BAĞLANTISI	GAYSAN END FITTING CATALOG / GAYSAN BAĞLANTI KATALOĞU										

Dimensions in mm / We reserve the right to make modifications. Ölçülerde değişiklik yapma hakkımız saklıdır.



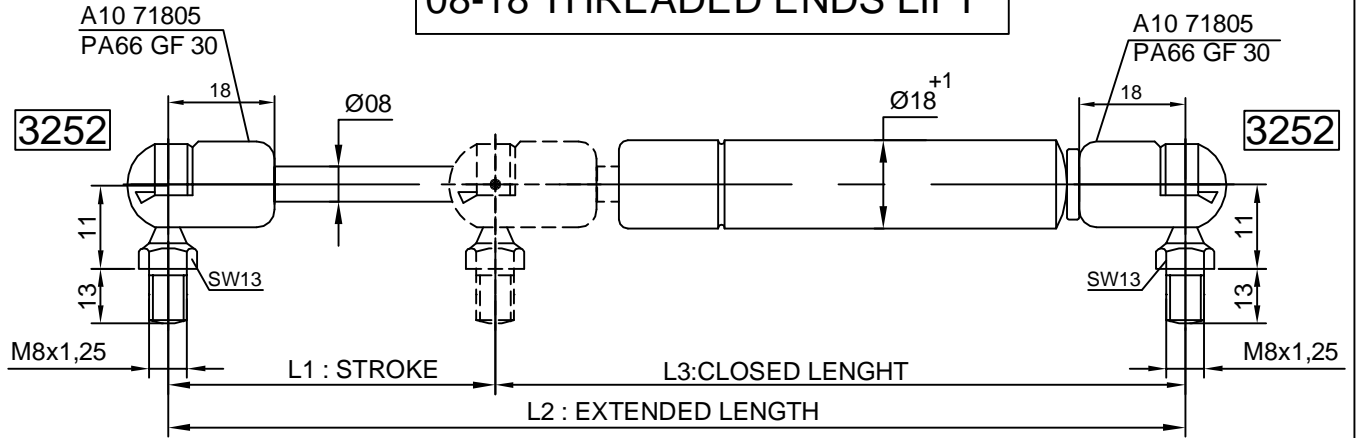
Ref.No.	F1 ( N )	L1 Stroke Strok	L2 Extended Length Açık Boy	L3 Closed Length Kapalı Boy
S0818S0001P	400	60	205	145
S0818S0002P	500			
S0818S0003P	600			
S0818S0004P	700			
S0818S0005P	400	80	245	165
S0818S0006P	500			
S0818S0007P	600			
S0818S0008P	700			
S0818S0009P	400	100	285	185
S0818S0010P	500			
S0818S0011P	600			
S0818S0012P	700			
S0818S0013P	400	120	325	205
S0818S0014P	500			
S0818S0015P	600			
S0818S0016P	700			
S0818S0017P	300	140	365	225
S0818S0018P	400			
S0818S0019P	500			
S0818S0020P	600			
S0818S0021P	700	160	405	245
S0818S0022P	100			
S0818S0023P	150			
S0818S0024P	200			
S0818S0025P	250	180	445	265
S0818S0026P	300			
S0818S0027P	350			
S0818S0028P	400			
S0818S0029P	450	180	445	265
S0818S0030P	500			
S0818S0031P	600			
S0818S0032P	700			
S0818S0033P	100	180	445	265
S0818S0034P	150			
S0818S0035P	200			
S0818S0036P	250			
S0818S0037P	300	180	445	265
S0818S0038P	350			

Ref.No.	F1 ( N )	L1 Stroke Strok	L2 Extended Length Açık Boy	L3 Closed Length Kapalı Boy
S0818S0039P	400	180	445	265
S0818S0040P	450			
S0818S0041P	500			
S0818S0042P	600			
S0818S0043P	700	200	485	285
S0818S0044P	100			
S0818S0045P	150			
S0818S0046P	200			
S0818S0047P	250	200	485	285
S0818S0048P	300			
S0818S0049P	350			
S0818S0050P	400			
S0818S0051P	450	220	525	305
S0818S0052P	500			
S0818S0053P	600			
S0818S0054P	700			
S0818S0055P	100	220	525	305
S0818S0056P	150			
S0818S0057P	200			
S0818S0058P	250			
S0818S0059P	300	250	585	335
S0818S0060P	350			
S0818S0061P	400			
S0818S0062P	450			
S0818S0063P	500	250	585	335
S0818S0064P	600			
S0818S0065P	700			
S0818S0066P	100			
S0818S0067P	150	250	585	335
S0818S0068P	200			
S0818S0069P	250			
S0818S0070P	300			
S0818S0071P	350	250	585	335
S0818S0072P	400			
S0818S0073P	450			
S0818S0074P	500			

GAYSAN LIFT AMORTİSÖRÜ STANDARTLARI / GAYSAN GAS SPRING LIFT STANDARDS											
STROKE STROK (mm)	25-50	51-100	101-150	151-200	201-250	251-300	301-350	351-400	401-450	451-500	501- →
DAMPENING FRENLEME (mm) 25	15	20	25	30	35	40	45	50	55	60	65
EXTENSION SPEED AÇILMA HIZI (mm/sn)	100-300										
ROD / TUBE END FITTINGS MİL / BORU BAĞLANTISI	GAYSAN END FITTING CATALOG / GAYSAN BAĞLANTI KATALOĞU										

Dimensions in mm / We reserve the right to make modifications. Ölçülerde değişiklik yapma hakkımız saklıdır.

## 08-18 THREADED ENDS LIFT



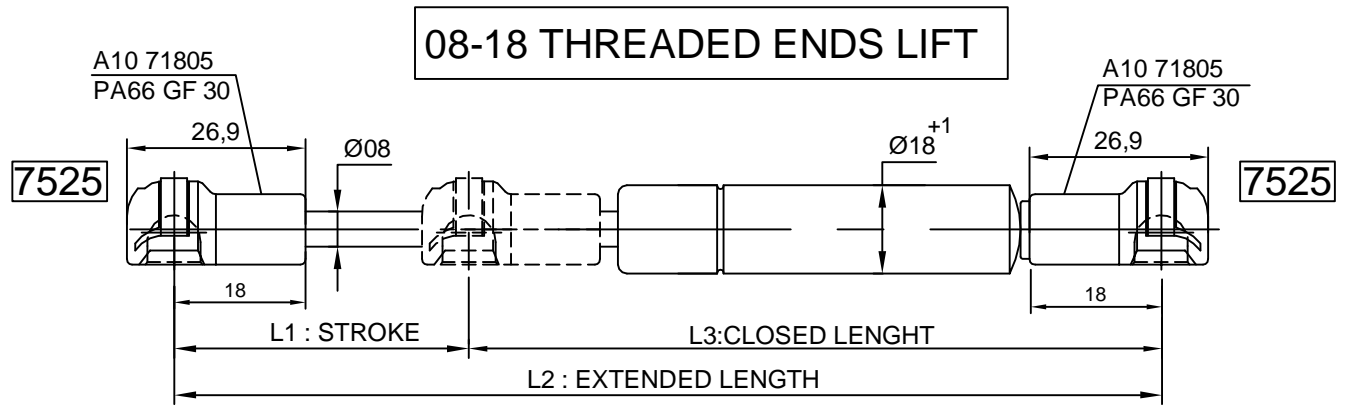
Ref.No.	F1 ( N )	L1 Stroke Strok	L2 Extended Length Açık Boy	L3 Closed Length Kapalı Boy
S0818S0101P	400	60	205	145
S0818S0102P	500			
S0818S0103P	600			
S0818S0104P	700			
S0818S0105P	400	80	245	165
S0818S0106P	500			
S0818S0107P	600			
S0818S0108P	700			
S0818S0109P	400	100	285	185
S0818S0110P	500			
S0818S0111P	600			
S0818S0112P	700			
S0818S0113P	400	120	325	205
S0818S0114P	500			
S0818S0115P	600			
S0818S0116P	700			
S0818S0117P	300	140	365	225
S0818S0118P	400			
S0818S0119P	500			
S0818S0120P	600			
S0818S0121P	700	160	405	245
S0818S0122P	100			
S0818S0123P	150			
S0818S0124P	200			
S0818S0125P	250			
S0818S0126P	300			
S0818S0127P	350			
S0818S0128P	400			
S0818S0129P	450			
S0818S0130P	500			
S0818S0131P	600			
S0818S0132P	700			
S0818S0133P	100	180	445	265
S0818S0134P	150			
S0818S0135P	200			
S0818S0136P	250			
S0818S0137P	300			
S0818S0138P	350			

Ref.No.	F1 ( N )	L1 Stroke Strok	L2 Extended Length Açık Boy	L3 Closed Length Kapalı Boy
S0818S0139P	400	180	445	265
S0818S0140P	450			
S0818S0141P	500			
S0818S0142P	600			
S0818S0143P	700	200	485	285
S0818S0144P	100			
S0818S0145P	150			
S0818S0146P	200			
S0818S0147P	250			
S0818S0148P	300			
S0818S0149P	350			
S0818S0150P	400			
S0818S0151P	450			
S0818S0152P	500			
S0818S0153P	600			
S0818S0154P	700			
S0818S0155P	100	220	525	305
S0818S0156P	150			
S0818S0157P	200			
S0818S0158P	250			
S0818S0159P	300			
S0818S0160P	350			
S0818S0161P	400			
S0818S0162P	450			
S0818S0163P	500			
S0818S0164P	600			
S0818S0165P	700			
S0818S0166P	100			
S0818S0167P	150			
S0818S0168P	200			
S0818S0169P	250			
S0818S0170P	300			
S0818S0171P	350			
S0818S0172P	400			
S0818S0173P	450			
S0818S0174P	500			

### GAYSAN LIFT AMORTİSÖRÜ STANDARTLARI / GAYSAN GAS SPRING LIFT STANDARDS

STROKE STROK (mm)	25-50	51-100	101-150	151-200	201-250	251-300	301-350	351-400	401-450	451-500	501- →
DAMPENING FRENLEME (mm) 25	15	20	25	30	35	40	45	50	55	60	65
EXTENSION SPEED AÇILMA HIZI (mm/sn)	100-300										
ROD / TUBE END FITTINGS MİL / BORU BAĞLANTISI	GAYSAN END FITTING CATALOG / GAYSAN BAĞLANTI KATALOĞU										

Dimensions in mm / We reserve the right to make modifications. Ölçülerde değişiklik yapma hakkımız saklıdır.

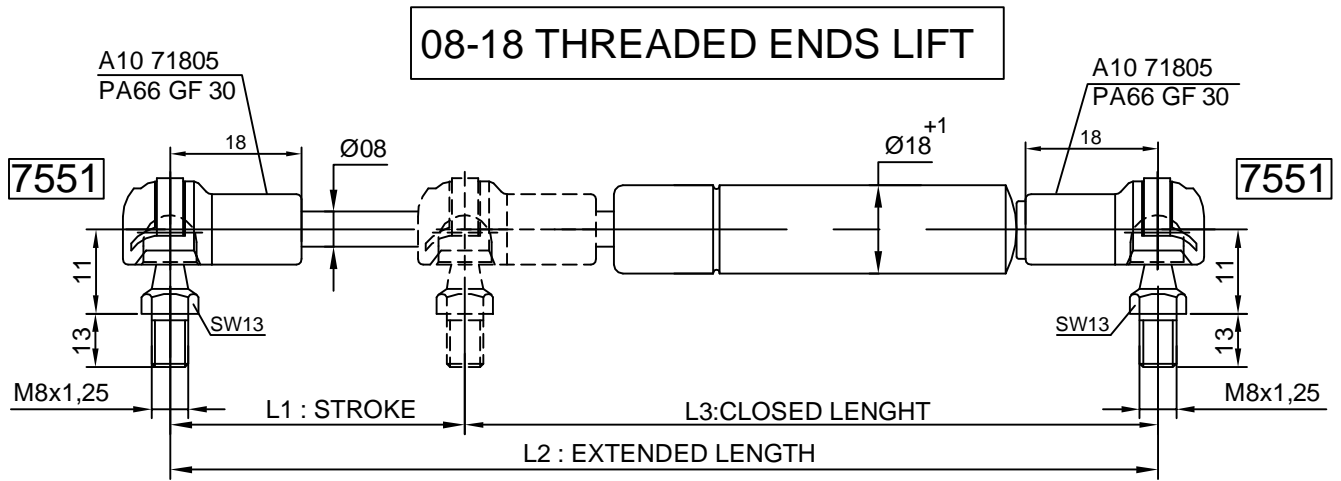


Ref.No.	F1 ( N )	L1 Stroke Strok	L2 Extended Length Açık Boy	L3 Closed Length Kapalı Boy
S0818S0201P	400			
S0818S0202P	500			
S0818S0203P	600	60	205	145
S0818S0204P	700			
S0818S0205P	400			
S0818S0206P	500	80	245	165
S0818S0207P	600			
S0818S0208P	700			
S0818S0209P	400			
S0818S0210P	500	100	285	185
S0818S0211P	600			
S0818S0212P	700			
S0818S0213P	400			
S0818S0214P	500	120	325	205
S0818S0215P	600			
S0818S0216P	700			
S0818S0217P	300			
S0818S0218P	400			
S0818S0219P	500	140	365	225
S0818S0220P	600			
S0818S0221P	700			
S0818S0222P	100			
S0818S0223P	150			
S0818S0224P	200			
S0818S0225P	250			
S0818S0226P	300	160	405	245
S0818S0227P	350			
S0818S0228P	400			
S0818S0229P	450			
S0818S0230P	500			
S0818S0231P	600			
S0818S0232P	700			
S0818S0233P	100			
S0818S0234P	150			
S0818S0235P	200	180	445	265
S0818S0236P	250			
S0818S0237P	300			
S0818S0238P	350			

Ref.No.	F1 ( N )	L1 Stroke Strok	L2 Extended Length Açık Boy	L3 Closed Length Kapalı Boy
S0818S0239P	400			
S0818S0240P	450			
S0818S0241P	500	180	445	265
S0818S0242P	600			
S0818S0243P	700			
S0818S0244P	100			
S0818S0245P	150			
S0818S0246P	200			
S0818S0247P	250			
S0818S0248P	300	200	485	285
S0818S0249P	350			
S0818S0250P	400			
S0818S0251P	450			
S0818S0252P	500			
S0818S0253P	600			
S0818S0254P	700			
S0818S0255P	100			
S0818S0256P	150			
S0818S0257P	200			
S0818S0258P	250	220	525	305
S0818S0259P	300			
S0818S0260P	350			
S0818S0261P	400			
S0818S0262P	450			
S0818S0263P	500			
S0818S0264P	600			
S0818S0265P	700			
S0818S0266P	100			
S0818S0267P	150			
S0818S0268P	200			
S0818S0269P	250			
S0818S0270P	300	250	585	335
S0818S0271P	350			
S0818S0272P	400			
S0818S0273P	450			
S0818S0274P	500			

GAYSAN LIFT AMORTİSÖRÜ STANDARTLARI / GAYSAN GAS SPRING LIFT STANDARDS											
STROKE ŞTOK (mm)	25-50	51-100	101-150	151-200	201-250	251-300	301-350	351-400	401-450	451-500	501- →
DAMPENING FRENLEME (mm) 25	15	20	25	30	35	40	45	50	55	60	65
EXTENSION SPEED AÇILMA HIZI (mm/sn)	100-300										
ROD / TUBE END FITTINGS MİL / BORU BAĞLANTISI	GAYSAN END FITTING CATALOG / GAYSAN BAĞLANTI KATALOĞU										

Dimensions in mm / We reserve the right to make modifications. Ölçülerde değişiklik yapma hakkımız saklıdır.



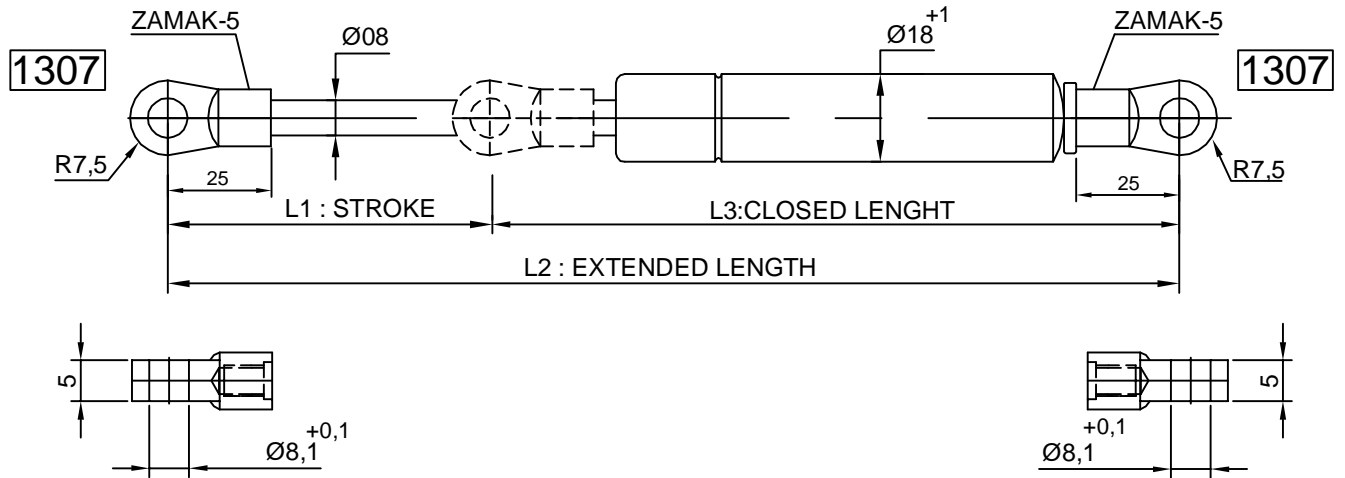
Ref.No.	F1 ( N )	L1 Stroke Strok	L2 Extended Length Açık Boy	L3 Closed Length Kapalı Boy
S0818S0301P	400	60	205	145
S0818S0302P	500			
S0818S0303P	600			
S0818S0304P	700			
S0818S0305P	400	80	245	165
S0818S0306P	500			
S0818S0307P	600			
S0818S0308P	700			
S0818S0309P	400	100	285	185
S0818S0310P	500			
S0818S0311P	600			
S0818S0312P	700			
S0818S0313P	400	120	325	205
S0818S0314P	500			
S0818S0315P	600			
S0818S0316P	700			
S0818S0317P	300	140	365	225
S0818S0318P	400			
S0818S0319P	500			
S0818S0320P	600			
S0818S0321P	700	160	405	245
S0818S0322P	100			
S0818S0323P	150			
S0818S0324P	200			
S0818S0325P	250	180	445	265
S0818S0326P	300			
S0818S0327P	350			
S0818S0328P	400			
S0818S0329P	450	250	585	335
S0818S0330P	500			
S0818S0331P	600			
S0818S0332P	700			
S0818S0333P	100	180	445	265
S0818S0334P	150			
S0818S0335P	200			
S0818S0336P	250			
S0818S0337P	300	350		
S0818S0338P	350			

Ref.No.	F1 ( N )	L1 Stroke Strok	L2 Extended Length Açık Boy	L3 Closed Length Kapalı Boy
S0818S0339P	400	180	445	265
S0818S0340P	450			
S0818S0341P	500			
S0818S0342P	600			
S0818S0343P	700	200	485	285
S0818S0344P	100			
S0818S0345P	150			
S0818S0346P	200			
S0818S0347P	250	220	525	305
S0818S0348P	300			
S0818S0349P	350			
S0818S0350P	400			
S0818S0351P	450	250	585	335
S0818S0352P	500			
S0818S0353P	600			
S0818S0354P	700			
S0818S0355P	100	180	445	265
S0818S0356P	150			
S0818S0357P	200			
S0818S0358P	250			
S0818S0359P	300	220	525	305
S0818S0360P	350			
S0818S0361P	400			
S0818S0362P	450			
S0818S0363P	500	250	585	335
S0818S0364P	600			
S0818S0365P	700			
S0818S0366P	100			
S0818S0367P	150	250	585	335
S0818S0368P	200			
S0818S0369P	250			
S0818S0370P	300			
S0818S0371P	350	180	445	265
S0818S0372P	400			
S0818S0373P	450			
S0818S0374P	500			

GAYSAN LIFT AMORTİSÖRÜ STANDARTLARI / GAYSAN GAS SPRING LIFT STANDARDS											
STROKE STROK (mm)	25-50	51-100	101-150	151-200	201-250	251-300	301-350	351-400	401-450	451-500	501- →
DAMPENING FRENLEME (mm) 25	15	20	25	30	35	40	45	50	55	60	65
EXTENSION SPEED AÇILMA HIZI (mm/sn)	100-300										
ROD / TUBE END FITTINGS MİL / BORU BAĞLANTISI	GAYSAN END FITTING CATALOG / GAYSAN BAĞLANTI KATALOĞU										

Dimensions in mm / We reserve the right to make modifications. Ölçülerde değişiklik yapma hakkımız saklıdır.

## 08-18 THREADED ENDS LIFT



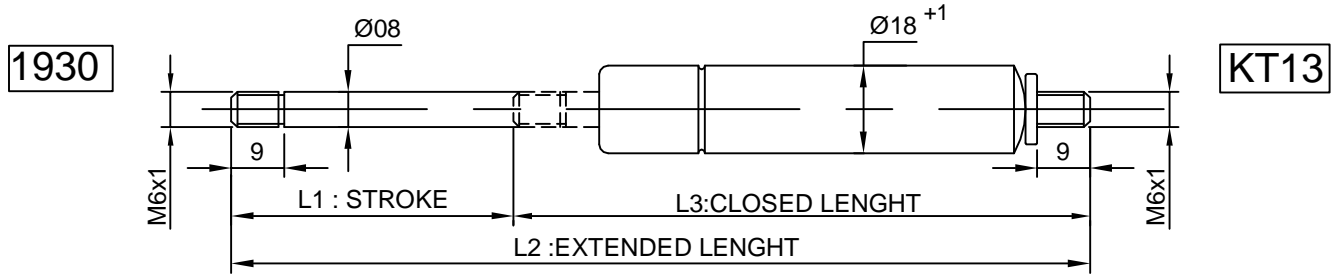
Ref.No.	F1 ( N )	L1 Stroke Strok	L2 Extended Lenght Açık Boy	L3 Closed Lenght Kapalı Boy
S0818S0001Z	500	60	220	160
S0818S0002Z	600			
S0818S0003Z	500	80	260	180
S0818S0004Z	600			
S0818S0005Z	500	100	300	200
S0818S0006Z	600			
S0818S0007Z	500	120	340	220
S0818S0008Z	600			
S0818S0009Z	400	140	380	240
S0818S0010Z	500			
S0818S0011Z	600	160	420	260
S0818S0012Z	100			
S0818S0013Z	150			
S0818S0014Z	200			
S0818S0015Z	250			
S0818S0016Z	300			
S0818S0017Z	350			
S0818S0018Z	400			
S0818S0019Z	500			
S0818S0020Z	600			
S0818S0021Z	100	180	460	280
S0818S0022Z	150			
S0818S0023Z	200			
S0818S0024Z	250			
S0818S0025Z	300			
S0818S0026Z	350			
S0818S0027Z	400			
S0818S0028Z	500			
S0818S0029Z	600			

Ref.No.	F1 ( N )	L1 Stroke Strok	L2 Extended Lenght Açık Boy	L3 Closed Lenght Kapalı Boy
S0818S0030Z	100	200	500	300
S0818S0031Z	150			
S0818S0032Z	200			
S0818S0033Z	250			
S0818S0034Z	300			
S0818S0035Z	350			
S0818S0036Z	400	220	540	320
S0818S0037Z	500			
S0818S0038Z	600			
S0818S0039Z	100			
S0818S0040Z	150			
S0818S0041Z	200			
S0818S0042Z	250			
S0818S0043Z	300			
S0818S0044Z	350			
S0818S0045Z	400			
S0818S0046Z	500	250	600	350
S0818S0047Z	600			
S0818S0048Z	100			
S0818S0049Z	150			
S0818S0050Z	200			
S0818S0051Z	250			
S0818S0052Z	300			
S0818S0053Z	350			
S0818S0054Z	400			
S0818S0055Z	500			

GAYSAN LIFT AMORTİSÖRÜ STANDARTLARI / GAYSAN GAS SPRING LIFT STANDARDS											
STROKE STROK (mm)	25-50	51-100	101-150	151-200	201-250	251-300	301-350	351-400	401-450	451-500	501- →
DAMPENING FRENLEME (mm) 25	15	20	25	30	35	40	45	50	55	60	65
EXTENSION SPEED AÇILMA HIZI (mm/sn)	100-300										
ROD / TUBE END FITTINGS MİL / BORU BAĞLANTISI	GAYSAN END FITTING CATALOG / GAYSAN BAĞLANTI KATALOĞU										

Dimensions in mm / We reserve the right to make modifications. Ölçülerde değişiklik yapma hakkımız saklıdır.

## 08-18 THREADED ENDS LIFT



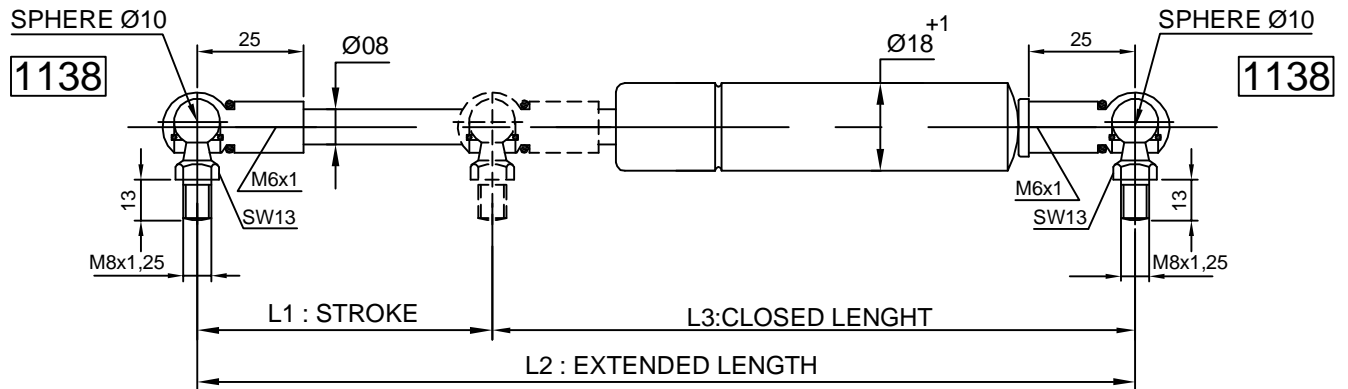
Ref.No.	F1 ( N )	L1 Stroke Strok	L2 Extended Lenght Açık Boy	L3 Closed Lenght Kapalı Boy
S0818S0001D	400			
S0818S0002D	500			
S0818S0003D	600	60	190	130
S0818S0004D	700			
S0818S0005D	400			
S0818S0006D	500	80	230	150
S0818S0007D	600			
S0818S0008D	700			
S0818S0009D	400			
S0818S0010D	500	100	270	170
S0818S0011D	600			
S0818S0012D	700			
S0818S0013D	400			
S0818S0014D	500	120	310	190
S0818S0015D	600			
S0818S0016D	700			
S0818S0017D	300			
S0818S0018D	400			
S0818S0019D	500	140	350	210
S0818S0020D	600			
S0818S0021D	700			
S0818S0022D	100			
S0818S0023D	150			
S0818S0024D	200			
S0818S0025D	250			
S0818S0026D	300	160	390	230
S0818S0027D	350			
S0818S0028D	400			
S0818S0029D	450			
S0818S0030D	500			
S0818S0031D	600			
S0818S0032D	700			
S0818S0033D	100			
S0818S0034D	150			
S0818S0035D	200	180	430	250
S0818S0036D	250			
S0818S0037D	300			
S0818S0038D	350			

Ref.No.	F1 ( N )	L1 Stroke Strok	L2 Extended Lenght Açık Boy	L3 Closed Lenght Kapalı Boy
S0818S0039D	400			
S0818S0040D	450			
S0818S0041D	500	180	430	250
S0818S0042D	600			
S0818S0043D	700			
S0818S0044D	100			
S0818S0045D	150			
S0818S0046D	200			
S0818S0047D	250			
S0818S0048D	300	200	470	270
S0818S0049D	350			
S0818S0050D	400			
S0818S0051D	450			
S0818S0052D	500			
S0818S0053D	600			
S0818S0054D	700			
S0818S0055D	100			
S0818S0056D	150			
S0818S0057D	200			
S0818S0058D	250			
S0818S0059D	300	220	510	290
S0818S0060D	350			
S0818S0061D	400			
S0818S0062D	450			
S0818S0063D	500			
S0818S0064D	600			
S0818S0065D	700			
S0818S0066D	100			
S0818S0067D	150			
S0818S0068D	200			
S0818S0069D	250			
S0818S0070D	300	250	570	320
S0818S0071D	350			
S0818S0072D	400			
S0818S0073D	450			
S0818S0074D	500			

GAYSAN LIFT AMORTİSÖRÜ STANDARTLARI / GAYSAN GAS SPRING LIFT STANDARDS											
STROKE STROK (mm)	25-50	51-100	101-150	151-200	201-250	251-300	301-350	351-400	401-450	451-500	501- →
DAMPENING FRENLEME (mm) 25	15	20	25	30	35	40	45	50	55	60	65
EXTENSION SPEED AÇILMA HIZI (mm/sn)	100-300										
ROD / TUBE END FITTINGS MİL / BORU BAĞLANTIŞI	GAYSAN END FITTING CATALOG / GAYSAN BAĞLANTI KATALOĞU										

Dimensions in mm / We reserve the right to make modifications. Ölçülerde değişiklik yapma hakkımız saklıdır.

## 08-18 THREADED ENDS LIFT



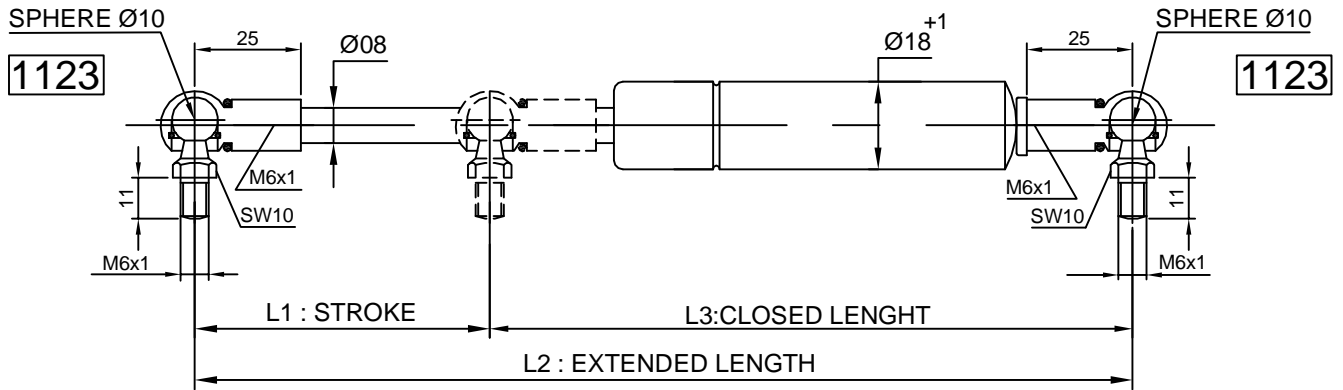
Ref.No.	F1 ( N )	L1 Stroke Strok	L2 Extended Lenght Açık Boy	L3 Closed Lenght Kapalı Boy			
S0818S0001M	500	60	220	160			
S0818S0002M	600						
S0818S0003M	500	80	260	180			
S0818S0004M	600						
S0818S0005M	500	100	300	200			
S0818S0006M	600						
S0818S0007M	500	120	340	220			
S0818S0008M	600						
S0818S0009M	400	140	380	240			
S0818S0010M	500						
S0818S0011M	600	160	420	260			
S0818S0012M	100						
S0818S0013M	150						
S0818S0014M	200						
S0818S0015M	250						
S0818S0016M	300						
S0818S0017M	350						
S0818S0018M	400						
S0818S0019M	500						
S0818S0020M	600						
S0818S0021M	100				180	460	280
S0818S0022M	150						
S0818S0023M	200						
S0818S0024M	250						
S0818S0025M	300						
S0818S0026M	350						
S0818S0027M	400						
S0818S0028M	500						
S0818S0029M	600						

Ref.No.	F1 ( N )	L1 Stroke Strok	L2 Extended Lenght Açık Boy	L3 Closed Lenght Kapalı Boy
S0818S0030M	100	200	500	300
S0818S0031M	150			
S0818S0032M	200			
S0818S0033M	250			
S0818S0034M	300			
S0818S0035M	350			
S0818S0036M	400			
S0818S0037M	500			
S0818S0038M	600			
S0818S0039M	100	220	540	320
S0818S0040M	150			
S0818S0041M	200			
S0818S0042M	250			
S0818S0043M	300			
S0818S0044M	350			
S0818S0045M	400			
S0818S0046M	500			
S0818S0047M	600			
S0818S0048M	100			
S0818S0049M	150			
S0818S0050M	200			
S0818S0051M	250			
S0818S0052M	300			
S0818S0053M	350			
S0818S0054M	400			
S0818S0055M	500			

GAYSAN LIFT AMORTİSÖRÜ STANDARTLARI / GAYSAN GAS SPRING LIFT STANDARDS												
STROKE STROK (mm)	25-50	51-100	101-150	151-200	201-250	251-300	301-350	351-400	401-450	451-500	501- →	
DAMPENING FRENLEME (mm) 25	15	20	25	30	35	40	45	50	55	60	65	
EXTENSION SPEED AÇILMA HIZI (mm/sn)	100-300											
ROD / TUBE END FITTINGS MİL / BORU BAĞLANTISI	GAYSAN END FITTING CATALOG / GAYSAN BAĞLANTI KATALOĞU											

Dimensions in mm / We reserve the right to make modifications. Ölçülerde değişiklik yapma hakkımız saklıdır.

## 08-18 THREADED ENDS LIFT



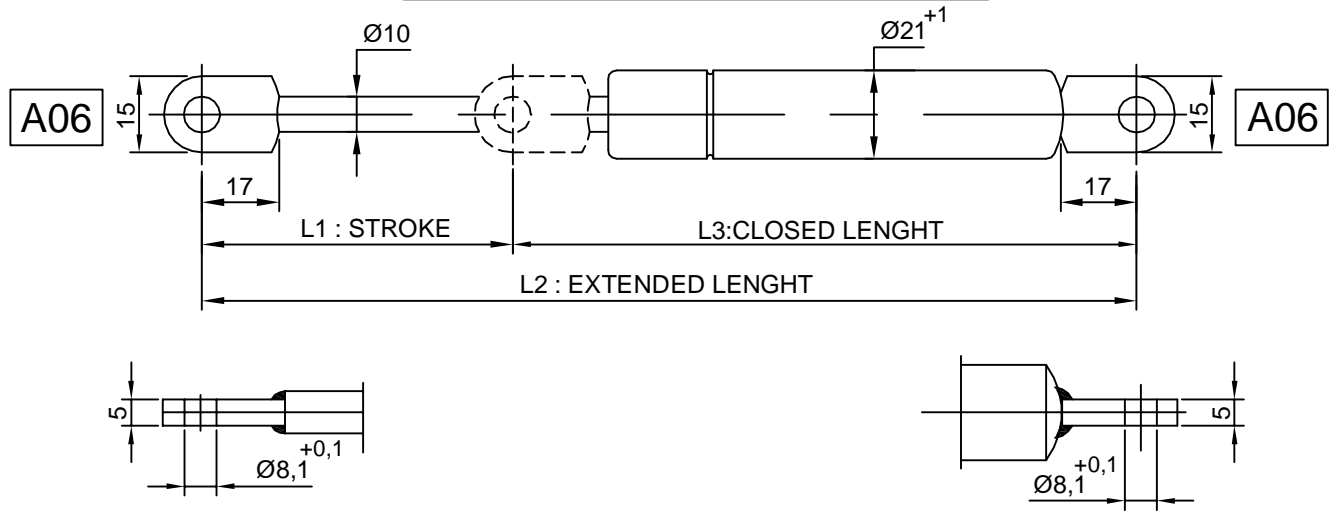
Ref.No.	F1 ( N )	L1 Stroke Strok	L2 Extended Lenght Açık Boy	L3 Closed Lenght Kapalı Boy			
S0818S0101M	500	60	220	160			
S0818S0102M	600						
S0818S0103M	500	80	260	180			
S0818S0104M	600						
S0818S0105M	500	100	300	200			
S0818S0106M	600						
S0818S0107M	500	120	340	220			
S0818S0108M	600						
S0818S0109M	400	140	380	240			
S0818S0110M	500						
S0818S0111M	600	160	420	260			
S0818S0112M	100						
S0818S0113M	150						
S0818S0114M	200						
S0818S0115M	250						
S0818S0116M	300						
S0818S0117M	350						
S0818S0118M	400						
S0818S0119M	500						
S0818S0120M	600						
S0818S0121M	100				180	460	280
S0818S0122M	150						
S0818S0123M	200						
S0818S0124M	250						
S0818S0125M	300						
S0818S0126M	350						
S0818S0127M	400						
S0818S0128M	500						
S0818S0129M	600						

Ref.No.	F1 ( N )	L1 Stroke Strok	L2 Extended Lenght Açık Boy	L3 Closed Lenght Kapalı Boy
S0818S0130M	100	200	500	300
S0818S0131M	150			
S0818S0132M	200			
S0818S0133M	250			
S0818S0134M	300			
S0818S0135M	350			
S0818S0136M	400			
S0818S0137M	500			
S0818S0138M	600	220	540	320
S0818S0139M	100			
S0818S0140M	150			
S0818S0141M	200			
S0818S0142M	250			
S0818S0143M	300			
S0818S0144M	350			
S0818S0145M	400			
S0818S0146M	500			
S0818S0147M	600			
S0818S0148M	100	250	600	350
S0818S0149M	150			
S0818S0150M	200			
S0818S0151M	250			
S0818S0152M	300			
S0818S0153M	350			
S0818S0154M	400			
S0818S0155M	500			

GAYSAN LIFT AMORTİSÖRÜ STANDARTLARI / GAYSAN GAS SPRING LIFT STANDARDS												
STROKE STROK (mm)	25-50	51-100	101-150	151-200	201-250	251-300	301-350	351-400	401-450	451-500	501- →	
DAMPENING FRENLEME (mm) 25	15	20	25	30	35	40	45	50	55	60	65	
EXTENSION SPEED AÇILMA HIZI (mm/sn)	100-300											
ROD / TUBE END FITTINGS MİL / BORU BAĞLANTISI	GAYSAN END FITTING CATALOG / GAYSAN BAĞLANTI KATALOĞU											

Dimensions in mm / We reserve the right to make modifications. Ölçülerde değişiklik yapma hakkımız saklıdır.

## 10-21 WELDED EYES LIFT

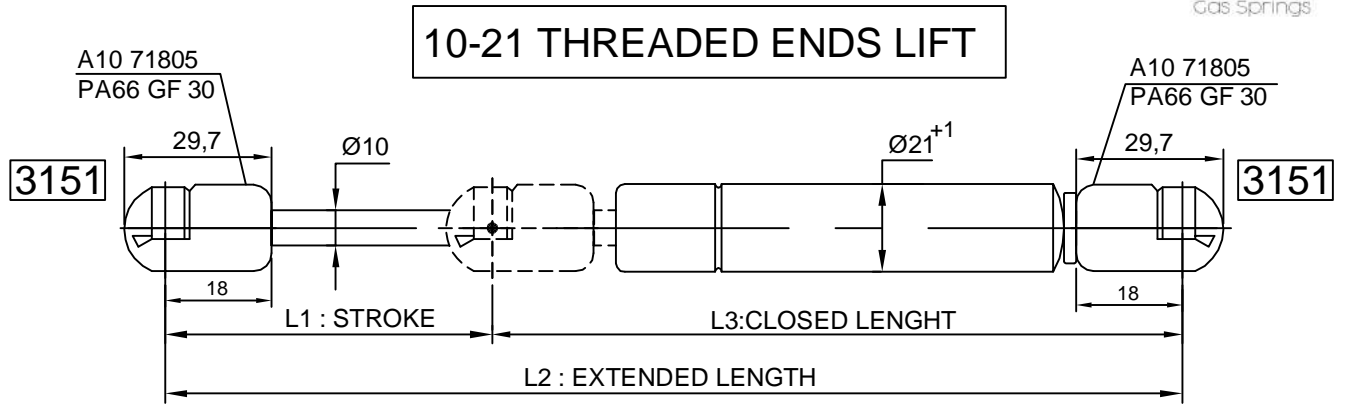


Ref.No.	F1 ( N )	L1 Stroke Strok	L2 Extended Lenght Açık Boy	L3 Closed Lenght Kapalı Boy
S1021S0001K	900	95	285	190
S1021S0002K	1000			
S1021S0003K	1150			
S1021S0004K	900	145	385	240
S1021S0005K	1000			
S1021S0006K	1150			
S1021S0007K	900	195	485	290
S1021S0008K	1000			
S1021S0009K	1150			
S1021S0010K	900	245	585	340
S1021S0011K	1000			
S1021S0012K	1150			
S1021S0013K	150	295	685	390
S1021S0014K	200			
S1021S0015K	250			
S1021S0016K	300			
S1021S0017K	350			
S1021S0018K	400			
S1021S0019K	500			
S1021S0020K	600			
S1021S0021K	700			
S1021S0022K	800			
S1021S0023K	900			
S1021S0024K	1000			
S1021S0025K	1150			

Ref.No.	F1 ( N )	L1 Stroke Strok	L2 Extended Lenght Açık Boy	L3 Closed Lenght Kapalı Boy
S1021S0026K	150	345	785	440
S1021S0027K	200			
S1021S0028K	250			
S1021S0029K	300			
S1021S0030K	350			
S1021S0031K	400			
S1021S0032K	500			
S1021S0033K	600			
S1021S0034K	700			
S1021S0035K	800			
S1021S0036K	900			
S1021S0037K	1000			
S1021S0038K	1150	395	885	490
S1021S0039K	150			
S1021S0040K	200			
S1021S0041K	250			
S1021S0042K	300			
S1021S0043K	350			
S1021S0044K	400			
S1021S0045K	500			
S1021S0046K	600			
S1021S0047K	700			
S1021S0048K	800			
S1021S0049K	900			
S1021S0050K	1000			

GAYSAN LIFT AMORTİSÖRÜ STANDARTLARI / GAYSAN GAS SPRING LIFT STANDARDS											
STROKE STROK (mm)	25-50	51-100	101-150	151-200	201-250	251-300	301-350	351-400	401-450	451-500	501- →
DAMPENING FRENLEME (mm) 25	15	20	25	30	35	40	45	50	55	60	65
EXTENSION SPEED AÇILMA HIZI (mm/sn)	100-300										
ROD / TUBE END FITTINGS MİL / BORU BAĞLANTISI	GAYSAN END FITTING CATALOG / GAYSAN BAĞLANTI KATALOĞU										

Dimensions in mm / We reserve the right to make modifications. Ölçülerde değişiklik yapma hakkımız saklıdır.



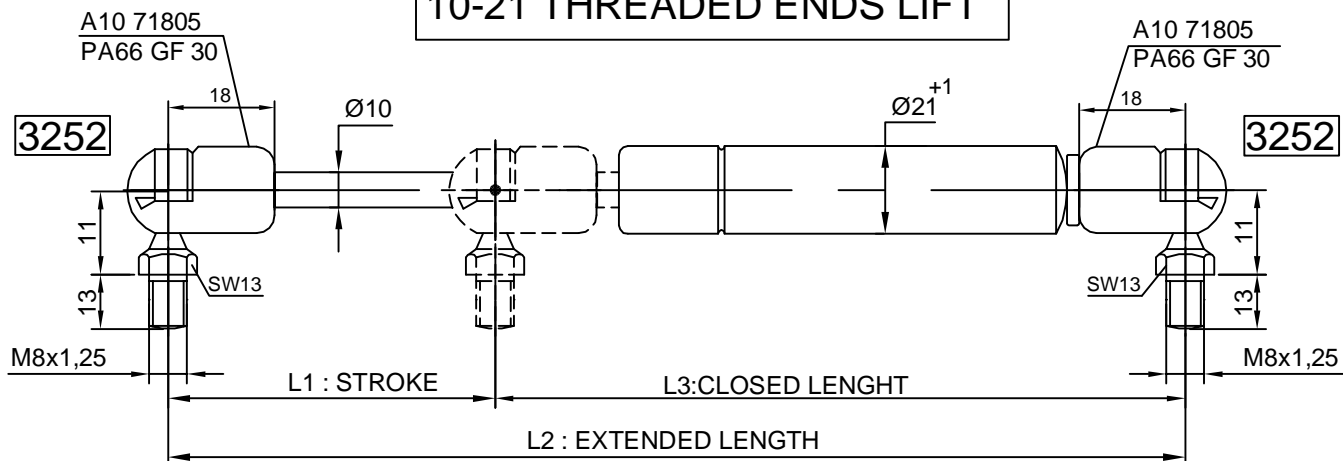
Ref.No.	F1 ( N )	L1 Stroke Strok	L2 Extended Lenght Açık Boy	L3 Closed Lenght Kapalı Boy
S1021S0001P	900	100	290	190
S1021S0002P	1000			
S1021S0003P	1150			
S1021S0004P	900	150	390	240
S1021S0005P	1000			
S1021S0006P	1150			
S1021S0007P	900	200	490	290
S1021S0008P	1000			
S1021S0009P	1150			
S1021S0010P	900	250	590	340
S1021S0011P	1000			
S1021S0012P	1150			
S1021S0013P	150	300	700	400
S1021S0014P	200			
S1021S0015P	250			
S1021S0016P	300			
S1021S0017P	350			
S1021S0018P	400			
S1021S0019P	500			
S1021S0020P	600			
S1021S0021P	700			
S1021S0022P	800			
S1021S0023P	900			
S1021S0024P	1000			
S1021S0025P	1150			

Ref.No.	F1 ( N )	L1 Stroke Strok	L2 Extended Lenght Açık Boy	L3 Closed Lenght Kapalı Boy
S1021S0026P	150	350	800	450
S1021S0027P	200			
S1021S0028P	250			
S1021S0029P	300			
S1021S0030P	350			
S1021S0031P	400			
S1021S0032P	500			
S1021S0033P	600			
S1021S0034P	700			
S1021S0035P	800			
S1021S0036P	900			
S1021S0037P	1000			
S1021S0038P	1150			
S1021S0039P	150	400	900	500
S1021S0040P	200			
S1021S0041P	250			
S1021S0042P	300			
S1021S0043P	350			
S1021S0044P	400			
S1021S0045P	500			
S1021S0046P	600			
S1021S0047P	700			
S1021S0048P	800			
S1021S0049P	900			
S1021S0050P	1000			

GAYSAN LIFT AMORTİSÖRÜ STANDARTLARI / GAYSAN GAS SPRING LIFT STANDARDS											
STROKE STROK (mm)	25-50	51-100	101-150	151-200	201-250	251-300	301-350	351-400	401-450	451-500	501- →
DAMPENING FRENLEME (mm) 25	15	20	25	30	35	40	45	50	55	60	65
EXTENSION SPEED AÇILMA HIZI (mm/sn)	100-300										
ROD / TUBE END FITTINGS MİL / BORU BAĞLANTISI	GAYSAN END FITTING CATALOG / GAYSAN BAĞLANTI KATALOĞU										

Dimensions in mm / We reserve the right to make modifications. Ölçülerde değişiklik yapma hakkımız saklıdır.

## 10-21 THREADED ENDS LIFT

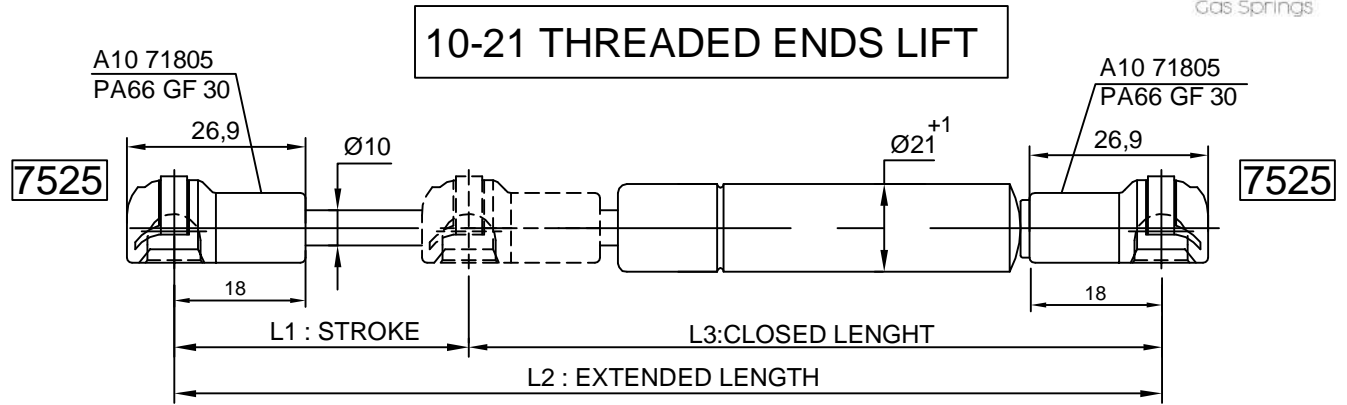


Ref.No.	F1 ( N )	L1 Stroke Strok	L2 Extended Lenght Açık Boy	L3 Closed Lenght Kapalı Boy
S1021S0101P	900	100	290	190
S1021S0102P	1000			
S1021S0103P	1150			
S1021S0104P	900	150	390	240
S1021S0105P	1000			
S1021S0106P	1150			
S1021S0107P	900	200	490	290
S1021S0108P	1000			
S1021S0109P	1150			
S1021S0110P	900	250	590	340
S1021S0111P	1000			
S1021S0112P	1150			
S1021S0113P	150	300	700	400
S1021S0114P	200			
S1021S0115P	250			
S1021S0116P	300			
S1021S0117P	350			
S1021S0118P	400			
S1021S0119P	500			
S1021S0120P	600			
S1021S0121P	700			
S1021S0122P	800			
S1021S0123P	900			
S1021S0124P	1000			
S1021S0125P	1150			

Ref.No.	F1 ( N )	L1 Stroke Strok	L2 Extended Lenght Açık Boy	L3 Closed Lenght Kapalı Boy
S1021S0126P	150	350	800	450
S1021S0127P	200			
S1021S0128P	250			
S1021S0129P	300			
S1021S0130P	350			
S1021S0131P	400			
S1021S0132P	500			
S1021S0133P	600			
S1021S0134P	700			
S1021S0135P	800			
S1021S0136P	900			
S1021S0137P	1000			
S1021S0138P	1150	400	900	500
S1021S0139P	150			
S1021S0140P	200			
S1021S0141P	250			
S1021S0142P	300			
S1021S0143P	350			
S1021S0144P	400			
S1021S0145P	500			
S1021S0146P	600			
S1021S0147P	700			
S1021S0148P	800			
S1021S0149P	900			
S1021S0150P	1000			

GAYSAN LIFT AMORTİSÖRÜ STANDARTLARI / GAYSAN GAS SPRING LIFT STANDARDS											
STROKE STROK (mm)	25-50	51-100	101-150	151-200	201-250	251-300	301-350	351-400	401-450	451-500	501- →
DAMPENING FRENLEME (mm) 25	15	20	25	30	35	40	45	50	55	60	65
EXTENSION SPEED AÇILMA HIZI (mm/sn)	100-300										
ROD / TUBE END FITTINGS MİL / BORU BAĞLANTISI	GAYSAN END FITTING CATALOG / GAYSAN BAĞLANTI KATALOĞU										

Dimensions in mm / We reserve the right to make modifications. Ölçülerde değişiklik yapma hakkımız saklıdır.

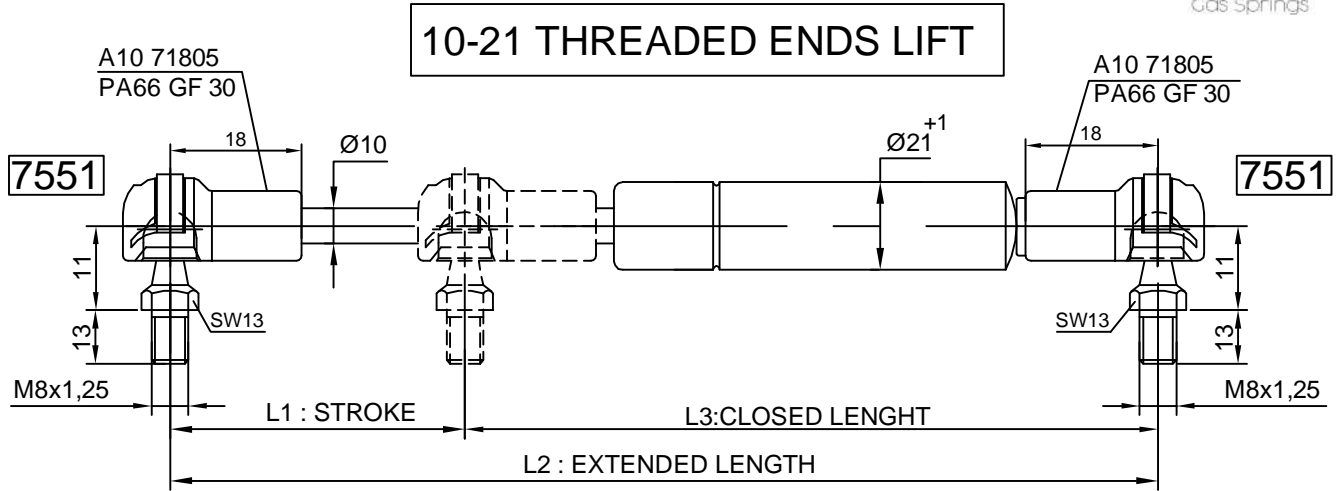


Ref.No.	F1 ( N )	L1 Stroke Strok	L2 Extended Length Açık Boy	L3 Closed Length Kapalı Boy
S1021S0201P	900	100	290	190
S1021S0202P	1000			
S1021S0203P	1150			
S1021S0204P	900	150	390	240
S1021S0205P	1000			
S1021S0206P	1150			
S1021S0207P	900	200	490	290
S1021S0208P	1000			
S1021S0209P	1150			
S1021S0210P	900	250	590	340
S1021S0211P	1000			
S1021S0212P	1150			
S1021S0213P	150	300	700	400
S1021S0214P	200			
S1021S0215P	250			
S1021S0216P	300			
S1021S0217P	350			
S1021S0218P	400			
S1021S0219P	500			
S1021S0220P	600			
S1021S0221P	700			
S1021S0222P	800			
S1021S0223P	900			
S1021S0224P	1000			
S1021S0225P	1150			

Ref.No.	F1 ( N )	L1 Stroke Strok	L2 Extended Length Açık Boy	L3 Closed Length Kapalı Boy
S1021S0226P	150	350	800	450
S1021S0227P	200			
S1021S0228P	250			
S1021S0229P	300			
S1021S0230P	350			
S1021S0231P	400			
S1021S0232P	500			
S1021S0233P	600			
S1021S0234P	700			
S1021S0235P	800			
S1021S0236P	900			
S1021S0237P	1000			
S1021S0238P	1150	400	900	500
S1021S0239P	150			
S1021S0240P	200			
S1021S0241P	250			
S1021S0242P	300			
S1021S0243P	350			
S1021S0244P	400			
S1021S0245P	500			
S1021S0246P	600			
S1021S0247P	700			
S1021S0248P	800			
S1021S0249P	900			
S1021S0250P	1000			

GAYSAN LIFT AMORTİSÖRÜ STANDARTLARI / GAYSAN GAS SPRING STANDARDS											
STROKE STROK (mm)	25-50	51-100	101-150	151-200	201-250	251-300	301-350	351-400	401-450	451-500	501- →
DAMPENING FRENLEME (mm) 25	15	20	25	30	35	40	45	50	55	60	65
EXTENSION SPEED AÇILMA HIZI (mm/sn)	100-300										
ROD / TUBE END FITTINGS MİL / BORU BAĞLANTISI	GAYSAN END FITTING CATALOG / GAYSAN BAĞLANTI KATALOĞU										

Dimensions in mm / We reserve the right to make modifications. Ölçülerde değişiklik yapma hakkımız saklıdır.



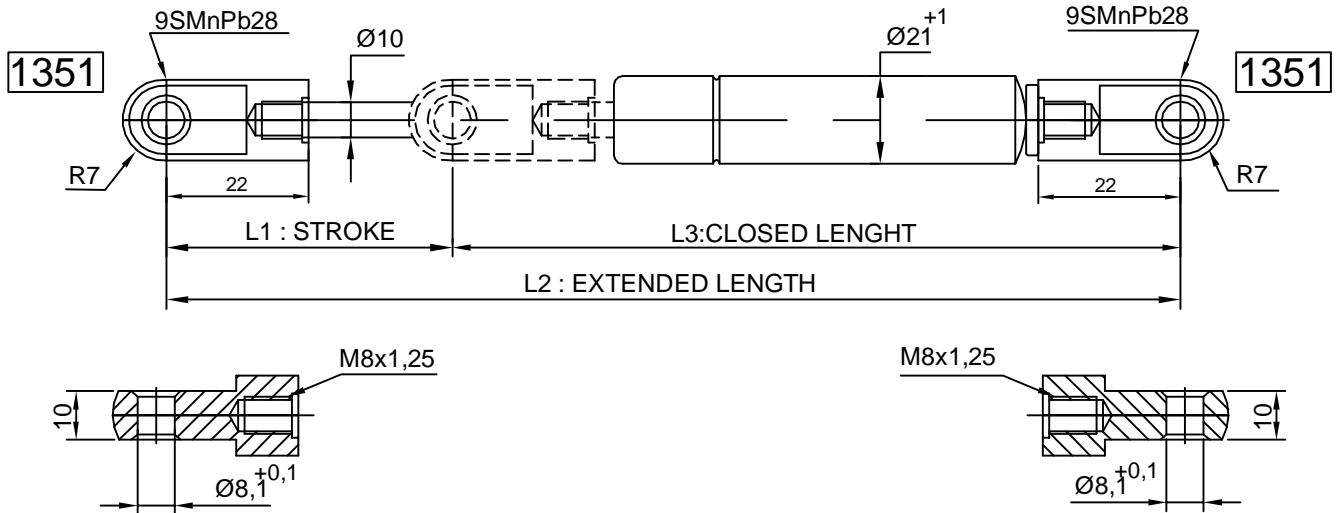
Ref.No.	F1 ( N )	L1 Stroke Strok	L2 Extended Length Açık Boy	L3 Closed Length Kapalı Boy
S1021S0301P	900	100	290	190
S1021S0302P	1000			
S1021S0303P	1150			
S1021S0304P	900	150	390	240
S1021S0305P	1000			
S1021S0306P	1150			
S1021S0307P	900	200	490	290
S1021S0308P	1000			
S1021S0309P	1150			
S1021S0310P	900	250	590	340
S1021S0311P	1000			
S1021S0312P	1150			
S1021S0313P	150	300	700	400
S1021S0314P	200			
S1021S0315P	250			
S1021S0316P	300			
S1021S0317P	350			
S1021S0318P	400			
S1021S0319P	500			
S1021S0320P	600			
S1021S0321P	700			
S1021S0322P	800			
S1021S0323P	900			
S1021S0324P	1000			
S1021S0325P	1150			

Ref.No.	F1 ( N )	L1 Stroke Strok	L2 Extended Length Açık Boy	L3 Closed Length Kapalı Boy
S1021S0326P	150	350	800	450
S1021S0327P	200			
S1021S0328P	250			
S1021S0329P	300			
S1021S0330P	350			
S1021S0331P	400			
S1021S0332P	500			
S1021S0333P	600			
S1021S0334P	700			
S1021S0335P	800			
S1021S0336P	900			
S1021S0337P	1000			
S1021S0338P	1150	400	900	500
S1021S0339P	150			
S1021S0340P	200			
S1021S0341P	250			
S1021S0342P	300			
S1021S0343P	350			
S1021S0344P	400			
S1021S0345P	500			
S1021S0346P	600			
S1021S0347P	700			
S1021S0348P	800			
S1021S0349P	900			
S1021S0350P	1000			

GAYSAN LIFT AMORTİSÖRÜ STANDARTLARI / GAYSAN GAS SPRING LIFT STANDARDS											
STROKE STROK (mm)	25-50	51-100	101-150	151-200	201-250	251-300	301-350	351-400	401-450	451-500	501- →
DAMPENING FRENLEME (mm) 25	15	20	25	30	35	40	45	50	55	60	65
EXTENSION SPEED AÇILMA HIZI (mm/sn)	100-300										
ROD / TUBE END FITTINGS MİL / BORU BAĞLANTISI	GAYSAN END FITTING CATALOG / GAYSAN BAĞLANTI KATALOĞU										

Dimensions in mm / We reserve the right to make modifications. Ölçülerde değişiklik yapma hakkımız saklıdır.

## 10-21 THREADED ENDS LIFT



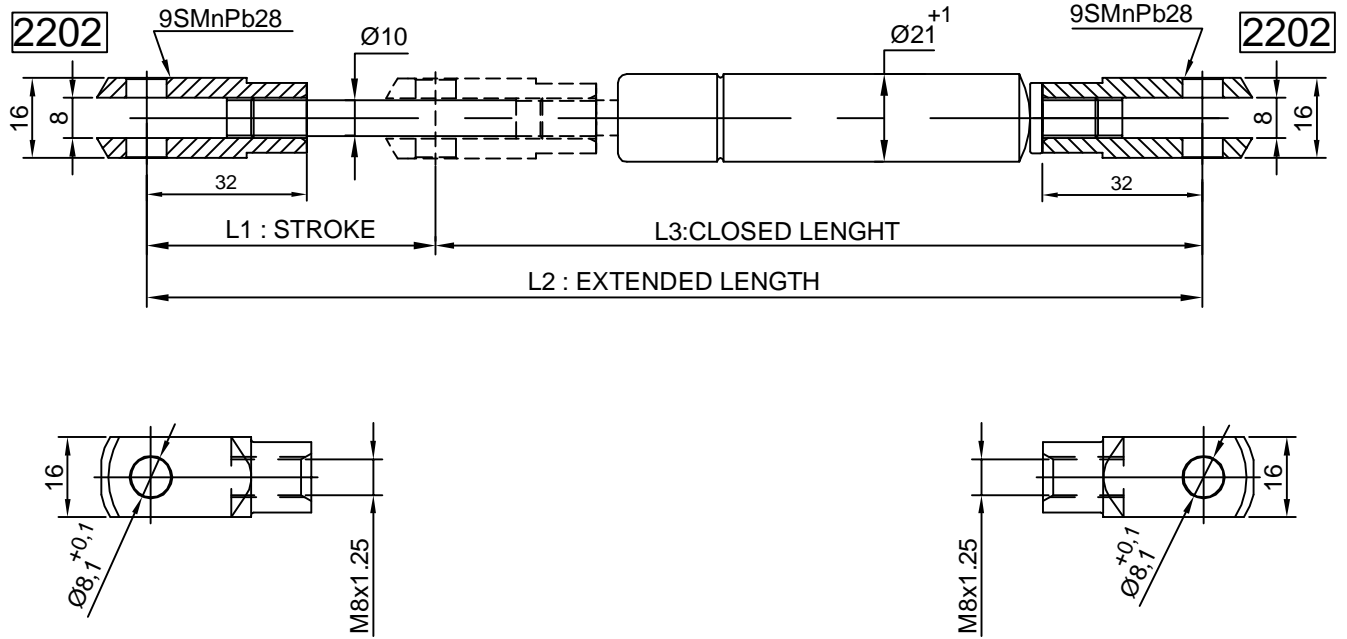
Ref.No.	F1 ( N )	L1 Stroke Strok	L2 Extended Length Açık Boy	L3 Closed Length Kapalı Boy
S1021S0001M	900	95	285	190
S1021S0002M	1000			
S1021S0003M	1150			
S1021S0004M	900	145	385	240
S1021S0005M	1000			
S1021S0006M	1150			
S1021S0007M	900	195	485	290
S1021S0008M	1000			
S1021S0009M	1150			
S1021S0010M	900	245	585	340
S1021S0011M	1000			
S1021S0012M	1150			
S1021S0013M	150	295	700	405
S1021S0014M	200			
S1021S0015M	250			
S1021S0016M	300			
S1021S0017M	350			
S1021S0018M	400			
S1021S0019M	500			
S1021S0020M	600			
S1021S0021M	700			
S1021S0022M	800			
S1021S0023M	900			
S1021S0024M	1000			
S1021S0025M	1150			

Ref.No.	F1 ( N )	L1 Stroke Strok	L2 Extended Length Açık Boy	L3 Closed Length Kapalı Boy
S1021S0026M	150	345	800	455
S1021S0027M	200			
S1021S0028M	250			
S1021S0029M	300			
S1021S0030M	350			
S1021S0031M	400			
S1021S0032M	500			
S1021S0033M	600			
S1021S0034M	700			
S1021S0035M	800			
S1021S0036M	900			
S1021S0037M	1000			
S1021S0038M	1150	395	900	505
S1021S0039M	150			
S1021S0040M	200			
S1021S0041M	250			
S1021S0042M	300			
S1021S0043M	350			
S1021S0044M	400			
S1021S0045M	500			
S1021S0046M	600			
S1021S0047M	700			
S1021S0048M	800			
S1021S0049M	900			
S1021S0050M	1000			

GAYSAN LIFT AMORTİSÖRÜ STANDARTLARI / GAYSAN GAS SPRING LIFT STANDARDS											
STROKE STROK (mm)	25-50	51-100	101-150	151-200	201-250	251-300	301-350	351-400	401-450	451-500	501- →
DAMPENING FRENLEME (mm) 25	15	20	25	30	35	40	45	50	55	60	65
EXTENSION SPEED AÇILMA HIZI (mm/sn)	100-300										
ROD / TUBE END FITTINGS MİL / BORU BAĞLANTISI	GAYSAN END FITTING CATALOG / GAYSAN BAĞLANTI KATALOĞU										

Dimensions in mm / We reserve the right to make modifications. Ölçülerde değişiklik yapma hakkımız saklıdır.

## 10-21 THREADED ENDS LIFT



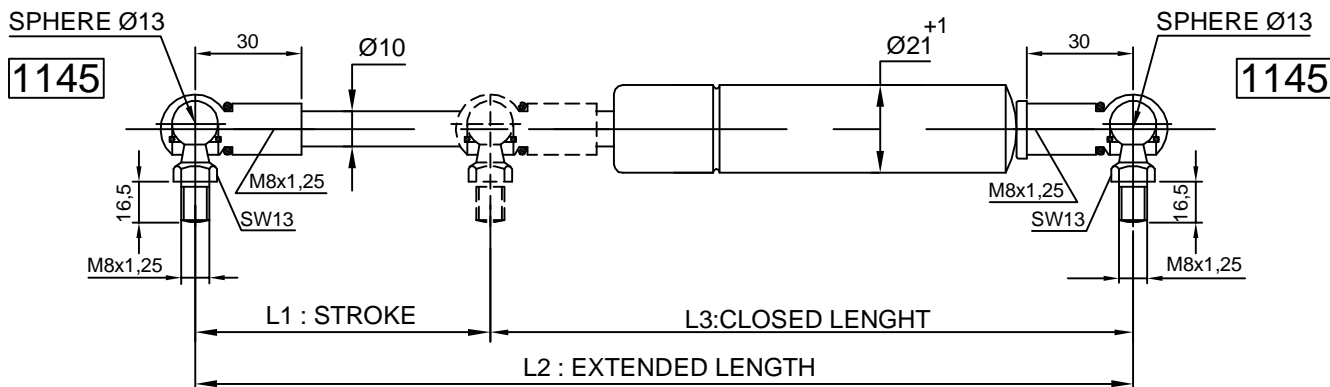
Ref.No.	F1 ( N )	L1 Stroke Strok	L2 Extended Length Açık Boy	L3 Closed Length Kapalı Boy
S1021S0101M	900	95	300	205
S1021S0102M	1000			
S1021S0103M	1150			
S1021S0104M	900	145	400	255
S1021S0105M	1000			
S1021S0106M	1150			
S1021S0107M	900	195	500	305
S1021S0108M	1000			
S1021S0109M	1150			
S1021S0110M	900	245	610	365
S1021S0111M	1000			
S1021S0112M	1150			
S1021S0113M	150	295	705	410
S1021S0114M	200			
S1021S0115M	250			
S1021S0116M	300			
S1021S0117M	350			
S1021S0118M	400			
S1021S0119M	500			
S1021S0120M	600			
S1021S0121M	700			
S1021S0122M	800			
S1021S0123M	900			
S1021S0124M	1000			
S1021S0125M	1150			

Ref.No.	F1 ( N )	L1 Stroke Strok	L2 Extended Length Açık Boy	L3 Closed Length Kapalı Boy
S1021S0126M	150	345	820	475
S1021S0127M	200			
S1021S0128M	250			
S1021S0129M	300			
S1021S0130M	350			
S1021S0131M	400			
S1021S0132M	500			
S1021S0133M	600			
S1021S0134M	700			
S1021S0135M	800			
S1021S0136M	900			
S1021S0137M	1000			
S1021S0138M	1150	395	920	525
S1021S0139M	150			
S1021S0140M	200			
S1021S0141M	250			
S1021S0142M	300			
S1021S0143M	350			
S1021S0144M	400			
S1021S0145M	500			
S1021S0146M	600			
S1021S0147M	700			
S1021S0148M	800			
S1021S0149M	900			
S1021S0150M	1000			

GAYSAN LIFT AMORTİSÖRÜ STANDARTLARI / GAYSAN GAS SPRING LIFT STANDARDS											
STROKE STROK (mm)	25-50	51-100	101-150	151-200	201-250	251-300	301-350	351-400	401-450	451-500	501- →
DAMPENING FRENLEME (mm) 25	15	20	25	30	35	40	45	50	55	60	65
EXTENSION SPEED AÇILMA HIZI (mm/sn)	100-300										
ROD / TUBE END FITTINGS MİL / BORU BAĞLANTISI	GAYSAN END FITTING CATALOG / GAYSAN BAĞLANTI KATALOĞU										

Dimensions in mm / We reserve the right to make modifications. Ölçülerde değişiklik yapma hakkımız saklıdır.

## 10-21 THREADED ENDS LIFT



Ref.No.	F1 ( N )	L1 Stroke Strok	L2 Extended Length Açık Boy	L3 Closed Length Kapalı Boy
S1021S0201M	900	95	300	205
S1021S0202M	1000			
S1021S0203M	1150			
S1021S0204M	900	145	400	255
S1021S0205M	1000			
S1021S0206M	1150			
S1021S0207M	900	195	500	305
S1021S0208M	1000			
S1021S0209M	1150			
S1021S0210M	900	245	610	365
S1021S0211M	1000			
S1021S0212M	1150			
S1021S0213M	150	295	705	410
S1021S0214M	200			
S1021S0215M	250			
S1021S0216M	300			
S1021S0217M	350			
S1021S0218M	400			
S1021S0219M	500			
S1021S0220M	600			
S1021S0221M	700			
S1021S0222M	800			
S1021S0223M	900			
S1021S0224M	1000			
S1021S0225M	1150			

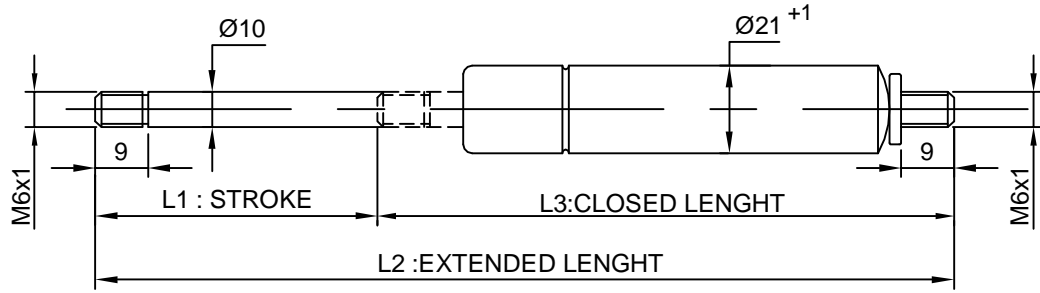
Ref.No.	F1 ( N )	L1 Stroke Strok	L2 Extended Length Açık Boy	L3 Closed Length Kapalı Boy
S1021S0226M	150	345	820	475
S1021S0227M	200			
S1021S0228M	250			
S1021S0229M	300			
S1021S0230M	350			
S1021S0231M	400			
S1021S0232M	500			
S1021S0233M	600			
S1021S0234M	700			
S1021S0235M	800			
S1021S0236M	900			
S1021S0237M	1000			
S1021S0238M	1150	395	920	525
S1021S0239M	150			
S1021S0240M	200			
S1021S0241M	250			
S1021S0242M	300			
S1021S0243M	350			
S1021S0244M	400			
S1021S0245M	500			
S1021S0246M	600			
S1021S0247M	700			
S1021S0248M	800			
S1021S0249M	900			
S1021S0250M	1000			

GAYSAN LIFT AMORTİSÖRÜ STANDARTLARI / GAYSAN GAS SPRING LIFT STANDARDS											
STROKE STROK (mm)	25-50	51-100	101-150	151-200	201-250	251-300	301-350	351-400	401-450	451-500	501- →
DAMPENING FRENLEME (mm) 25	15	20	25	30	35	40	45	50	55	60	65
EXTENSION SPEED AÇILMA HIZI (mm/sn)	100-300										
ROD / TUBE END FITTINGS MİL / BORU BAĞLANTISI	GAYSAN END FITTING CATALOG / GAYSAN BAĞLANTI KATALOĞU										

Dimensions in mm / We reserve the right to make modifications. Ölçülerde değişiklik yapma hakkımız saklıdır.

## 10-21 THREADED ENDS LIFT

7274



KT13

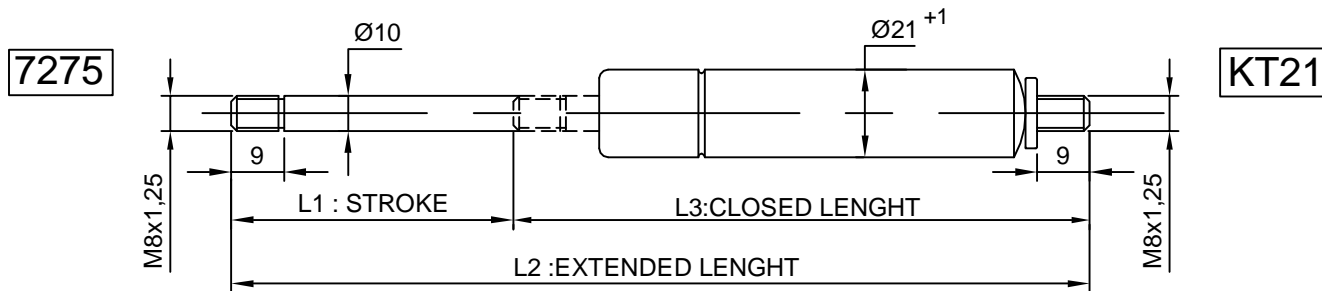
Ref.No.	F1 ( N )	L1 Stroke Strok	L2 Extended Length Açık Boy	L3 Closed Length Kapalı Boy
S1021S0001D	900	100	270	170
S1021S0002D	1000			
S1021S0003D	1150			
S1021S0004D	900	150	370	220
S1021S0005D	1000			
S1021S0006D	1150			
S1021S0007D	900	200	470	270
S1021S0008D	1000			
S1021S0009D	1150			
S1021S0010D	900	250	570	320
S1021S0011D	1000			
S1021S0012D	1150			
S1021S0013D	150	300	685	385
S1021S0014D	200			
S1021S0015D	250			
S1021S0016D	300			
S1021S0017D	350			
S1021S0018D	400			
S1021S0019D	500			
S1021S0020D	600			
S1021S0021D	700			
S1021S0022D	800			
S1021S0023D	900			
S1021S0024D	1000			
S1021S0025D	1150			

Ref.No.	F1 ( N )	L1 Stroke Strok	L2 Extended Length Açık Boy	L3 Closed Length Kapalı Boy
S1021S0026D	150	350	785	435
S1021S0027D	200			
S1021S0028D	250			
S1021S0029D	300			
S1021S0030D	350			
S1021S0031D	400			
S1021S0032D	500			
S1021S0033D	600			
S1021S0034D	700			
S1021S0035D	800			
S1021S0036D	900			
S1021S0037D	1000			
S1021S0038D	1150	400	885	485
S1021S0039D	150			
S1021S0040D	200			
S1021S0041D	250			
S1021S0042D	300			
S1021S0043D	350			
S1021S0044D	400			
S1021S0045D	500			
S1021S0046D	600			
S1021S0047D	700			
S1021S0048D	800			
S1021S0049D	900			
S1021S0050D	1000			

GAYSAN LIFT AMORTİSÖRÜ STANDARTLARI / GAYSAN GAS SPRING LIFT STANDARDS											
STROKE STROK (mm)	25-50	51-100	101-150	151-200	201-250	251-300	301-350	351-400	401-450	451-500	501- →
DAMPENING FRENLEME (mm) 25	15	20	25	30	35	40	45	50	55	60	65
EXTENSION SPEED AÇILMA HIZI (mm/sn)	100-300										
ROD / TUBE END FITTINGS MİL / BORU BAĞLANTISI	GAYSAN END FITTING CATALOG / GAYSAN BAĞLANTI KATALOĞU										

Dimensions in mm / We reserve the right to make modifications. Ölçülerde değişiklik yapma hakkımız saklıdır.

## 10-21 THREADED ENDS LIFT



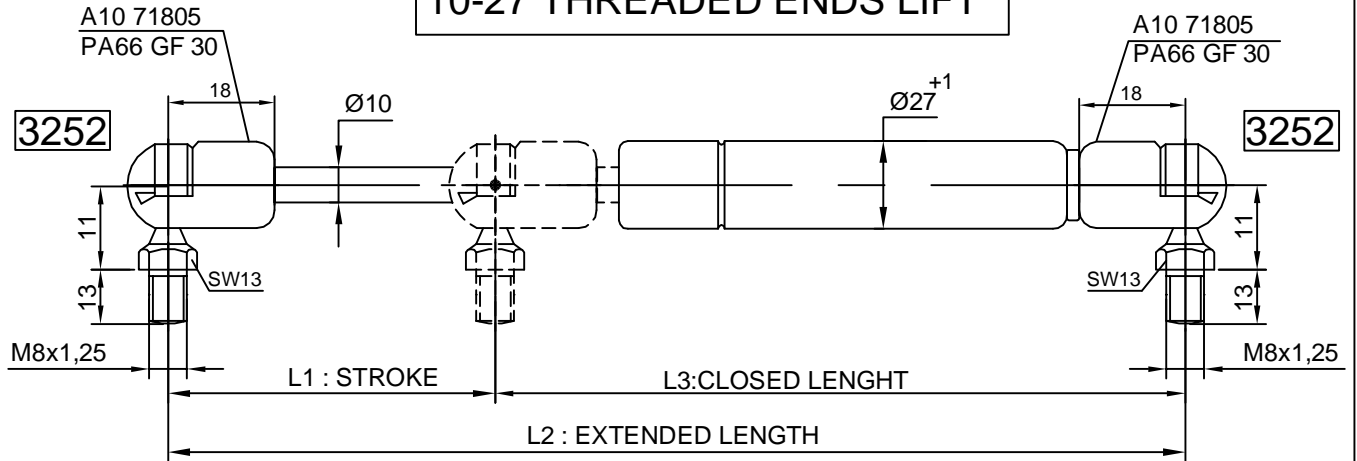
Ref.No.	F1 ( N )	L1 Stroke Strok	L2 Extended Lenght Açık Boy	L3 Closed Lenght Kapalı Boy
S1021S0101D	900	100	270	170
S1021S0102D	1000			
S1021S0103D	1150			
S1021S0104D	900	150	370	220
S1021S0105D	1000			
S1021S0106D	1150			
S1021S0107D	900	200	470	270
S1021S0108D	1000			
S1021S0109D	1150			
S1021S0110D	900	250	570	320
S1021S0111D	1000			
S1021S0112D	1150			
S1021S0113D	150	300	685	385
S1021S0114D	200			
S1021S0115D	250			
S1021S0116D	300			
S1021S0117D	350			
S1021S0118D	400			
S1021S0119D	500			
S1021S0120D	600			
S1021S0121D	700			
S1021S0122D	800			
S1021S0123D	900			
S1021S0124D	1000			
S1021S0125D	1150			

Ref.No.	F1 ( N )	L1 Stroke Strok	L2 Extended Lenght Açık Boy	L3 Closed Lenght Kapalı Boy
S1021S0126D	150	350	785	435
S1021S0127D	200			
S1021S0128D	250			
S1021S0129D	300			
S1021S0130D	350			
S1021S0131D	400			
S1021S0132D	500			
S1021S0133D	600			
S1021S0134D	700			
S1021S0135D	800			
S1021S0136D	900			
S1021S0137D	1000			
S1021S0138D	1150			
S1021S0139D	150	400	885	485
S1021S0140D	200			
S1021S0141D	250			
S1021S0142D	300			
S1021S0143D	350			
S1021S0144D	400			
S1021S0145D	500			
S1021S0146D	600			
S1021S0147D	700			
S1021S0148D	800			
S1021S0149D	900			
S1021S0150D	1000			

GAYSAN LIFT AMORTİSÖRÜ STANDARTLARI / GAYSAN GAS SPRING LIFT STANDARDS											
STROKE STROK (mm)	25-50	51-100	101-150	151-200	201-250	251-300	301-350	351-400	401-450	451-500	501- →
DAMPENING FRENLEME (mm) 25	15	20	25	30	35	40	45	50	55	60	65
EXTENSION SPEED AÇILMA HIZI (mm/sn)	100-300										
ROD / TUBE END FITTINGS MİL / BORU BAĞLANTISI	GAYSAN END FITTING CATALOG / GAYSAN BAĞLANTI KATALOĞU										

Dimensions in mm / We reserve the right to make modifications. Ölçülerde değişiklik yapma hakkımız saklıdır.

## 10-27 THREADED ENDS LIFT



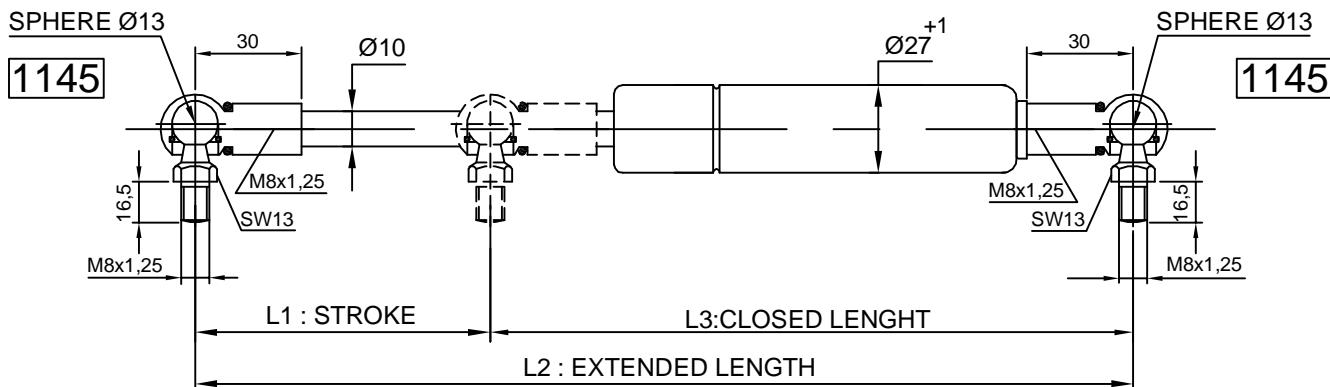
Ref.No.	F1 ( N )	L1 Stroke Strok	L2 Extended Length Açık Boy	L3 Closed Length Kapalı Boy
S1027S0001P	900	100	290	190
S1027S0002P	1000			
S1027S0003P	1150			
S1027S0004P	900	150	390	240
S1027S0005P	1000			
S1027S0006P	1150			
S1027S0007P	900	200	490	290
S1027S0008P	1000			
S1027S0009P	1150			
S1027S0010P	900	250	590	340
S1027S0011P	1000			
S1027S0012P	1150			
S1027S0013P	150	300	690	390
S1027S0014P	200			
S1027S0015P	250			
S1027S0016P	300			
S1027S0017P	350			
S1027S0018P	400			
S1027S0019P	500			
S1027S0020P	600			
S1027S0021P	700			
S1027S0022P	800			
S1027S0023P	900			
S1027S0024P	1000			
S1027S0025P	1150			

Ref.No.	F1 ( N )	L1 Stroke Strok	L2 Extended Length Açık Boy	L3 Closed Length Kapalı Boy
S1027S0026P	150	350	805	455
S1027S0027P	200			
S1027S0028P	250			
S1027S0029P	300			
S1027S0030P	350			
S1027S0031P	400			
S1027S0032P	500			
S1027S0033P	600			
S1027S0034P	700			
S1027S0035P	800			
S1027S0036P	900			
S1027S0037P	1000	400	905	505
S1027S0038P	1150			
S1027S0039P	150			
S1027S0040P	200			
S1027S0041P	250			
S1027S0042P	300			
S1027S0043P	350			
S1027S0044P	400			
S1027S0045P	500			
S1027S0046P	600			
S1027S0047P	700			
S1027S0048P	800			
S1027S0049P	900			
S1027S0050P	1000			

GAYSAN LIFT AMORTİSÖRÜ STANDARTLARI / GAYSAN GAS SPRING LIFT STANDARDS											
STROKE STROK (mm)	25-50	51-100	101-150	151-200	201-250	251-300	301-350	351-400	401-450	451-500	501- →
DAMPENING FRENLEME (mm) 25	15	20	25	30	35	40	45	50	55	60	65
EXTENSION SPEED AÇILMA HIZI (mm/sn)	100-300										
ROD / TUBE END FITTINGS MİL / BORU BAĞLANTISI	GAYSAN END FITTING CATALOG / GAYSAN BAĞLANTI KATALOĞU										

Dimensions in mm / We reserve the right to make modifications. Ölçülerde değişiklik yapma hakkımız saklıdır.

## 10-27 THREADED ENDS LIFT



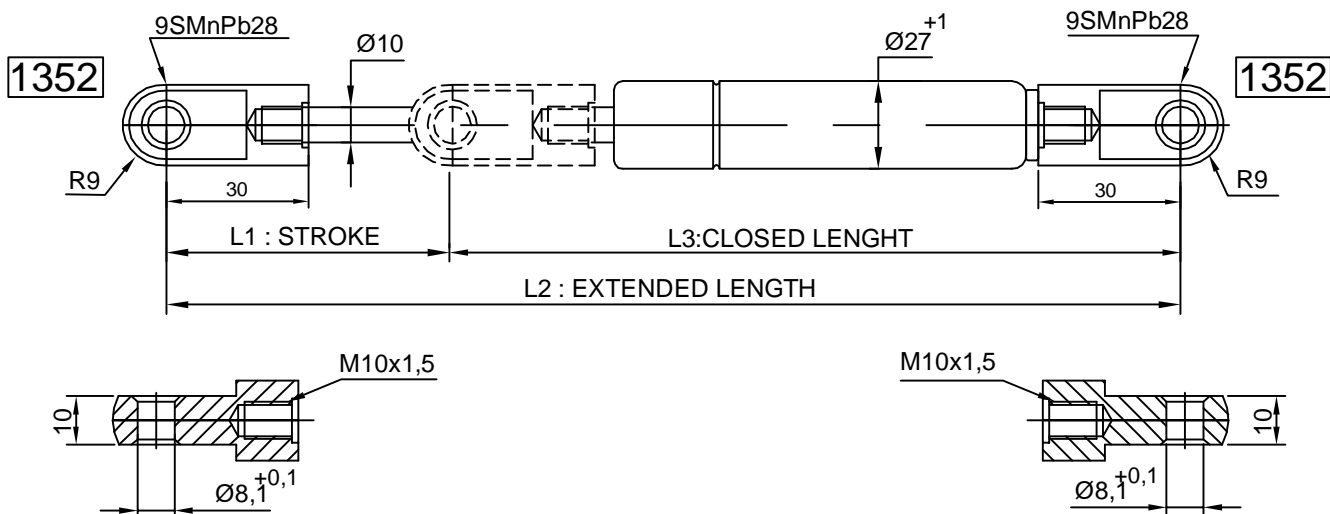
Ref.No.	F1 ( N )	L1 Stroke Strok	L2 Extended Length Açık Boy	L3 Closed Length Kapalı Boy
S1027S0001M	900	95	305	210
S1027S0002M	1000			
S1027S0003M	1150			
S1027S0004M	900	145	405	260
S1027S0005M	1000			
S1027S0006M	1150			
S1027S0007M	900	195	505	310
S1027S0008M	1000			
S1027S0009M	1150			
S1027S0010M	900	245	605	360
S1027S0011M	1000			
S1027S0012M	1150			
S1027S0013M	150	295	705	410
S1027S0014M	200			
S1027S0015M	250			
S1027S0016M	300			
S1027S0017M	350			
S1027S0018M	400			
S1027S0019M	500			
S1027S0020M	600			
S1027S0021M	700			
S1027S0022M	800			
S1027S0023M	900			
S1027S0024M	1000			
S1027S0025M	1150			

Ref.No.	F1 ( N )	L1 Stroke Strok	L2 Extended Length Açık Boy	L3 Closed Length Kapalı Boy
S1027S0026M	150	345	820	475
S1027S0027M	200			
S1027S0028M	250			
S1027S0029M	300			
S1027S0030M	350			
S1027S0031M	400			
S1027S0032M	500			
S1027S0033M	600			
S1027S0034M	700			
S1027S0035M	800			
S1027S0036M	900			
S1027S0037M	1000			
S1027S0038M	1150	395	920	525
S1027S0039M	150			
S1027S0040M	200			
S1027S0041M	250			
S1027S0042M	300			
S1027S0043M	350			
S1027S0044M	400			
S1027S0045M	500			
S1027S0046M	600			
S1027S0047M	700			
S1027S0048M	800			
S1027S0049M	900			
S1027S0050M	1000			

GAYSAN LIFT AMORTİSÖRÜ STANDARTLARI / GAYSAN GAS SPRING LIFT STANDARDS											
STROKE STROK (mm)	25-50	51-100	101-150	151-200	201-250	251-300	301-350	351-400	401-450	451-500	501- →
DAMPENING FRENLEME (mm) 25	15	20	25	30	35	40	45	50	55	60	65
EXTENSION SPEED AÇILMA HIZI (mm/sn)	100-300										
ROD / TUBE END FITTINGS MİL / BORU BAĞLANTISI	GAYSAN END FITTING CATALOG / GAYSAN BAĞLANTI KATALOĞU										

Dimensions in mm / We reserve the right to make modifications. Ölçülerde değişiklik yapma hakkımız saklıdır.

## 10-27 THREADED ENDS LIFT



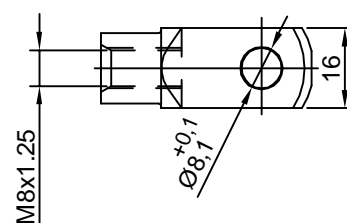
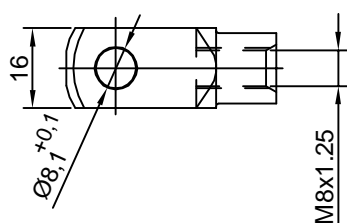
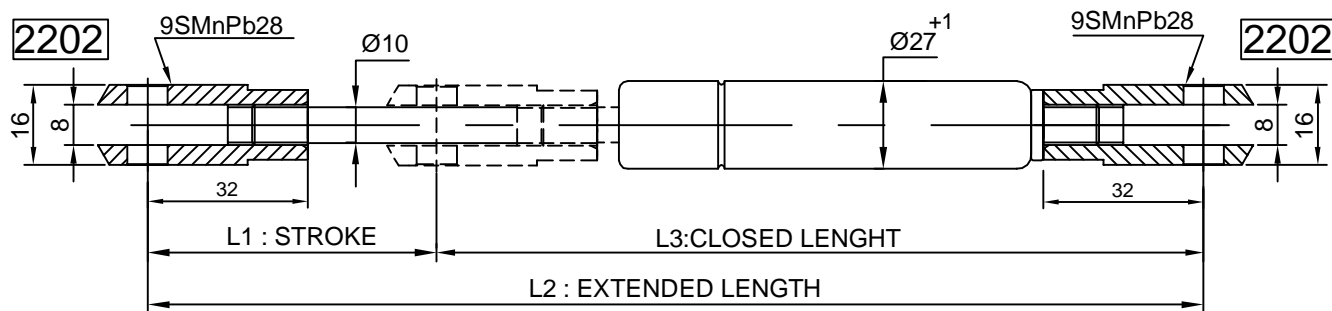
Ref.No.	F1 ( N )	L1 Stroke Strok	L2 Extended Length Açık Boy	L3 Closed Length Kapalı Boy
S1027S0101M	900	95	305	210
S1027S0102M	1000			
S1027S0103M	1150			
S1027S0104M	900	145	405	260
S1027S0105M	1000			
S1027S0106M	1150			
S1027S0107M	900	195	505	310
S1027S0108M	1000			
S1027S0109M	1150			
S1027S0110M	900	245	605	360
S1027S0111M	1000			
S1027S0112M	1150			
S1027S0113M	150	295	705	410
S1027S0114M	200			
S1027S0115M	250			
S1027S0116M	300			
S1027S0117M	350			
S1027S0118M	400			
S1027S0119M	500			
S1027S0120M	600			
S1027S0121M	700			
S1027S0122M	800			
S1027S0123M	900			
S1027S0124M	1000			
S1027S0125M	1150			

Ref.No.	F1 ( N )	L1 Stroke Strok	L2 Extended Length Açık Boy	L3 Closed Length Kapalı Boy
S1027S0126M	150	345	820	475
S1027S0127M	200			
S1027S0128M	250			
S1027S0129M	300			
S1027S0130M	350			
S1027S0131M	400			
S1027S0132M	500			
S1027S0133M	600			
S1027S0134M	700			
S1027S0135M	800			
S1027S0136M	900			
S1027S0137M	1000			
S1027S0138M	1150	395	920	525
S1027S0139M	150			
S1027S0140M	200			
S1027S0141M	250			
S1027S0142M	300			
S1027S0143M	350			
S1027S0144M	400			
S1027S0145M	500			
S1027S0146M	600			
S1027S0147M	700			
S1027S0148M	800			
S1027S0149M	900			
S1027S0150M	1000			

GAYSAN LIFT AMORTİSÖRÜ STANDARTLARI / GAYSAN GAS SPRING LIFT STANDARDS											
STROKE STROK (mm)	25-50	51-100	101-150	151-200	201-250	251-300	301-350	351-400	401-450	451-500	501- →
DAMPENING FRENLEME (mm) 25	15	20	25	30	35	40	45	50	55	60	65
EXTENSION SPEED AÇILMA HIZI (mm/sn)	100-300										
ROD / TUBE END FITTINGS MİL / BORU BAĞLANTISI	GAYSAN END FITTING CATALOG / GAYSAN BAĞLANTI KATALOĞU										

Dimensions in mm / We reserve the right to make modifications. Ölçülerde değişiklik yapma hakkımız saklıdır.

## 10-27 THREADED ENDS LIFT



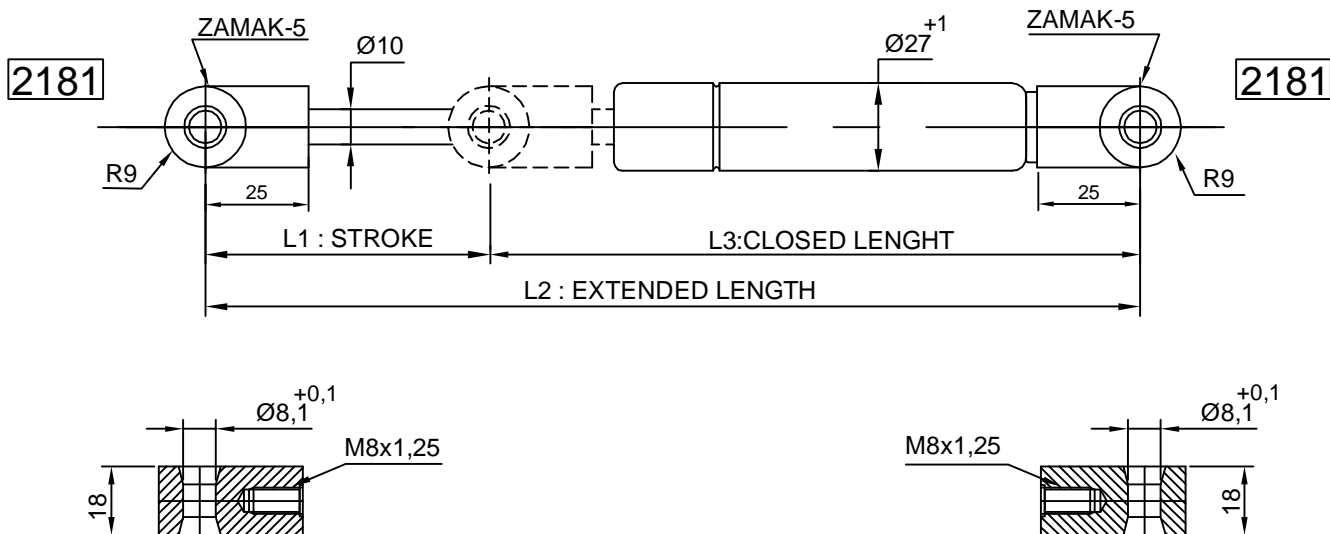
Ref.No.	F1 ( N )	L1 Stroke Strok	L2 Extended Length Açık Boy	L3 Closed Length Kapalı Boy
S1027S0201M	900	95	310	215
S1027S0202M	1000			
S1027S0203M	1150			
S1027S0204M	900	145	410	265
S1027S0205M	1000			
S1027S0206M	1150			
S1027S0207M	900	195	510	315
S1027S0208M	1000			
S1027S0209M	1150			
S1027S0210M	900	245	610	365
S1027S0211M	1000			
S1027S0212M	1150			
S1027S0213M	150	295	710	415
S1027S0214M	200			
S1027S0215M	250			
S1027S0216M	300			
S1027S0217M	350			
S1027S0218M	400			
S1027S0219M	500			
S1027S0220M	600			
S1027S0221M	700			
S1027S0222M	800			
S1027S0223M	900			
S1027S0224M	1000			
S1027S0225M	1150			

Ref.No.	F1 ( N )	L1 Stroke Strok	L2 Extended Length Açık Boy	L3 Closed Length Kapalı Boy
S1027S0226M	150	345	825	480
S1027S0227M	200			
S1027S0228M	250			
S1027S0229M	300			
S1027S0230M	350			
S1027S0231M	400			
S1027S0232M	500			
S1027S0233M	600			
S1027S0234M	700			
S1027S0235M	800			
S1027S0236M	900			
S1027S0237M	1000			
S1027S0238M	1150	395	925	530
S1027S0239M	150			
S1027S0240M	200			
S1027S0241M	250			
S1027S0242M	300			
S1027S0243M	350			
S1027S0244M	400			
S1027S0245M	500			
S1027S0246M	600			
S1027S0247M	700			
S1027S0248M	800			
S1027S0249M	900			
S1027S0250M	1000			

GAYSAN LIFT AMORTİSÖRÜ STANDARTLARI / GAYSAN GAS LIFT SPRING STANDARDS											
STROKE STROK (mm)	25-50	51-100	101-150	151-200	201-250	251-300	301-350	351-400	401-450	451-500	501- →
DAMPENING FRENLEME (mm) 25	15	20	25	30	35	40	45	50	55	60	65
EXTENSION SPEED AÇILMA HIZI (mm/sn)	100-300										
ROD / TUBE END FITTINGS MİL / BORU BAĞLANTISI	GAYSAN END FITTING CATALOG / GAYSAN BAĞLANTI KATALOĞU										

Dimensions in mm / We reserve the right to make modifications. Ölçülerde değişiklik yapma hakkımız saklıdır.

## 10-27 THREADED ENDS LIFT



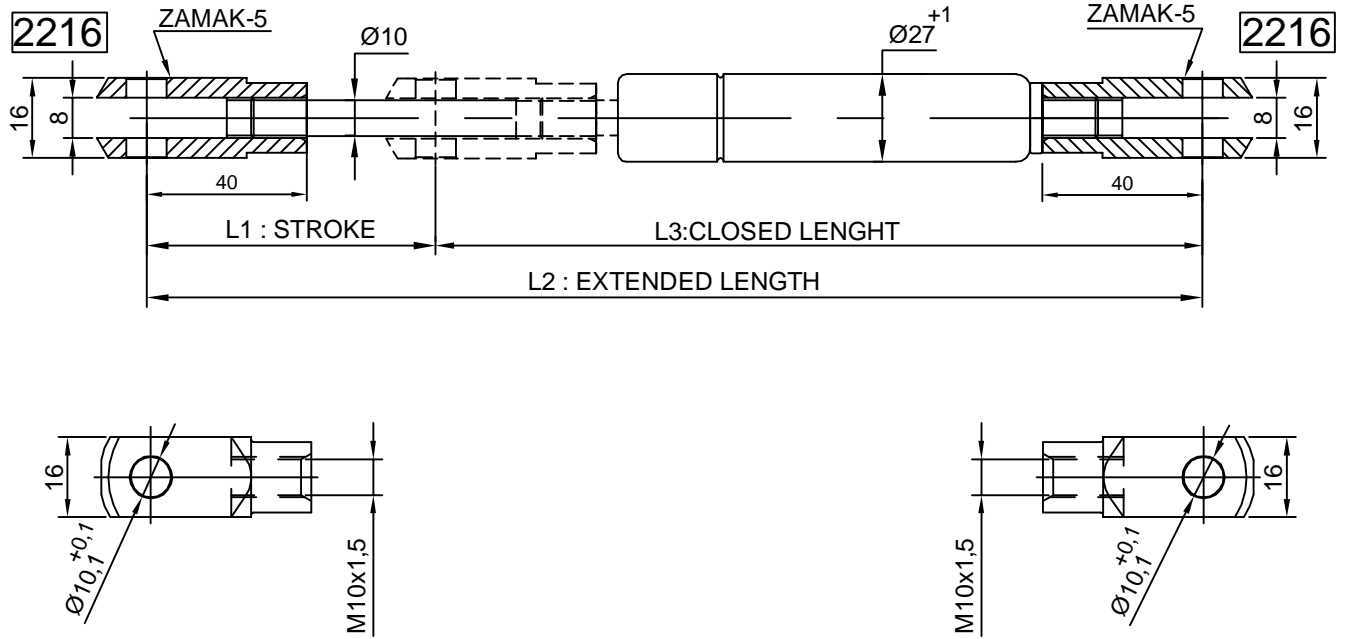
Ref.No.	F1 ( N )	L1 Stroke Strok	L2 Extended Length Açık Boy	L3 Closed Length Kapalı Boy
S1027S0001Z	900	95	305	210
S1027S0002Z	1000			
S1027S0003Z	1150			
S1027S0004Z	900	145	405	260
S1027S0005Z	1000			
S1027S0006Z	1150			
S1027S0007Z	900	195	505	310
S1027S0008Z	1000			
S1027S0009Z	1150			
S1027S0010Z	900	245	605	360
S1027S0011Z	1000			
S1027S0012Z	1150			
S1027S0013Z	150	295	705	410
S1027S0014Z	200			
S1027S0015Z	250			
S1027S0016Z	300			
S1027S0017Z	350			
S1027S0018Z	400			
S1027S0019Z	500			
S1027S0020Z	600			
S1027S0021Z	700			
S1027S0022Z	800			
S1027S0023Z	900			
S1027S0024Z	1000			
S1027S0025Z	1150			

Ref.No.	F1 ( N )	L1 Stroke Strok	L2 Extended Length Açık Boy	L3 Closed Length Kapalı Boy
S1027S0026Z	150	345	805	460
S1027S0027Z	200			
S1027S0028Z	250			
S1027S0029Z	300			
S1027S0030Z	350			
S1027S0031Z	400			
S1027S0032Z	500			
S1027S0033Z	600			
S1027S0034Z	700			
S1027S0035Z	800			
S1027S0036Z	900			
S1027S0037Z	1000	395	905	510
S1027S0038Z	1150			
S1027S0039Z	150			
S1027S0040Z	200			
S1027S0041Z	250			
S1027S0042Z	300			
S1027S0043Z	350			
S1027S0044Z	400			
S1027S0045Z	500			
S1027S0046Z	600			
S1027S0047Z	700			
S1027S0048Z	800			
S1027S0049Z	900			
S1027S0050Z	1000			

GAYSAN LIFT AMORTİSÖRÜ STANDARTLARI / GAYSAN GAS SPRING LIFT STANDARDS											
STROKE STROK (mm)	25-50	51-100	101-150	151-200	201-250	251-300	301-350	351-400	401-450	451-500	501- →
DAMPENING FRENLEME (mm) 25	15	20	25	30	35	40	45	50	55	60	65
EXTENSION SPEED AÇILMA HIZI (mm/sn)	100-300										
ROD / TUBE END FITTINGS MİL / BORU BAĞLANTISI	GAYSAN END FITTING CATALOG / GAYSAN BAĞLANTI KATALOĞU										

Dimensions in mm / We reserve the right to make modifications. Ölçülerde değişiklik yapma hakkımız saklıdır.

## 10-27 THREADED ENDS LIFT



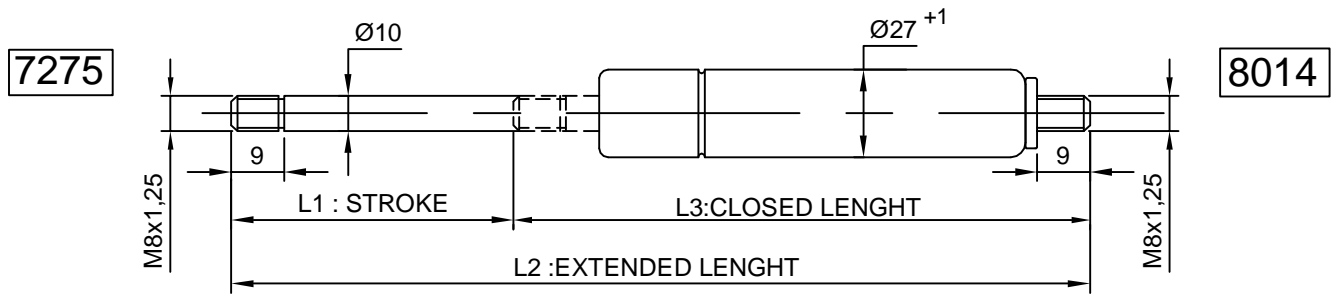
Ref.No.	F1 ( N )	L1 Stroke Strok	L2 Extended Lenght Açık Boy	L3 Closed Lenght Kapalı Boy
S1027S0101Z	900	95	325	230
S1027S0102Z	1000			
S1027S0103Z	1150			
S1027S0104Z	900	145	425	280
S1027S0105Z	1000			
S1027S0106Z	1150			
S1027S0107Z	900	195	525	330
S1027S0108Z	1000			
S1027S0109Z	1150			
S1027S0110Z	900	245	625	380
S1027S0111Z	1000			
S1027S0112Z	1150			
S1027S0113Z	150	295	725	430
S1027S0114Z	200			
S1027S0115Z	250			
S1027S0116Z	300			
S1027S0117Z	350			
S1027S0118Z	400			
S1027S0119Z	500			
S1027S0120Z	600			
S1027S0121Z	700			
S1027S0122Z	800			
S1027S0123Z	900			
S1027S0124Z	1000			
S1027S0125Z	1150			

Ref.No.	F1 ( N )	L1 Stroke Strok	L2 Extended Lenght Açık Boy	L3 Closed Lenght Kapalı Boy
S1027S0126Z	150	345	835	490
S1027S0127Z	200			
S1027S0128Z	250			
S1027S0129Z	300			
S1027S0130Z	350			
S1027S0131Z	400			
S1027S0132Z	500			
S1027S0133Z	600			
S1027S0134Z	700			
S1027S0135Z	800			
S1027S0136Z	900			
S1027S0137Z	1000			
S1027S0138Z	1150	395	935	540
S1027S0139Z	150			
S1027S0140Z	200			
S1027S0141Z	250			
S1027S0142Z	300			
S1027S0143Z	350			
S1027S0144Z	400			
S1027S0145Z	500			
S1027S0146Z	600			
S1027S0147Z	700			
S1027S0148Z	800			
S1027S0149Z	900			
S1027S0150Z	1000			

GAYSAN LIFT AMORTİSÖRÜ STANDARTLARI / GAYSAN GAS SPRING LIFT STANDARDS											
STROKE STROK (mm)	25-50	51-100	101-150	151-200	201-250	251-300	301-350	351-400	401-450	451-500	501- →
DAMPENING FRENLEME (mm) 25	15	20	25	30	35	40	45	50	55	60	65
EXTENSION SPEED AÇILMA HIZI (mm/sn)	100-300										
ROD / TUBE END FITTINGS MİL / BORU BAĞLANTISI	GAYSAN END FITTING CATALOG / GAYSAN BAĞLANTI KATALOĞU										

Dimensions in mm / We reserve the right to make modifications. Ölçülerde değişiklik yapma hakkımız saklıdır.

## 10-27 THREADED ENDS LIFT



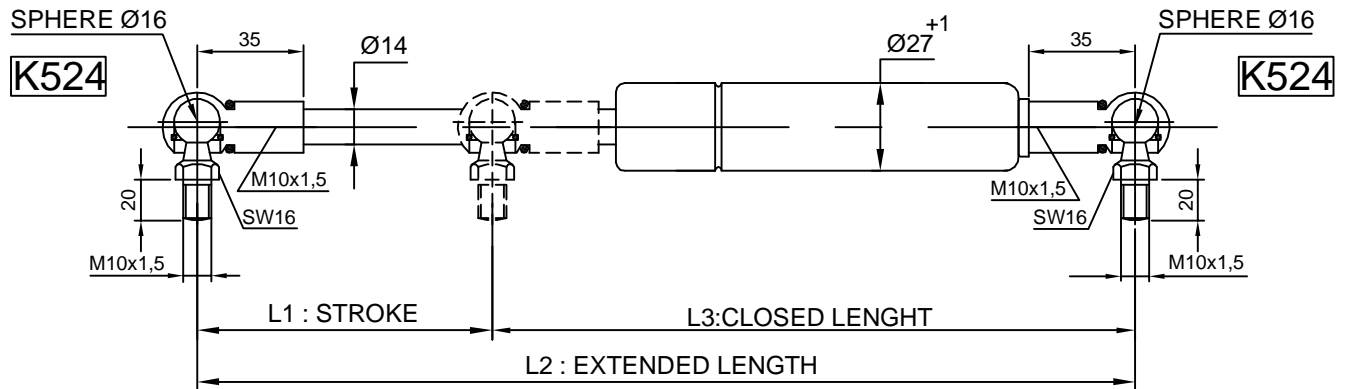
Ref.No.	F1 ( N )	L1 Stroke Strok	L2 Extended Length Açık Boy	L3 Closed Length Kapalı Boy
S1027S0001D	900	100	270	170
S1027S0002D	1000			
S1027S0003D	1150			
S1027S0004D	900	150	370	220
S1027S0005D	1000			
S1027S0006D	1150			
S1027S0007D	900	200	470	270
S1027S0008D	1000			
S1027S0009D	1150			
S1027S0010D	900	250	570	320
S1027S0011D	1000			
S1027S0012D	1150			
S1027S0013D	150	300	670	370
S1027S0014D	200			
S1027S0015D	250			
S1027S0016D	300			
S1027S0017D	350			
S1027S0018D	400			
S1027S0019D	500			
S1027S0020D	600			
S1027S0021D	700			
S1027S0022D	800			
S1027S0023D	900			
S1027S0024D	1000			
S1027S0025D	1150			

Ref.No.	F1 ( N )	L1 Stroke Strok	L2 Extended Length Açık Boy	L3 Closed Length Kapalı Boy
S1027S0026D	150	350	785	435
S1027S0027D	200			
S1027S0028D	250			
S1027S0029D	300			
S1027S0030D	350			
S1027S0031D	400			
S1027S0032D	500			
S1027S0033D	600			
S1027S0034D	700			
S1027S0035D	800			
S1027S0036D	900			
S1027S0037D	1000			
S1027S0038D	1150	400	885	485
S1027S0039D	150			
S1027S0040D	200			
S1027S0041D	250			
S1027S0042D	300			
S1027S0043D	350			
S1027S0044D	400			
S1027S0045D	500			
S1027S0046D	600			
S1027S0047D	700			
S1027S0048D	800			
S1027S0049D	900			
S1027S0050D	1000			

GAYSAN LIFT AMORTİSÖRÜ STANDARTLARI / GAYSAN GAS SPRING LIFT STANDARDS											
STROKE STROK (mm)	25-50	51-100	101-150	151-200	201-250	251-300	301-350	351-400	401-450	451-500	501- →
DAMPENING FRENLEME (mm) 25	15	20	25	30	35	40	45	50	55	60	65
EXTENSION SPEED AÇILMA HIZI (mm/sn)	100-300										
ROD / TUBE END FITTINGS MİL / BORU BAĞLANTISI	GAYSAN END FITTING CATALOG / GAYSAN BAĞLANTI KATALOĞU										

Dimensions in mm / We reserve the right to make modifications. Ölçülerde değişiklik yapma hakkımız saklıdır.

## 14-27 THREADED ENDS LIFT



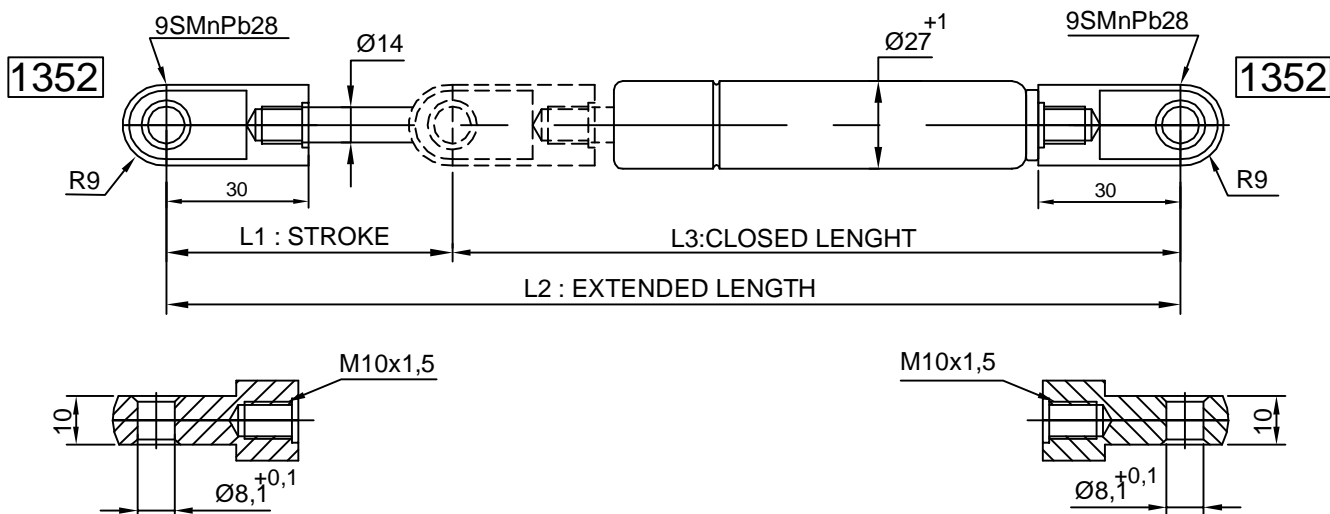
Ref.No.	F1 ( N )	L1 Stroke Strok	L2 Extended Length Açık Boy	L3 Closed Length Kapalı Boy
S1427S0001M	1300	100	340	240
S1427S0002M	1500			
S1427S0003M	1700			
S1427S0004M	1900			
S1427S0005M	2100	150	440	290
S1427S0006M	1300			
S1427S0007M	1500			
S1427S0008M	1700			
S1427S0009M	1900			
S1427S0010M	2100			
S1427S0011M	1300	200	540	340
S1427S0012M	1500			
S1427S0013M	1700			
S1427S0014M	1900			
S1427S0015M	2100			
S1427S0016M	1300			
S1427S0017M	1500			
S1427S0018M	1700			
S1427S0019M	1900	250	640	390
S1427S0020M	2100			
S1427S0021M	1300			
S1427S0022M	1500			
S1427S0023M	1700			
S1427S0024M	1900			
S1427S0025M	2100	300	740	440
S1427S0026M	1300			
S1427S0027M	1500			
S1427S0028M	1700			
S1427S0029M	1900			

Ref.No.	F1 ( N )	L1 Stroke Strok	L2 Extended Length Açık Boy	L3 Closed Length Kapalı Boy
S1427S0026M	1300	350	840	490
S1427S0027M	1500			
S1427S0028M	1700			
S1427S0029M	1900			
S1427S0030M	2100	400	940	540
S1427S0031M	1300			
S1427S0032M	1500			
S1427S0033M	1700			
S1427S0034M	1900			
S1427S0035M	2100			
S1427S0036M	500	500	1140	640
S1427S0037M	600			
S1427S0038M	700			
S1427S0039M	800			
S1427S0040M	900			
S1427S0041M	1000			
S1427S0042M	1100			
S1427S0043M	1300			
S1427S0044M	1500			
S1427S0045M	1700			

GAYSAN LIFT AMORTİSÖRÜ STANDARTLARI / GAYSAN GAS SPRING LIFT STANDARDS											
STROKE STROK (mm)	25-50	51-100	101-150	151-200	201-250	251-300	301-350	351-400	401-450	451-500	501- →
DAMPENING FRENLEME (mm) 25	15	20	25	30	35	40	45	50	55	60	65
EXTENSION SPEED AÇILMA HIZI (mm/sn)	100-300										
ROD / TUBE END FITTINGS MİL / BORU BAĞLANTISI	GAYSAN END FITTING CATALOG / GAYSAN BAĞLANTI KATALOĞU										

Dimensions in mm / We reserve the right to make modifications. Ölçülerde değişiklik yapma hakkımız saklıdır.

## 14-27 THREADED ENDS LIFT



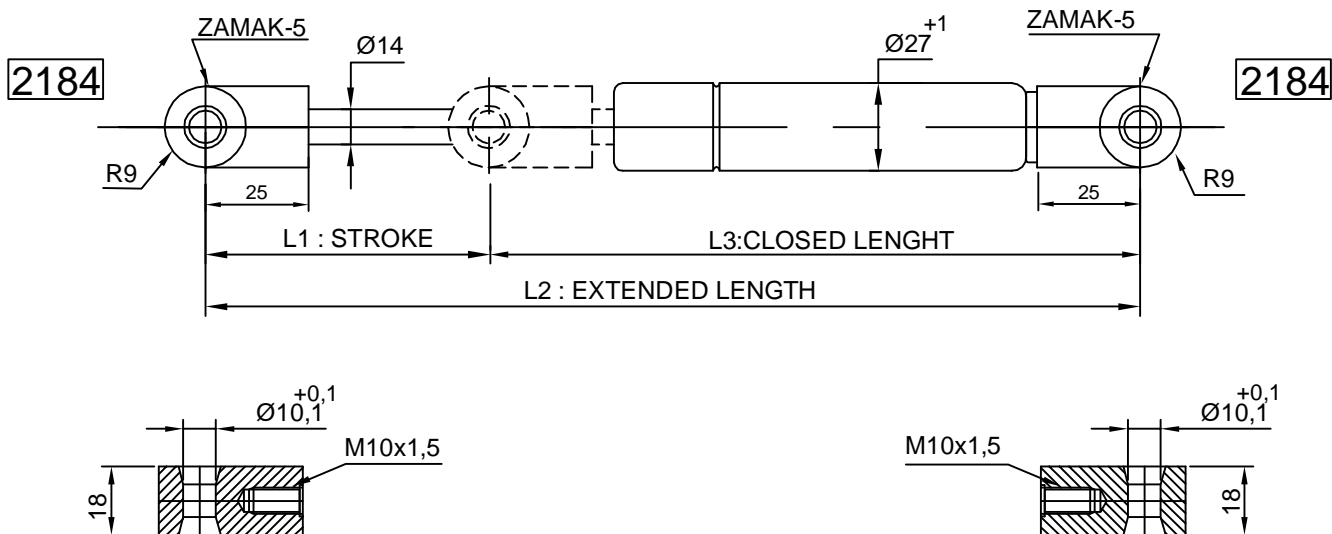
Ref.No.	F1 ( N )	L1 Stroke Strok	L2 Extended Length Açık Boy	L3 Closed Length Kapalı Boy
S1427S0101M	1300	100	330	230
S1427S0102M	1500			
S1427S0103M	1700			
S1427S0104M	1900			
S1427S0105M	2100			
S1427S0106M	1300	150	430	280
S1427S0107M	1500			
S1427S0108M	1700			
S1427S0109M	1900			
S1427S0110M	2100			
S1427S0111M	1300	200	530	330
S1427S0112M	1500			
S1427S0113M	1700			
S1427S0114M	1900			
S1427S0115M	2100			
S1427S0116M	1300	250	630	380
S1427S0117M	1500			
S1427S0118M	1700			
S1427S0119M	1900			
S1427S0120M	2100			
S1427S0121M	1300	300	730	430
S1427S0122M	1500			
S1427S0123M	1700			
S1427S0124M	1900			
S1427S0125M	2100			

Ref.No.	F1 ( N )	L1 Stroke Strok	L2 Extended Length Açık Boy	L3 Closed Length Kapalı Boy
S1427S0126M	1300	350	830	480
S1427S0127M	1500			
S1427S0128M	1700			
S1427S0129M	1900			
S1427S0130M	2100			
S1427S0131M	1300	400	930	530
S1427S0132M	1500			
S1427S0133M	1700			
S1427S0134M	1900			
S1427S0135M	2100			
S1427S0136M	500	500	1130	630
S1427S0137M	600			
S1427S0138M	700			
S1427S0139M	800			
S1427S0140M	900			
S1427S0141M	1000	500	1130	630
S1427S0142M	1100			
S1427S0143M	1300			
S1427S0144M	1500			
S1427S0145M	1700			

GAYSAN LIFT AMORTİSÖRÜ STANDARTLARI / GAYSAN GAS SPRING LIFT STANDARDS											
STROKE STROK (mm)	25-50	51-100	101-150	151-200	201-250	251-300	301-350	351-400	401-450	451-500	501- →
DAMPENING FRENLEME (mm) 25	15	20	25	30	35	40	45	50	55	60	65
EXTENSION SPEED AÇILMA HIZI (mm/sn)	100-300										
ROD / TUBE END FITTINGS MİL / BORU BAĞLANTISI	GAYSAN END FITTING CATALOG / GAYSAN BAĞLANTI KATALOĞU										

Dimensions in mm / We reserve the right to make modifications. Ölçülerde değişiklik yapma hakkımız saklıdır.

## 14-27 THREADED ENDS LIFT



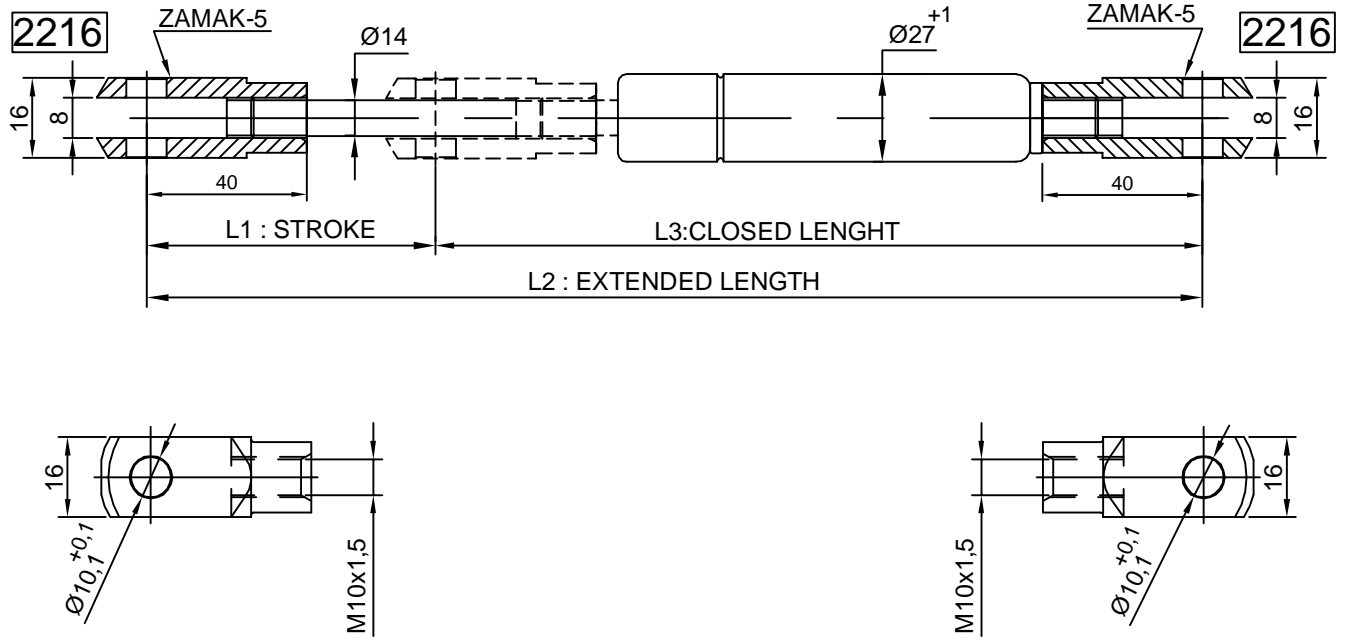
Ref.No.	F1 ( N )	L1 Stroke Strok	L2 Extended Length Açık Boy	L3 Closed Length Kapalı Boy
S1427S0001Z	1300	100	320	220
S1427S0002Z	1500			
S1427S0003Z	1700			
S1427S0004Z	1900			
S1427S0005Z	2100			
S1427S0006Z	1300	150	420	270
S1427S0007Z	1500			
S1427S0008Z	1700			
S1427S0009Z	1900			
S1427S0010Z	2100			
S1427S0011Z	1300	200	520	320
S1427S0012Z	1500			
S1427S0013Z	1700			
S1427S0014Z	1900			
S1427S0015Z	2100			
S1427S0016Z	1300	250	620	370
S1427S0017Z	1500			
S1427S0018Z	1700			
S1427S0019Z	1900			
S1427S0020Z	2100			
S1427S0021Z	1300	300	720	420
S1427S0022Z	1500			
S1427S0023Z	1700			
S1427S0024Z	1900			
S1427S0025Z	2100			

Ref.No.	F1 ( N )	L1 Stroke Strok	L2 Extended Length Açık Boy	L3 Closed Length Kapalı Boy
S1427S0026Z	1300	350	820	470
S1427S0027Z	1500			
S1427S0028Z	1700			
S1427S0029Z	1900			
S1427S0030Z	2100			
S1427S0031Z	1300	400	920	520
S1427S0032Z	1500			
S1427S0033Z	1700			
S1427S0034Z	1900			
S1427S0035Z	2100			
S1427S0036Z	500	500	1120	620
S1427S0037Z	600			
S1427S0038Z	700			
S1427S0039Z	800			
S1427S0040Z	900			
S1427S0041Z	1000			
S1427S0042Z	1100			
S1427S0043Z	1300			
S1427S0044Z	1500			
S1427S0045Z	1700			

GAYSAN LIFT AMORTİSÖRÜ STANDARTLARI / GAYSAN GAS SPRING LIFT STANDARDS											
STROKE STROK (mm)	25-50	51-100	101-150	151-200	201-250	251-300	301-350	351-400	401-450	451-500	501- →
DAMPENING FRENLEME (mm) 25	15	20	25	30	35	40	45	50	55	60	65
EXTENSION SPEED AÇILMA HIZI (mm/sn)	100-300										
ROD / TUBE END FITTINGS MİL / BORU BAĞLANTISI	GAYSAN END FITTING CATALOG / GAYSAN BAĞLANTI KATALOĞU										

Dimensions in mm / We reserve the right to make modifications. Ölçülerde değişiklik yapma hakkımız saklıdır.

## 14-27 THREADED ENDS LIFT



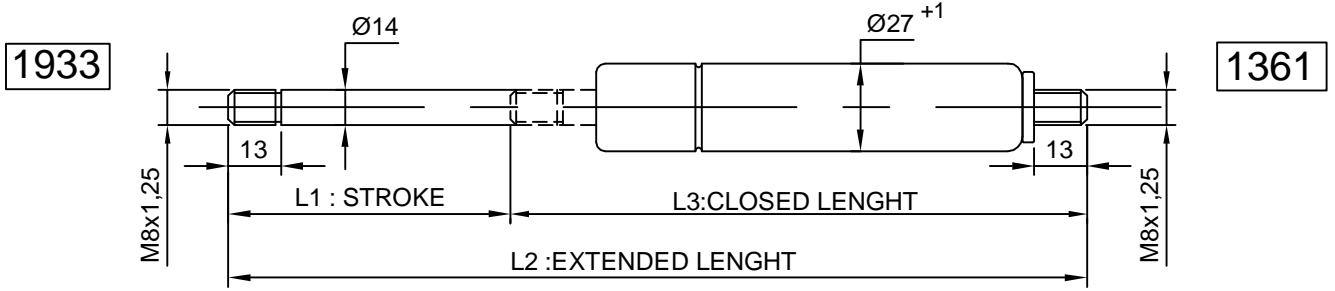
Ref.No.	F1 ( N )	L1 Stroke Strok	L2 Extended Length Açık Boy	L3 Closed Length Kapalı Boy
S1427S0101Z	1300	100	350	250
S1427S0102Z	1500			
S1427S0103Z	1700			
S1427S0104Z	1900			
S1427S0105Z	2100			
S1427S0106Z	1300	150	450	300
S1427S0107Z	1500			
S1427S0108Z	1700			
S1427S0109Z	1900			
S1427S0110Z	2100			
S1427S0111Z	1300	200	550	350
S1427S0112Z	1500			
S1427S0113Z	1700			
S1427S0114Z	1900			
S1427S0115Z	2100			
S1427S0116Z	1300	250	650	400
S1427S0117Z	1500			
S1427S0118Z	1700			
S1427S0119Z	1900			
S1427S0120Z	2100			
S1427S0121Z	1300	300	750	450
S1427S0122Z	1500			
S1427S0123Z	1700			
S1427S0124Z	1900			
S1427S0125Z	2100			

Ref.No.	F1 ( N )	L1 Stroke Strok	L2 Extended Length Açık Boy	L3 Closed Length Kapalı Boy
S1427S0126Z	1300	350	850	500
S1427S0127Z	1500			
S1427S0128Z	1700			
S1427S0129Z	1900			
S1427S0130Z	2100			
S1427S0131Z	1300	400	950	550
S1427S0132Z	1500			
S1427S0133Z	1700			
S1427S0134Z	1900			
S1427S0135Z	2100			
S1427S0136Z	500	500	1150	650
S1427S0137Z	600			
S1427S0138Z	700			
S1427S0139Z	800			
S1427S0140Z	900			
S1427S0141Z	1000			
S1427S0142Z	1100			
S1427S0143Z	1300			
S1427S0144Z	1500			
S1427S0145Z	1700			

GAYSAN LIFT AMORTİSÖRÜ STANDARTLARI / GAYSAN GAS SPRING LIFT STANDARDS											
STROKE STROK (mm)	25-50	51-100	101-150	151-200	201-250	251-300	301-350	351-400	401-450	451-500	501- →
DAMPENING FRENLEME (mm) 25	15	20	25	30	35	40	45	50	55	60	65
EXTENSION SPEED AÇILMA HIZI (mm/sn)	100-300										
ROD / TUBE END FITTINGS MİL / BORU BAĞLANTISI	GAYSAN END FITTING CATALOG / GAYSAN BAĞLANTI KATALOĞU										

Dimensions in mm / We reserve the right to make modifications. Ölçülerde değişiklik yapma hakkımız saklıdır.

## 14-27 THREADED ENDS LIFT



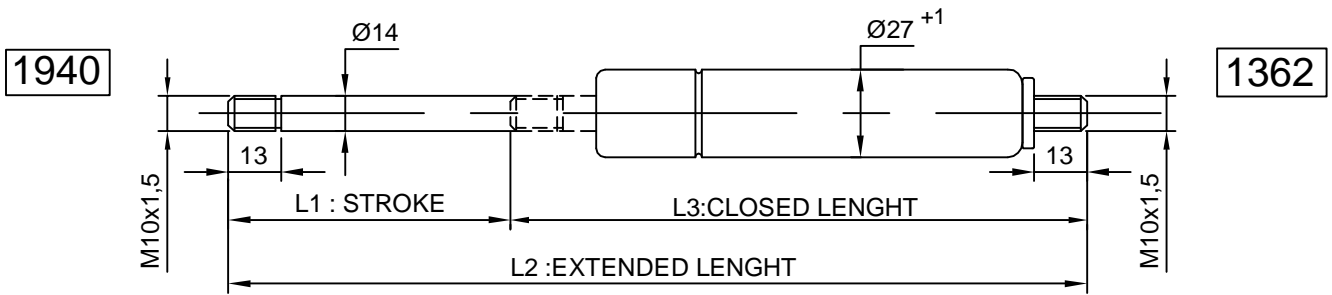
Ref.No.	F1 ( N )	L1 Stroke Strok	L2 Extended Lenght Açık Boy	L3 Closed Lenght Kapalı Boy
S1427S0001D	1300	100	300	200
S1427S0002D	1500			
S1427S0003D	1700			
S1427S0004D	1900			
S1427S0005D	2100			
S1427S0006D	1300	150	400	250
S1427S0007D	1500			
S1427S0008D	1700			
S1427S0009D	1900			
S1427S0010D	2100			
S1427S0011D	1300	200	500	300
S1427S0012D	1500			
S1427S0013D	1700			
S1427S0014D	1900			
S1427S0015D	2100			
S1427S0016D	1300	250	600	350
S1427S0017D	1500			
S1427S0018D	1700			
S1427S0019D	1900			
S1427S0020D	2100			
S1427S0021D	1300	300	700	400
S1427S0022D	1500			
S1427S0023D	1700			
S1427S0024D	1900			
S1427S0025D	2100			

Ref.No.	F1 ( N )	L1 Stroke Strok	L2 Extended Lenght Açık Boy	L3 Closed Lenght Kapalı Boy
S1427S0026D	1300	350	800	450
S1427S0027D	1500			
S1427S0028D	1700			
S1427S0029D	1900			
S1427S0030D	2100			
S1427S0031D	1300	400	900	500
S1427S0032D	1500			
S1427S0033D	1700			
S1427S0034D	1900			
S1427S0035D	2100			
S1427S0036D	500	500	1100	600
S1427S0037D	600			
S1427S0038D	700			
S1427S0039D	800			
S1427S0040D	900			
S1427S0041D	1000			
S1427S0042D	1100			
S1427S0043D	1300			
S1427S0044D	1500			
S1427S0045D	1700			

GAYSAN LIFT AMORTİSÖRÜ STANDARTLARI / GAYSAN GAS SPRING LIFT STANDARDS											
STROKE STROK (mm)	25-50	51-100	101-150	151-200	201-250	251-300	301-350	351-400	401-450	451-500	501- →
DAMPENING FRENLEME (mm) 25	15	20	25	30	35	40	45	50	55	60	65
EXTENSION SPEED AÇILMA HIZI (mm/sn)	100-300										
ROD / TUBE END FITTINGS MİL / BORU BAĞLANTISI	GAYSAN END FITTING CATALOG / GAYSAN BAĞLANTI KATALOĞU										

Dimensions in mm / We reserve the right to make modifications. Ölçülerde değişiklik yapma hakkımız saklıdır.

## 14-27 THREADED ENDS LIFT



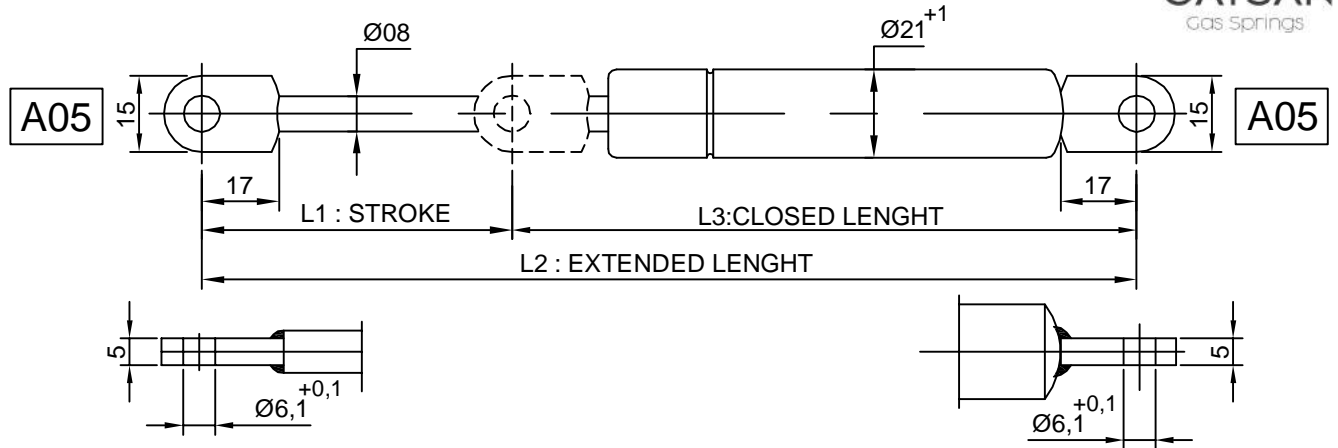
Ref.No.	F1 ( N )	L1 Stroke Strok	L2 Extended Lenght Açık Boy	L3 Closed Lenght Kapalı Boy
S1427S0101D	1300	100	300	200
S1427S0102D	1500			
S1427S0103D	1700			
S1427S0104D	1900			
S1427S0105D	2100			
S1427S0106D	1300	150	400	250
S1427S0107D	1500			
S1427S0108D	1700			
S1427S0109D	1900			
S1427S0110D	2100			
S1427S0111D	1300	200	500	300
S1427S0112D	1500			
S1427S0113D	1700			
S1427S0114D	1900			
S1427S0115D	2100			
S1427S0116D	1300	250	600	350
S1427S0117D	1500			
S1427S0118D	1700			
S1427S0119D	1900			
S1427S0120D	2100			
S1427S0121D	1300	300	700	400
S1427S0122D	1500			
S1427S0123D	1700			
S1427S0124D	1900			
S1427S0125D	2100			

Ref.No.	F1 ( N )	L1 Stroke Strok	L2 Extended Lenght Açık Boy	L3 Closed Lenght Kapalı Boy
S1427S0126D	1300	350	800	450
S1427S0127D	1500			
S1427S0128D	1700			
S1427S0129D	1900			
S1427S0130D	2100			
S1427S0131D	1300	400	900	500
S1427S0132D	1500			
S1427S0133D	1700			
S1427S0134D	1900			
S1427S0135D	2100			
S1427S0136D	500	500	1100	600
S1427S0137D	600			
S1427S0138D	700			
S1427S0139D	800			
S1427S0140D	900			
S1427S0141D	1000			
S1427S0142D	1100			
S1427S0143D	1300			
S1427S0144D	1500			
S1427S0145D	1700			

GAYSAN LIFT AMORTİSÖRÜ STANDARTLARI / GAYSAN GAS SPRING LIFT STANDARDS											
STROKE STROK (mm)	25-50	51-100	101-150	151-200	201-250	251-300	301-350	351-400	401-450	451-500	501- →
DAMPENING FRENLEME (mm) 25	15	20	25	30	35	40	45	50	55	60	65
EXTENSION SPEED AÇILMA HIZI (mm/sn)	100-300										
ROD / TUBE END FITTINGS MİL / BORU BAĞLANTISI	GAYSAN END FITTING CATALOG / GAYSAN BAĞLANTI KATALOĞU										

Dimensions in mm / We reserve the right to make modifications. Ölçülerde değişiklik yapma hakkımız saklıdır.

## 08-21 WELDED EYES LIFT



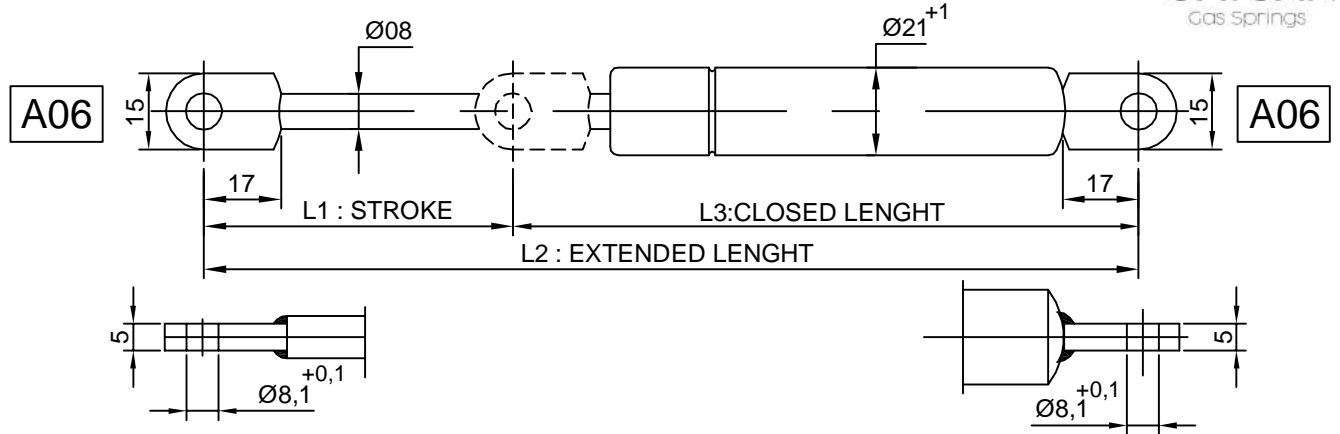
Ref.No.	F1 ( N )	L1 Stroke Strok	L2 Extended Lenght Açık Boy	L3 Closed Lenght Kapalı Boy
S0821S0001K	400	60	205	145
S0821S0002K	500			
S0821S0003K	600			
S0821S0004K	700			
S0821S0005K	400	80	245	165
S0821S0006K	500			
S0821S0007K	600			
S0821S0008K	700			
S0821S0009K	400	100	285	185
S0821S0010K	500			
S0821S0011K	600			
S0821S0012K	700			
S0821S0013K	400	120	325	205
S0821S0014K	500			
S0821S0015K	600			
S0821S0016K	700			
S0821S0017K	300	140	365	225
S0821S0018K	400			
S0821S0019K	500			
S0821S0020K	600			
S0821S0021K	700	160	405	245
S0821S0022K	100			
S0821S0023K	150			
S0821S0024K	200			
S0821S0025K	250	180	445	265
S0821S0026K	300			
S0821S0027K	350			
S0821S0028K	400			
S0821S0029K	450	250	585	335
S0821S0030K	500			
S0821S0031K	600			
S0821S0032K	700			
S0821S0033K	100	180	445	265
S0821S0034K	150			
S0821S0035K	200			
S0821S0036K	250			
S0821S0037K	300	250	585	335
S0821S0038K	350			

Ref.No.	F1 ( N )	L1 Stroke Strok	L2 Extended Lenght Açık Boy	L3 Closed Lenght Kapalı Boy
S0821S0039K	400	180	445	265
S0821S0040K	450			
S0821S0041K	500			
S0821S0042K	600			
S0821S0043K	700	200	485	285
S0821S0044K	100			
S0821S0045K	150			
S0821S0046K	200			
S0821S0047K	250	220	525	305
S0821S0048K	300			
S0821S0049K	350			
S0821S0050K	400			
S0821S0051K	450	250	585	335
S0821S0052K	500			
S0821S0053K	600			
S0821S0054K	700			
S0821S0055K	100	180	445	265
S0821S0056K	150			
S0821S0057K	200			
S0821S0058K	250			
S0821S0059K	300	250	585	335
S0821S0060K	350			
S0821S0061K	400			
S0821S0062K	450			
S0821S0063K	500	250	585	335
S0821S0064K	600			
S0821S0065K	700			
S0821S0066K	100			
S0821S0067K	150	250	585	335
S0821S0068K	200			
S0821S0069K	250			
S0821S0070K	300			
S0821S0071K	350	250	585	335
S0821S0072K	400			
S0821S0073K	450			
S0821S0074K	500			

GAYSAN LIFT AMORTİSÖRÜ STANDARTLARI / GAYSAN GAS SPRING LIFT STANDARDS												
STROKE STROK (mm)	25-50	51-100	101-150	151-200	201-250	251-300	301-350	351-400	401-450	451-500	501-→	
DAMPENING FRENLEME (mm/s)	15	20	25	30	35	40	45	50	55	60	65	
EXTENSION SPEED AÇILMA HIZI (mm/sn)	100-300											
ROD / TUBE END FITTINGS MİL / BORU BAĞLANTISI	GAYSAN END FITTING CATALOG / GAYSAN BAĞLANTI KATALOĞU											

Dimensions in mm / We reserve the right to make modifications. Ölçülerde değişiklik yapma hakkımız saklıdır.

## 08-21 WELDED EYES LIFT

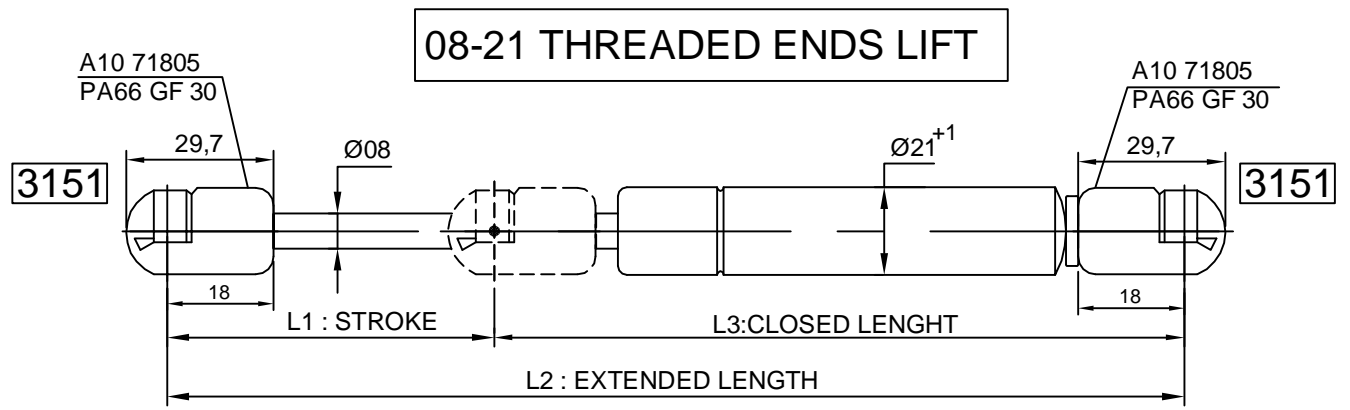


Ref.No.	F1 ( N )	L1 Stroke Strok	L2 Extended Lenght Açık Boy	L3 Closed Lenght Kapalı Boy
S0821S0101K	400	60	205	145
S0821S0102K	500			
S0821S0103K	600			
S0821S0104K	700			
S0821S0105K	400	80	245	165
S0821S0106K	500			
S0821S0107K	600			
S0821S0108K	700			
S0821S0109K	400	100	285	185
S0821S0110K	500			
S0821S0111K	600			
S0821S0112K	700			
S0821S0113K	400	120	325	205
S0821S0114K	500			
S0821S0115K	600			
S0821S0116K	700			
S0821S0117K	300	140	365	225
S0821S0118K	400			
S0821S0119K	500			
S0821S0120K	600			
S0821S0121K	700	160	405	245
S0821S0122K	100			
S0821S0123K	150			
S0821S0124K	200			
S0821S0125K	250	180	445	265
S0821S0126K	300			
S0821S0127K	350			
S0821S0128K	400			
S0821S0129K	450	250	585	335
S0821S0130K	500			
S0821S0131K	600			
S0821S0132K	700			
S0821S0133K	100	180	445	265
S0821S0134K	150			
S0821S0135K	200			
S0821S0136K	250			
S0821S0137K	300	350		
S0821S0138K	350			

Ref.No.	F1 ( N )	L1 Stroke Strok	L2 Extended Lenght Açık Boy	L3 Closed Lenght Kapalı Boy
S0821S0139K	400	180	445	265
S0821S0140K	450			
S0821S0141K	500			
S0821S0142K	600			
S0821S0143K	700	200	485	285
S0821S0144K	100			
S0821S0145K	150			
S0821S0146K	200			
S0821S0147K	250	220	525	305
S0821S0148K	300			
S0821S0149K	350			
S0821S0150K	400			
S0821S0151K	450	250	585	335
S0821S0152K	500			
S0821S0153K	600			
S0821S0154K	700			
S0821S0155K	100	180	445	265
S0821S0156K	150			
S0821S0157K	200			
S0821S0158K	250			
S0821S0159K	300	200	485	285
S0821S0160K	350			
S0821S0161K	400			
S0821S0162K	450			
S0821S0163K	500	220	525	305
S0821S0164K	600			
S0821S0165K	700			
S0821S0166K	100			
S0821S0167K	150	250	585	335
S0821S0168K	200			
S0821S0169K	250			
S0821S0170K	300			
S0821S0171K	350	180	445	265
S0821S0172K	400			
S0821S0173K	450			
S0821S0174K	500			

GAYSAN LIFT AMORTİSÖRÜ STANDARTLARI / GAYSAN GAS SPRING LIFT STANDARDS												
STROKE STROK (mm)	25-50	51-100	101-150	151-200	201-250	251-300	301-350	351-400	401-450	451-500	501- →	
DAMPENING FRENLEME (mm/s)	15	20	25	30	35	40	45	50	55	60	65	
EXTENSION SPEED AÇILMA HIZI (mm/sn)	100-300											
ROD / TUBE END FITTINGS MİL / BORU BAĞLANTISI	GAYSAN END FITTING CATALOG / GAYSAN BAĞLANTI KATALOĞU											

Dimensions in mm / We reserve the right to make modifications. Ölçülerde değişiklik yapma hakkımız saklıdır.



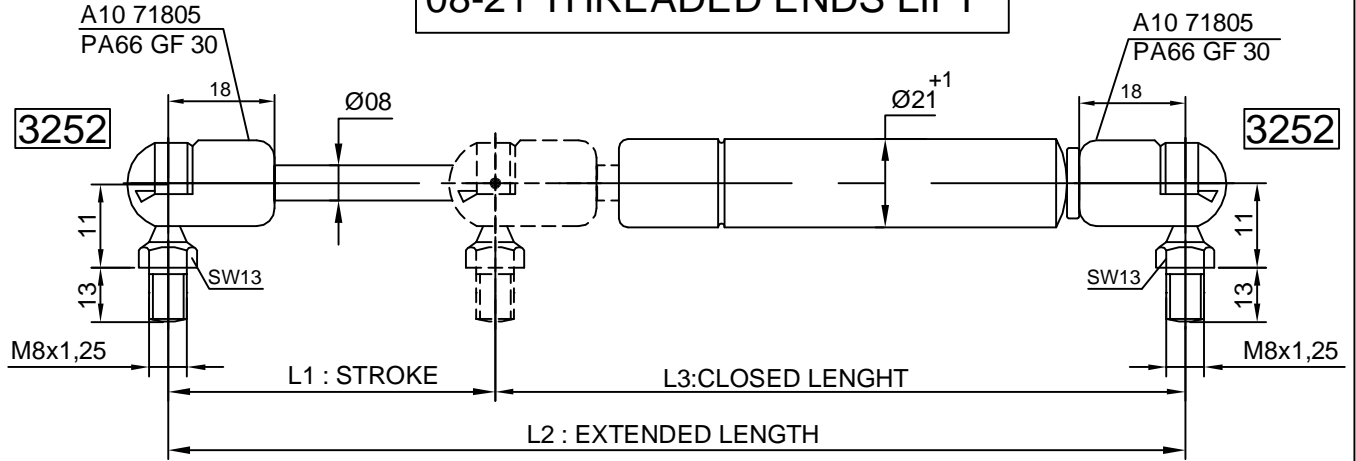
Ref.No.	F1 ( N )	L1 Stroke Strok	L2 Extended Lenght Açık Boy	L3 Closed Lenght Kapalı Boy
S0821S0001P	400	60	205	145
S0821S0002P	500			
S0821S0003P	600			
S0821S0004P	700			
S0821S0005P	400			
S0821S0006P	500	80	245	165
S0821S0007P	600			
S0821S0008P	700			
S0821S0009P	400			
S0821S0010P	500	100	285	185
S0821S0011P	600			
S0821S0012P	700			
S0821S0013P	400	120	325	205
S0821S0014P	500			
S0821S0015P	600			
S0821S0016P	700			
S0821S0017P	300	140	365	225
S0821S0018P	400			
S0821S0019P	500			
S0821S0020P	600			
S0821S0021P	700			
S0821S0022P	100	160	405	245
S0821S0023P	150			
S0821S0024P	200			
S0821S0025P	250			
S0821S0026P	300			
S0821S0027P	350			
S0821S0028P	400			
S0821S0029P	450			
S0821S0030P	500			
S0821S0031P	600			
S0821S0032P	700	180	445	265
S0821S0033P	100			
S0821S0034P	150			
S0821S0035P	200			
S0821S0036P	250			
S0821S0037P	300			
S0821S0038P	350			

Ref.No.	F1 ( N )	L1 Stroke Strok	L2 Extended Lenght Açık Boy	L3 Closed Lenght Kapalı Boy
S0821S0039P	400	180	445	265
S0821S0040P	450			
S0821S0041P	500			
S0821S0042P	600			
S0821S0043P	700			
S0821S0044P	100	200	485	285
S0821S0045P	150			
S0821S0046P	200			
S0821S0047P	250			
S0821S0048P	300			
S0821S0049P	350			
S0821S0050P	400			
S0821S0051P	450			
S0821S0052P	500			
S0821S0053P	600			
S0821S0054P	700	220	525	305
S0821S0055P	100			
S0821S0056P	150			
S0821S0057P	200			
S0821S0058P	250			
S0821S0059P	300			
S0821S0060P	350			
S0821S0061P	400			
S0821S0062P	450			
S0821S0063P	500			
S0821S0064P	600	250	585	335
S0821S0065P	700			
S0821S0066P	100			
S0821S0067P	150			
S0821S0068P	200			
S0821S0069P	250			
S0821S0070P	300			
S0821S0071P	350			
S0821S0072P	400			
S0821S0073P	450			
S0821S0074P	500			

GAYSAN LIFT AMORTİSÖRÜ STANDARTLARI / GAYSAN GAS SPRING LIFT STANDARDS											
STROKE STROK (mm)	25-50	51-100	101-150	151-200	201-250	251-300	301-350	351-400	401-450	451-500	501- →
DAMPENING FRENLEME (mm) 25	15	20	25	30	35	40	45	50	55	60	65
EXTENSION SPEED AÇILMA HIZI (mm/sn)	100-300										
ROD / TUBE END FITTINGS MİL / BORU BAĞLANTISI	GAYSAN END FITTING CATALOG / GAYSAN BAĞLANTI KATALOĞU										

Dimensions in mm / We reserve the right to make modifications. Ölçülerde değişiklik yapma hakkımız saklıdır.

## 08-21 THREADED ENDS LIFT



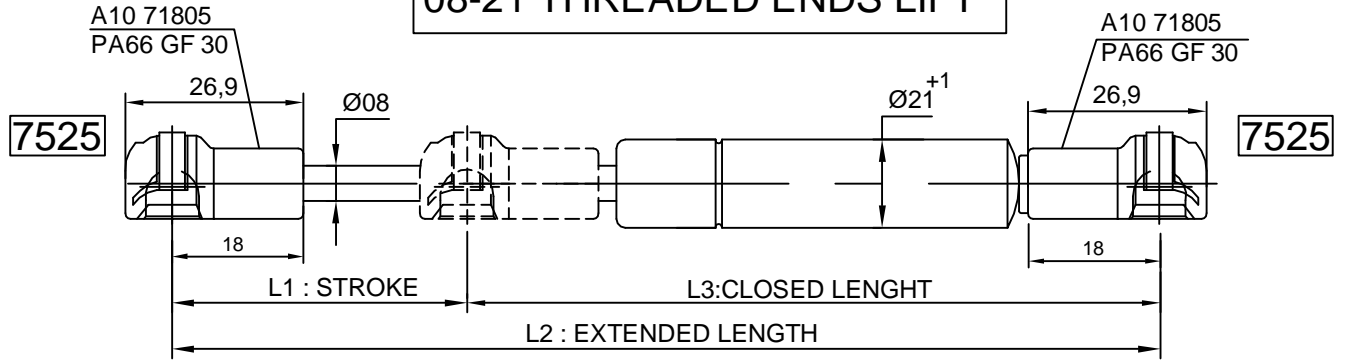
Ref.No.	F1 ( N )	L1 Stroke Strok	L2 Extended Lenght Açık Boy	L3 Closed Lenght Kapalı Boy
S0821S0101P	400	60	205	145
S0821S0102P	500			
S0821S0103P	600			
S0821S0104P	700			
S0821S0105P	400			
S0821S0106P	500	80	245	165
S0821S0107P	600			
S0821S0108P	700			
S0821S0109P	400			
S0821S0110P	500			
S0821S0111P	600	100	285	185
S0821S0112P	700			
S0821S0113P	400			
S0821S0114P	500			
S0821S0115P	600			
S0821S0116P	700	120	325	205
S0821S0117P	300			
S0821S0118P	400			
S0821S0119P	500			
S0821S0120P	600			
S0821S0121P	700	140	365	225
S0821S0122P	100			
S0821S0123P	150			
S0821S0124P	200			
S0821S0125P	250			
S0821S0126P	300	160	405	245
S0821S0127P	350			
S0821S0128P	400			
S0821S0129P	450			
S0821S0130P	500			
S0821S0131P	600	180	445	265
S0821S0132P	700			
S0821S0133P	100			
S0821S0134P	150			
S0821S0135P	200			
S0821S0136P	250			
S0821S0137P	300			
S0821S0138P	350			

Ref.No.	F1 ( N )	L1 Stroke Strok	L2 Extended Lenght Açık Boy	L3 Closed Lenght Kapalı Boy
S0821S0139P	400	180	445	265
S0821S0140P	450			
S0821S0141P	500			
S0821S0142P	600			
S0821S0143P	700			
S0821S0144P	100	200	485	285
S0821S0145P	150			
S0821S0146P	200			
S0821S0147P	250			
S0821S0148P	300			
S0821S0149P	350	220	525	305
S0821S0150P	400			
S0821S0151P	450			
S0821S0152P	500			
S0821S0153P	600			
S0821S0154P	700	250	585	335
S0821S0155P	100			
S0821S0156P	150			
S0821S0157P	200			
S0821S0158P	250			
S0821S0159P	300			
S0821S0160P	350			
S0821S0161P	400			
S0821S0162P	450			
S0821S0163P	500			
S0821S0164P	600			
S0821S0165P	700			
S0821S0166P	100			
S0821S0167P	150			
S0821S0168P	200			
S0821S0169P	250			
S0821S0170P	300			
S0821S0171P	350			
S0821S0172P	400			
S0821S0173P	450			
S0821S0174P	500			

GAYSAN LIFT AMORTİSÖRÜ STANDARTLARI / GAYSAN GAS SPRING LIFT STANDARDS											
STROKE STROK (mm)	25-50	51-100	101-150	151-200	201-250	251-300	301-350	351-400	401-450	451-500	501- →
DAMPENING FRENLEME (mm) 25	15	20	25	30	35	40	45	50	55	60	65
EXTENSION SPEED AÇILMA HIZI (mm/sn)	100-300										
ROD / TUBE END FITTINGS MİL / BORU BAĞLANTISI	GAYSAN END FITTING CATALOG / GAYSAN BAĞLANTI KATALOĞU										

Dimensions in mm / We reserve the right to make modifications. Ölçülerde değişiklik yapma hakkımız saklıdır.

## 08-21 THREADED ENDS LIFT

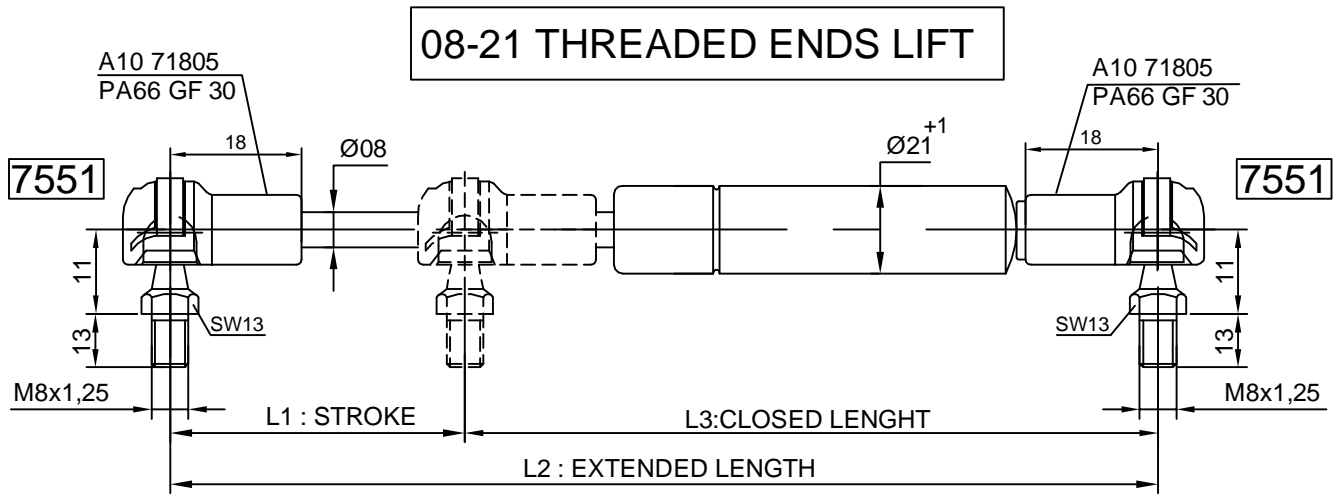


Ref.No.	F1 ( N )	L1 Stroke Strok	L2 Extended Lenght Açık Boy	L3 Closed Lenght Kapalı Boy
S0821S0201P	400	60	205	145
S0821S0202P	500			
S0821S0203P	600			
S0821S0204P	700			
S0821S0205P	400	80	245	165
S0821S0206P	500			
S0821S0207P	600			
S0821S0208P	700			
S0821S0209P	400	100	285	185
S0821S0210P	500			
S0821S0211P	600			
S0821S0212P	700			
S0821S0213P	400	120	325	205
S0821S0214P	500			
S0821S0215P	600			
S0821S0216P	700			
S0821S0217P	300	140	365	225
S0821S0218P	400			
S0821S0219P	500			
S0821S0220P	600			
S0821S0221P	700	160	405	245
S0821S0222P	100			
S0821S0223P	150			
S0821S0224P	200			
S0821S0225P	250			
S0821S0226P	300			
S0821S0227P	350			
S0821S0228P	400			
S0821S0229P	450			
S0821S0230P	500			
S0821S0231P	600			
S0821S0232P	700			
S0821S0233P	100	180	445	265
S0821S0234P	150			
S0821S0235P	200			
S0821S0236P	250			
S0821S0237P	300			
S0821S0238P	350			

Ref.No.	F1 ( N )	L1 Stroke Strok	L2 Extended Lenght Açık Boy	L3 Closed Lenght Kapalı Boy
S0821S0239P	400	180	445	265
S0821S0240P	450			
S0821S0241P	500			
S0821S0242P	600			
S0821S0243P	700	200	485	285
S0821S0244P	100			
S0821S0245P	150			
S0821S0246P	200			
S0821S0247P	250			
S0821S0248P	300			
S0821S0249P	350			
S0821S0250P	400			
S0821S0251P	450			
S0821S0252P	500			
S0821S0253P	600			
S0821S0254P	700			
S0821S0255P	100	220	525	305
S0821S0256P	150			
S0821S0257P	200			
S0821S0258P	250			
S0821S0259P	300			
S0821S0260P	350			
S0821S0261P	400			
S0821S0262P	450			
S0821S0263P	500			
S0821S0264P	600			
S0821S0265P	700			
S0821S0266P	100			
S0821S0267P	150			
S0821S0268P	200			
S0821S0269P	250			
S0821S0270P	300			
S0821S0271P	350			
S0821S0272P	400			
S0821S0273P	450			
S0821S0274P	500			

GAYSAN LIFT AMORTİSÖRÜ STANDARTLARI / GAYSAN GAS SPRING LIFT STANDARDS											
STROKE STROK (mm)	25-50	51-100	101-150	151-200	201-250	251-300	301-350	351-400	401-450	451-500	501- →
DAMPENING FRENLEME (mm) 25	15	20	25	30	35	40	45	50	55	60	65
EXTENSION SPEED AÇILMA HIZI (mm/sn)	100-300										
ROD / TUBE END FITTINGS MİL / BORU BAĞLANTISI	GAYSAN END FITTING CATALOG / GAYSAN BAĞLANTI KATALOĞU										

Dimensions in mm / We reserve the right to make modifications. Ölçülerde değişiklik yapma hakkımız saklıdır.



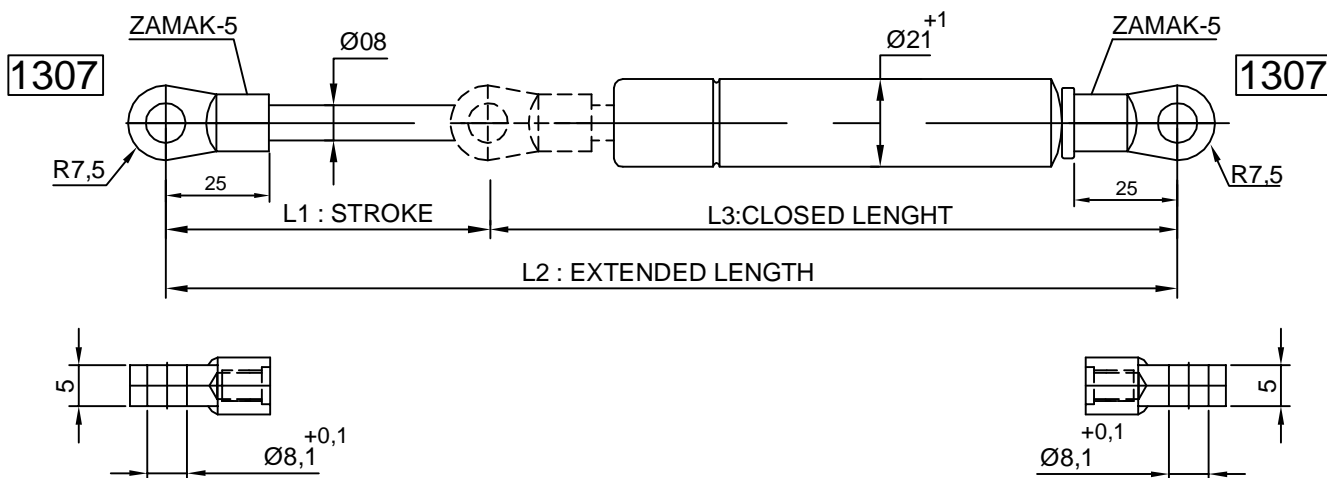
Ref.No.	F1 ( N )	L1 Stroke Strok	L2 Extended Lenght Açık Boy	L3 Closed Lenght Kapalı Boy
S0821S0301P	400	60	205	145
S0821S0302P	500			
S0821S0303P	600			
S0821S0304P	700			
S0821S0305P	400	80	245	165
S0821S0306P	500			
S0821S0307P	600			
S0821S0308P	700	100	285	185
S0821S0309P	400			
S0821S0310P	500			
S0821S0311P	600			
S0821S0312P	700	120	325	205
S0821S0313P	400			
S0821S0314P	500			
S0821S0315P	600			
S0821S0316P	700	140	365	225
S0821S0317P	300			
S0821S0318P	400			
S0821S0319P	500			
S0821S0320P	600	160	405	245
S0821S0321P	700			
S0821S0322P	100			
S0821S0323P	150			
S0821S0324P	200	180	445	265
S0821S0325P	250			
S0821S0326P	300			
S0821S0327P	350			
S0821S0328P	400	250	585	335
S0821S0329P	450			
S0821S0330P	500			
S0821S0331P	600			
S0821S0332P	700	180	445	265
S0821S0333P	100			
S0821S0334P	150			
S0821S0335P	200			
S0821S0336P	250	250	585	335
S0821S0337P	300			
S0821S0338P	350			

Ref.No.	F1 ( N )	L1 Stroke Strok	L2 Extended Lenght Açık Boy	L3 Closed Lenght Kapalı Boy
S0821S0339P	400	180	445	265
S0821S0340P	450			
S0821S0341P	500			
S0821S0342P	600			
S0821S0343P	700	200	485	285
S0821S0344P	100			
S0821S0345P	150			
S0821S0346P	200			
S0821S0347P	250	220	525	305
S0821S0348P	300			
S0821S0349P	350			
S0821S0350P	400			
S0821S0351P	450	250	585	335
S0821S0352P	500			
S0821S0353P	600			
S0821S0354P	700			
S0821S0355P	100	180	445	265
S0821S0356P	150			
S0821S0357P	200			
S0821S0358P	250			
S0821S0359P	300	250	585	335
S0821S0360P	350			
S0821S0361P	400			
S0821S0362P	450			
S0821S0363P	500	250	585	335
S0821S0364P	600			
S0821S0365P	700			
S0821S0366P	100			
S0821S0367P	150	250	585	335
S0821S0368P	200			
S0821S0369P	250			
S0821S0370P	300			
S0821S0371P	350	250	585	335
S0821S0372P	400			
S0821S0373P	450			
S0821S0374P	500			

GAYSAN LIFT AMORTİSÖRÜ STANDARTLARI / GAYSAN GAS SPRING LIFT STANDARDS											
STROKE STROK (mm)	25-50	51-100	101-150	151-200	201-250	251-300	301-350	351-400	401-450	451-500	501- →
DAMPENING FRENLEME (mm) 25	15	20	25	30	35	40	45	50	55	60	65
EXTENSION SPEED AÇILMA HIZI (mm/sn)	100-300										
ROD / TUBE MİL / BORU BAĞLANTISI	GAYSAN END FITTING CATALOG / GAYSAN BAĞLANTI KATALOĞU										

Dimensions in mm / We reserve the right to make modifications. Ölçülerde değişiklik yapma hakkımız saklıdır.

## 08-21 THREADED ENDS LIFT



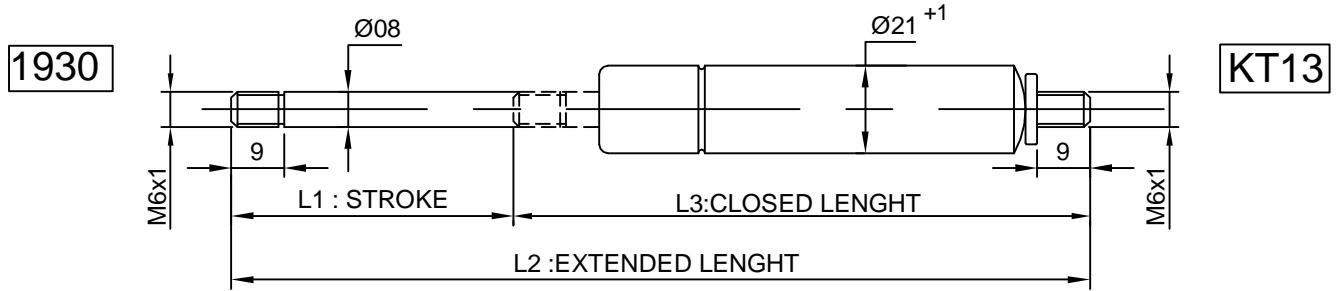
Ref.No.	F1 ( N )	L1 Stroke Strok	L2 Extended Lenght Açık Boy	L3 Closed Lenght Kapalı Boy
S0821S0001Z	500	60	220	160
S0821S0002Z	600			
S0821S0003Z	500	80	260	180
S0821S0004Z	600			
S0821S0005Z	500	100	300	200
S0821S0006Z	600			
S0821S0007Z	500	120	340	220
S0821S0008Z	600			
S0821S0009Z	400	140	380	240
S0821S0010Z	500			
S0821S0011Z	600	160	420	260
S0821S0012Z	100			
S0821S0013Z	150			
S0821S0014Z	200			
S0821S0015Z	250			
S0821S0016Z	300			
S0821S0017Z	350			
S0821S0018Z	400			
S0821S0019Z	500			
S0821S0020Z	600			
S0821S0021Z	100	180	460	280
S0821S0022Z	150			
S0821S0023Z	200			
S0821S0024Z	250			
S0821S0025Z	300			
S0821S0026Z	350			
S0821S0027Z	400			
S0821S0028Z	500			
S0821S0029Z	600			

Ref.No.	F1 ( N )	L1 Stroke Strok	L2 Extended Lenght Açık Boy	L3 Closed Lenght Kapalı Boy
S0821S0030Z	100	200	500	300
S0821S0031Z	150			
S0821S0032Z	200			
S0821S0033Z	250			
S0821S0034Z	300			
S0821S0035Z	350			
S0821S0036Z	400	220	540	320
S0821S0037Z	500			
S0821S0038Z	600			
S0821S0039Z	100			
S0821S0040Z	150			
S0821S0041Z	200			
S0821S0042Z	250			
S0821S0043Z	300			
S0821S0044Z	350			
S0821S0045Z	400			
S0821S0046Z	500	250	600	350
S0821S0047Z	600			
S0821S0048Z	100			
S0821S0049Z	150			
S0821S0050Z	200			
S0821S0051Z	250			
S0821S0052Z	300			
S0821S0053Z	350			
S0821S0054Z	400			
S0821S0055Z	500			

GAYSAN LIFT AMORTİSÖRÜ STANDARTLARI / GAYSAN GAS SPRING LIFT STANDARDS											
STROKE STROK (mm)	25-50	51-100	101-150	151-200	201-250	251-300	301-350	351-400	401-450	451-500	501- →
DAMPENING FRENLEME (mm) 25	15	20	25	30	35	40	45	50	55	60	65
EXTENSION SPEED AÇILMA HIZI (mm/sn)	100-300										
ROD / TUBE END FITTINGS MİL / BORU BAĞLANTISI	GAYSAN END FITTING CATALOG / GAYSAN BAĞLANTI KATALOĞU										

Dimensions in mm / We reserve the right to make modifications. Ölçülerde değişiklik yapma hakkımız saklıdır.

## 08-21 THREADED ENDS LIFT



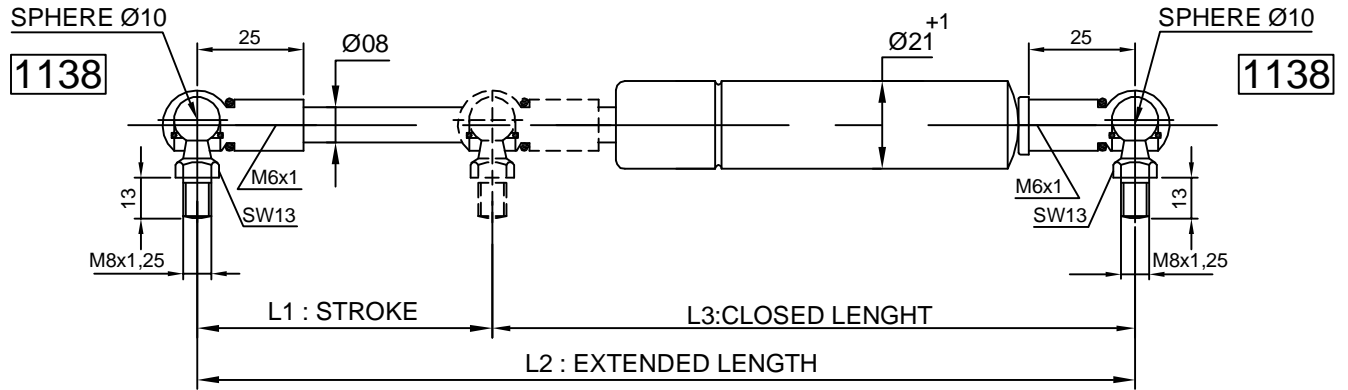
Ref.No.	F1 ( N )	L1 Stroke Strok	L2 Extended Lenght Açık Boy	L3 Closed Lenght Kapalı Boy
S0821S0001D	400	60	190	130
S0821S0002D	500			
S0821S0003D	600			
S0821S0004D	700			
S0821S0005D	400			
S0821S0006D	500	80	230	150
S0821S0007D	600			
S0821S0008D	700			
S0821S0009D	400	100	270	170
S0821S0010D	500			
S0821S0011D	600			
S0821S0012D	700			
S0821S0013D	400			
S0821S0014D	500	120	310	190
S0821S0015D	600			
S0821S0016D	700			
S0821S0017D	300	140	350	210
S0821S0018D	400			
S0821S0019D	500			
S0821S0020D	600			
S0821S0021D	700			
S0821S0022D	100	160	390	230
S0821S0023D	150			
S0821S0024D	200			
S0821S0025D	250			
S0821S0026D	300			
S0821S0027D	350			
S0821S0028D	400			
S0821S0029D	450			
S0821S0030D	500			
S0821S0031D	600			
S0821S0032D	700	180	430	250
S0821S0033D	100			
S0821S0034D	150			
S0821S0035D	200			
S0821S0036D	250			
S0821S0037D	300			
S0821S0038D	350			

Ref.No.	F1 ( N )	L1 Stroke Strok	L2 Extended Lenght Açık Boy	L3 Closed Lenght Kapalı Boy
S0821S0039D	400	180	430	250
S0821S0040D	450			
S0821S0041D	500			
S0821S0042D	600			
S0821S0043D	700			
S0821S0044D	100	200	470	270
S0821S0045D	150			
S0821S0046D	200			
S0821S0047D	250			
S0821S0048D	300			
S0821S0049D	350			
S0821S0050D	400			
S0821S0051D	450			
S0821S0052D	500			
S0821S0053D	600			
S0821S0054D	700	220	510	290
S0821S0055D	100			
S0821S0056D	150			
S0821S0057D	200			
S0821S0058D	250			
S0821S0059D	300			
S0821S0060D	350			
S0821S0061D	400			
S0821S0062D	450			
S0821S0063D	500			
S0821S0064D	600	250	570	320
S0821S0065D	700			
S0821S0066D	100			
S0821S0067D	150			
S0821S0068D	200			
S0821S0069D	250			
S0821S0070D	300			
S0821S0071D	350			
S0821S0072D	400			
S0821S0073D	450			
S0821S0074D	500			

GAYSAN LIFT AMORTİSÖRÜ STANDARTLARI / GAYSAN GAS SPRING LIFT STANDARDS											
STROKE STROK (mm)	25-50	51-100	101-150	151-200	201-250	251-300	301-350	351-400	401-450	451-500	501- →
DAMPENING FRENLEME (mm) 25	15	20	25	30	35	40	45	50	55	60	65
EXTENSION SPEED AÇILMA HIZI (mm/sn)	100-300										
ROD / TUBE END FITTINGS MİL / BORU BAĞLANTIŞI	GAYSAN END FITTING CATALOG / GAYSAN BAĞLANTI KATALOĞU										

Dimensions in mm / We reserve the right to make modifications. Ölçülerde değişiklik yapma hakkımız saklıdır.

## 08-21 THREADED ENDS LIFT



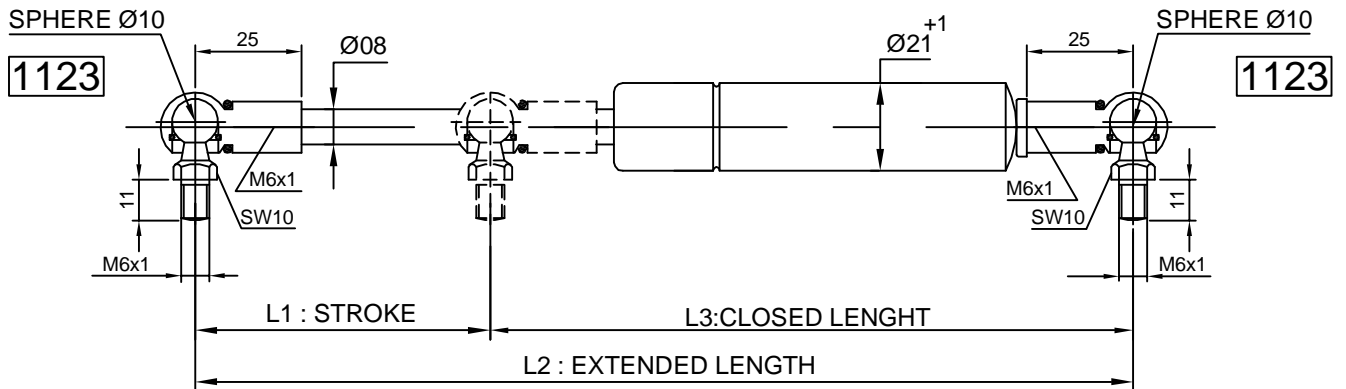
Ref.No.	F1 ( N )	L1 Stroke Strok	L2 Extended Lenght Açık Boy	L3 Closed Lenght Kapalı Boy			
S0821S0001M	500	60	220	160			
S0821S0002M	600						
S0821S0003M	500	80	260	180			
S0821S0004M	600						
S0821S0005M	500	100	300	200			
S0821S0006M	600						
S0821S0007M	500	120	340	220			
S0821S0008M	600						
S0821S0009M	400	140	380	240			
S0821S0010M	500						
S0821S0011M	600	160	420	260			
S0821S0012M	100						
S0821S0013M	150						
S0821S0014M	200						
S0821S0015M	250						
S0821S0016M	300						
S0821S0017M	350						
S0821S0018M	400						
S0821S0019M	500						
S0821S0020M	600						
S0821S0021M	100				180	460	280
S0821S0022M	150						
S0821S0023M	200						
S0821S0024M	250						
S0821S0025M	300						
S0821S0026M	350						
S0821S0027M	400						
S0821S0028M	500						
S0821S0029M	600						

Ref.No.	F1 ( N )	L1 Stroke Strok	L2 Extended Lenght Açık Boy	L3 Closed Lenght Kapalı Boy
S0821S0030M	100	200	500	300
S0821S0031M	150			
S0821S0032M	200			
S0821S0033M	250			
S0821S0034M	300			
S0821S0035M	350			
S0821S0036M	400			
S0821S0037M	500			
S0821S0038M	600			
S0821S0039M	100	220	540	320
S0821S0040M	150			
S0821S0041M	200			
S0821S0042M	250			
S0821S0043M	300			
S0821S0044M	350			
S0821S0045M	400			
S0821S0046M	500			
S0821S0047M	600			
S0821S0048M	100			
S0821S0049M	150			
S0821S0050M	200			
S0821S0051M	250			
S0821S0052M	300			
S0821S0053M	350			
S0821S0054M	400			
S0821S0055M	500			

GAYSAN LIFT AMORTİSÖRÜ STANDARTLARI / GAYSAN GAS SPRING LIFT STANDARDS											
STROKE STROK (mm)	25-50	51-100	101-150	151-200	201-250	251-300	301-350	351-400	401-450	451-500	501- →
DAMPENING FRENLEME (mm) 25	15	20	25	30	35	40	45	50	55	60	65
EXTENSION SPEED AÇILMA HIZI (mm/sn)	100-300										
ROD / TUBE END FITTINGS MİL / BORU BAĞLANTISI	GAYSAN END FITTING CATALOG / GAYSAN BAĞLANTI KATALOĞU										

Dimensions in mm / We reserve the right to make modifications. Ölçülerde değişiklik yapma hakkımız saklıdır.

## 08-21 THREADED ENDS LIFT



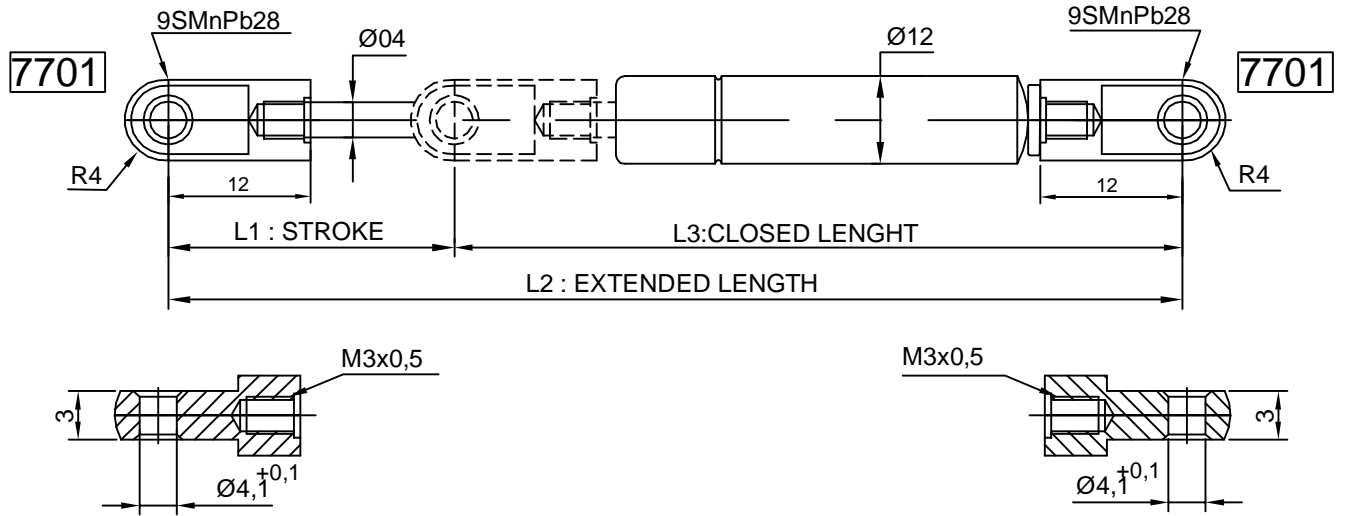
Ref.No.	F1 ( N )	L1 Stroke Strok	L2 Extended Lenght Açık Boy	L3 Closed Lenght Kapalı Boy			
S0821S0101M	500	60	220	160			
S0821S0102M	600						
S0821S0103M	500	80	260	180			
S0821S0104M	600						
S0821S0105M	500	100	300	200			
S0821S0106M	600						
S0821S0107M	500	120	340	220			
S0821S0108M	600						
S0821S0109M	400	140	380	240			
S0821S0110M	500						
S0821S0111M	600	160	420	260			
S0821S0112M	100						
S0821S0113M	150						
S0821S0114M	200						
S0821S0115M	250						
S0821S0116M	300						
S0821S0117M	350						
S0821S0118M	400						
S0821S0119M	500						
S0821S0120M	600						
S0821S0121M	100				180	460	280
S0821S0122M	150						
S0821S0123M	200						
S0821S0124M	250						
S0821S0125M	300						
S0821S0126M	350						
S0821S0127M	400						
S0821S0128M	500						
S0821S0129M	600						

Ref.No.	F1 ( N )	L1 Stroke Strok	L2 Extended Lenght Açık Boy	L3 Closed Lenght Kapalı Boy
S0821S0130M	100	200	500	300
S0821S0131M	150			
S0821S0132M	200			
S0821S0133M	250			
S0821S0134M	300			
S0821S0135M	350			
S0821S0136M	400			
S0821S0137M	500	220	540	320
S0821S0138M	600			
S0821S0139M	100			
S0821S0140M	150			
S0821S0141M	200			
S0821S0142M	250			
S0821S0143M	300			
S0821S0144M	350			
S0821S0145M	400			
S0821S0146M	500			
S0821S0147M	600	250	600	350
S0821S0148M	100			
S0821S0149M	150			
S0821S0150M	200			
S0821S0151M	250			
S0821S0152M	300			
S0821S0153M	350			
S0821S0154M	400			
S0821S0155M	500			

GAYSAN LIFT AMORTİSÖRÜ STANDARTLARI / GAYSAN GAS SPRING LIFT STANDARDS											
STROKE STROK (mm)	25-50	51-100	101-150	151-200	201-250	251-300	301-350	351-400	401-450	451-500	501- →
DAMPENING FRENLEME (mm) 25	15	20	25	30	35	40	45	50	55	60	65
EXTENSION SPEED AÇILMA HIZI (mm/sn)	100-300										
ROD / TUBE END FITTINGS MİL / BORU BAĞLANTISI	GAYSAN END FITTING CATALOG / GAYSAN BAĞLANTI KATALOĞU										

Dimensions in mm / We reserve the right to make modifications. Ölçülerde değişiklik yapma hakkımız saklıdır.

## 04-12 THREADED ENDS LIFT



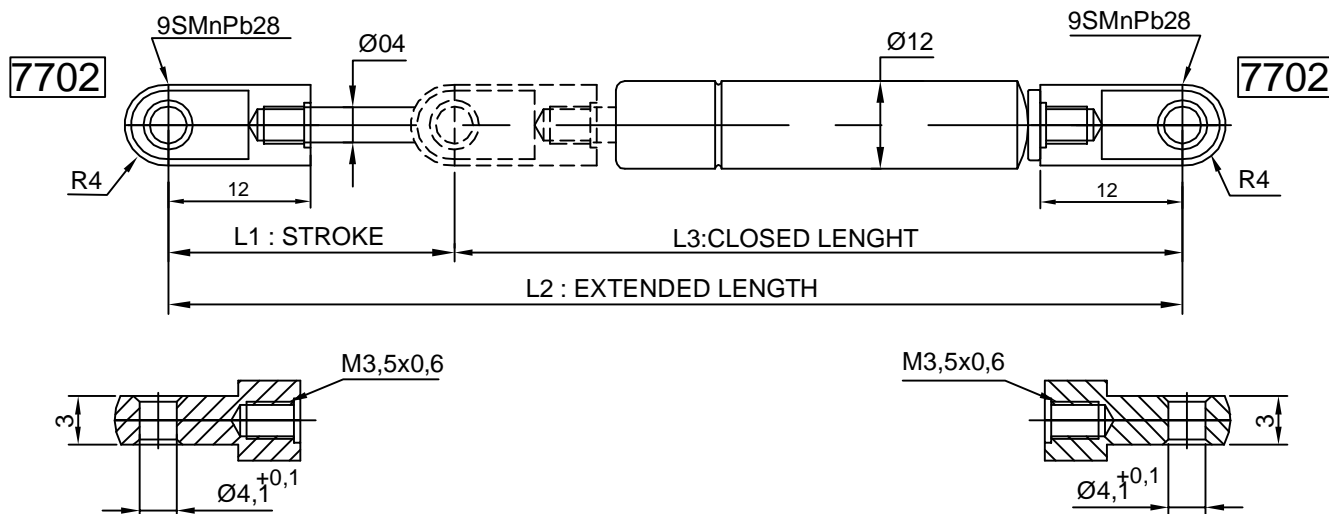
Ref.No.	F1 ( N )	L1 Stroke Strok	L2 Extended Length Açık Boy	L3 Closed Length Kapalı Boy
S0412S0001M	10	30	115	85
S0412S0002M	25			
S0412S0003M	50			
S0412S0004M	75			
S0412S0005M	100			
S0412S0006M	125			
S0412S0007M	150			
S0412S0008M	175			
S0412S0009M	10	40	135	95
S0412S0010M	25			
S0412S0011M	50			
S0412S0012M	75			
S0412S0013M	100			
S0412S0014M	125			
S0412S0015M	150			
S0412S0016M	175			
S0412S0017M	10	60	175	115
S0412S0018M	25			
S0412S0019M	50			
S0412S0020M	75			
S0412S0021M	100			
S0412S0022M	125			
S0412S0023M	150			
S0412S0024M	175			

Ref.No.	F1 ( N )	L1 Stroke Strok	L2 Extended Length Açık Boy	L3 Closed Length Kapalı Boy			
S0412S0025M	10	80	215	135			
S0412S0026M	25						
S0412S0027M	50						
S0412S0028M	75						
S0412S0029M	100						
S0412S0030M	125						
S0412S0031M	150						
S0412S0032M	175						
S0412S0033M	10	100	255	155			
S0412S0034M	25						
S0412S0035M	50						
S0412S0036M	75						
S0412S0037M	100						
S0412S0038M	125						
S0412S0039M	150						
S0412S0040M	10				120	295	175
S0412S0041M	25						
S0412S0042M	50						
S0412S0043M	75						
S0412S0044M	100						
S0412S0045M	125						
S0412S0046M	10	150	355	205			
S0412S0047M	25						
S0412S0048M	50						
S0412S0049M	75						
S0412S0050M	100						

GAYSAN LIFT AMORTİSÖRÜ STANDARTLARI / GAYSAN GAS SPRING LIFT STANDARDS											
STROKE STROK (mm)	25-50	51-100	101-150	151-200	201-250	251-300	301-350	351-400	401-450	451-500	501- →
DAMPENING FRENLEME (mm) 25	15	20	25	30	35	40	45	50	55	60	65
EXTENSION SPEED AÇILMA HIZI (mm/sn)	100-300										
ROD / TUBE END FITTINGS MİL / BORU BAĞLANTISI	GAYSAN END FITTING CATALOG / GAYSAN BAĞLANTI KATALOĞU										

Dimensions in mm / We reserve the right to make modifications. Ölçülerde değişiklik yapma hakkımız saklıdır.

## 04-12 THREADED ENDS LIFT



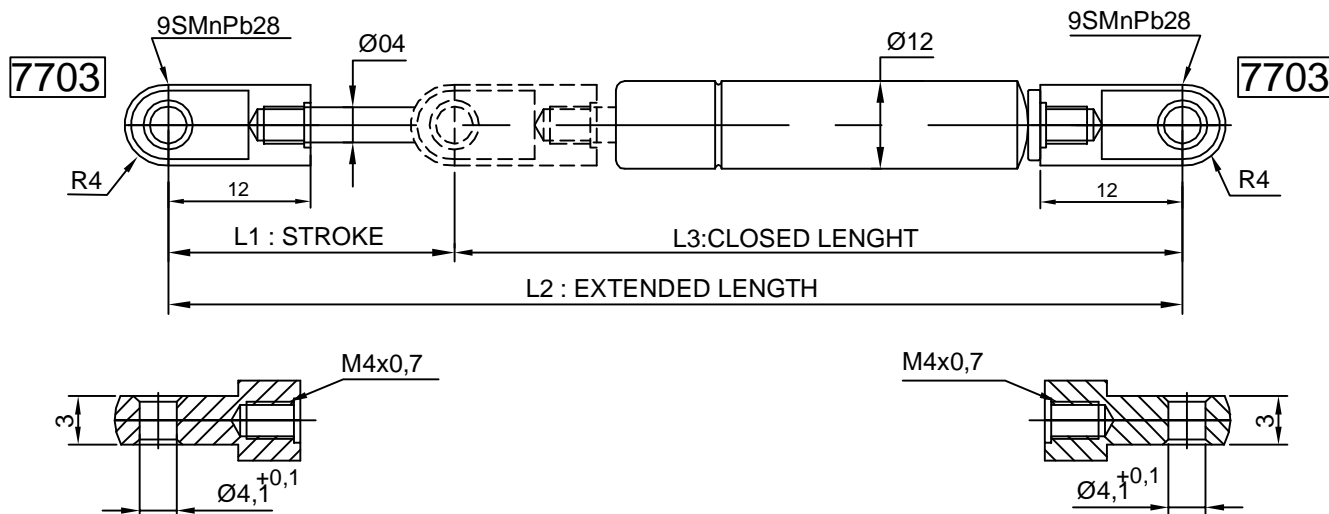
Ref.No.	F1 ( N )	L1 Stroke Strok	L2 Extended Length Açık Boy	L3 Closed Length Kapalı Boy
S0412S0101M	10	30	115	85
S0412S0102M	25			
S0412S0103M	50			
S0412S0104M	75			
S0412S0105M	100			
S0412S0106M	125			
S0412S0107M	150			
S0412S0108M	175			
S0412S0109M	10	40	135	95
S0412S0110M	25			
S0412S0111M	50			
S0412S0112M	75			
S0412S0113M	100			
S0412S0114M	125			
S0412S0115M	150			
S0412S0116M	175			
S0412S0117M	10	60	175	115
S0412S0118M	25			
S0412S0119M	50			
S0412S0120M	75			
S0412S0121M	100			
S0412S0122M	125			
S0412S0123M	150			
S0412S0124M	175			

Ref.No.	F1 ( N )	L1 Stroke Strok	L2 Extended Length Açık Boy	L3 Closed Length Kapalı Boy			
S0412S0125M	10	80	215	135			
S0412S0126M	25						
S0412S0127M	50						
S0412S0128M	75						
S0412S0129M	100						
S0412S0130M	125						
S0412S0131M	150						
S0412S0132M	175						
S0412S0133M	10	100	255	155			
S0412S0134M	25						
S0412S0135M	50						
S0412S0136M	75						
S0412S0137M	100						
S0412S0138M	125						
S0412S0139M	150						
S0412S0140M	10				120	295	175
S0412S0141M	25						
S0412S0142M	50						
S0412S0143M	75						
S0412S0144M	100						
S0412S0145M	125						
S0412S0146M	10	150	355	205			
S0412S0147M	25						
S0412S0148M	50						
S0412S0149M	75						
S0412S0150M	100						

GAYSAN LIFT AMORTİSÖRÜ STANDARTLARI / GAYSAN GAS SPRING LIFT STANDARDS											
STROKE STROK (mm)	25-50	51-100	101-150	151-200	201-250	251-300	301-350	351-400	401-450	451-500	501- →
DAMPENING FRENLEME (mm) 25	15	20	25	30	35	40	45	50	55	60	65
EXTENSION SPEED AÇILMA HIZI (mm/sn)	100-300										
ROD / TUBE END FITTINGS MİL / BORU BAĞLANTISI	GAYSAN END FITTING CATALOG / GAYSAN BAĞLANTI KATALOĞU										

Dimensions in mm / We reserve the right to make modifications. Ölçülerde değişiklik yapma hakkımız saklıdır.

## 04-12 THREADED ENDS LIFT



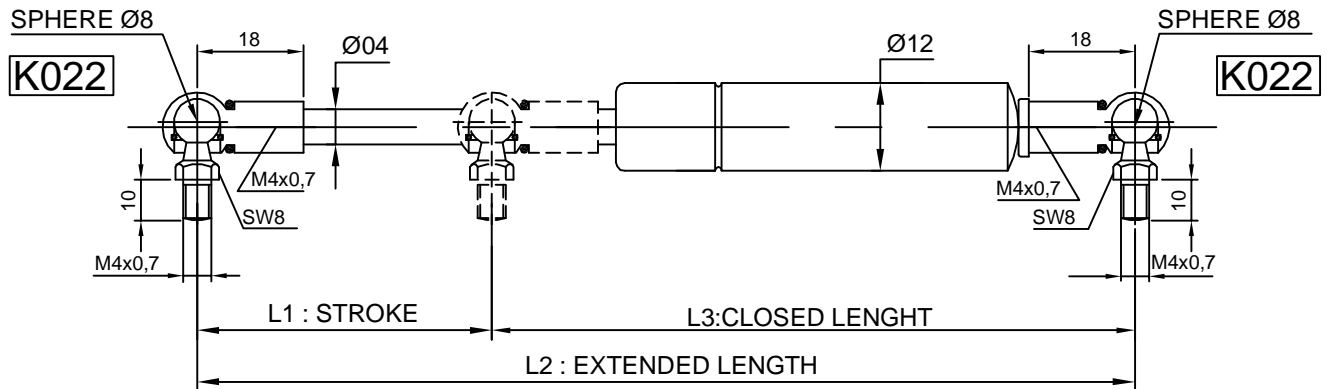
Ref.No.	F1 ( N )	L1 Stroke Strok	L2 Extended Length Açık Boy	L3 Closed Length Kapalı Boy
S0412S0201M	10	30	115	85
S0412S0202M	25			
S0412S0203M	50			
S0412S0204M	75			
S0412S0205M	100			
S0412S0206M	125			
S0412S0207M	150			
S0412S0208M	175			
S0412S0209M	10			
S0412S0210M	25			
S0412S0211M	50			
S0412S0212M	75			
S0412S0213M	100			
S0412S0214M	125			
S0412S0215M	150			
S0412S0216M	175			
S0412S0217M	10	60	175	115
S0412S0218M	25			
S0412S0219M	50			
S0412S0220M	75			
S0412S0221M	100			
S0412S0222M	125			
S0412S0223M	150			
S0412S0224M	175			

Ref.No.	F1 ( N )	L1 Stroke Strok	L2 Extended Length Açık Boy	L3 Closed Length Kapalı Boy			
S0412S0225M	10	80	215	135			
S0412S0226M	25						
S0412S0227M	50						
S0412S0228M	75						
S0412S0229M	100						
S0412S0230M	125						
S0412S0231M	150						
S0412S0232M	175						
S0412S0233M	10				100	255	155
S0412S0234M	25						
S0412S0235M	50						
S0412S0236M	75						
S0412S0237M	100						
S0412S0238M	125						
S0412S0239M	150						
S0412S0240M	10	120	295	175			
S0412S0241M	25						
S0412S0242M	50						
S0412S0243M	75						
S0412S0244M	100						
S0412S0245M	125						
S0412S0246M	10				150	355	205
S0412S0247M	25						
S0412S0248M	50						
S0412S0249M	75						
S0412S0250M	100						

GAYSAN LIFT AMORTİSÖRÜ STANDARTLARI / GAYSAN GAS SPRING LIFT STANDARDS											
STROKE STROK (mm)	25-50	51-100	101-150	151-200	201-250	251-300	301-350	351-400	401-450	451-500	501- →
DAMPENING FRENLEME (mm) 25	15	20	25	30	35	40	45	50	55	60	65
EXTENSION SPEED AÇILMA HIZI (mm/sn)	100-300										
ROD / TUBE END FITTINGS MİL / BORU BAĞLANTISI	GAYSAN END FITTING CATALOG / GAYSAN BAĞLANTI KATALOĞU										

Dimensions in mm / We reserve the right to make modifications. Ölçülerde değişiklik yapma hakkımız saklıdır.

## 04-12 THREADED ENDS LIFT



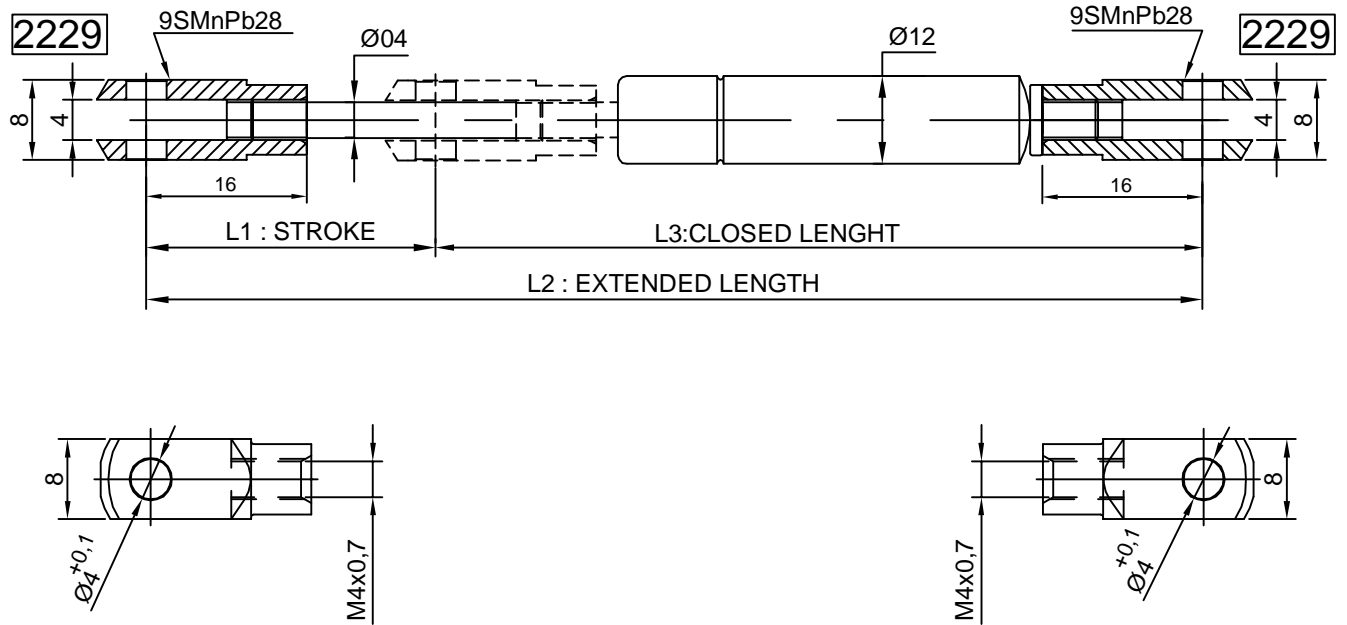
Ref.No.	F1 ( N )	L1 Stroke Strok	L2 Extended Length Açık Boy	L3 Closed Length Kapalı Boy
S0412S0301M	10	30	130	100
S0412S0302M	25			
S0412S0303M	50			
S0412S0304M	75			
S0412S0305M	100			
S0412S0306M	125			
S0412S0307M	150			
S0412S0308M	175			
S0412S0309M	10	40	150	110
S0412S0310M	25			
S0412S0311M	50			
S0412S0312M	75			
S0412S0313M	100			
S0412S0314M	125			
S0412S0315M	150			
S0412S0316M	175			
S0412S0317M	10	60	190	130
S0412S0318M	25			
S0412S0319M	50			
S0412S0320M	75			
S0412S0321M	100			
S0412S0322M	125			
S0412S0323M	150			
S0412S0324M	175			

Ref.No.	F1 ( N )	L1 Stroke Strok	L2 Extended Length Açık Boy	L3 Closed Length Kapalı Boy			
S0412S0325M	10	80	230	150			
S0412S0326M	25						
S0412S0327M	50						
S0412S0328M	75						
S0412S0329M	100						
S0412S0330M	125						
S0412S0331M	150						
S0412S0332M	175						
S0412S0333M	10	100	270	170			
S0412S0334M	25						
S0412S0335M	50						
S0412S0336M	75						
S0412S0337M	100						
S0412S0338M	125						
S0412S0339M	150						
S0412S0340M	10				120	310	190
S0412S0341M	25						
S0412S0342M	50						
S0412S0343M	75						
S0412S0344M	100						
S0412S0345M	125						
S0412S0346M	10	150	370	220			
S0412S0347M	25						
S0412S0348M	50						
S0412S0349M	75						
S0412S0350M	100						

GAYSAN LIFT AMORTİSÖRÜ STANDARTLARI / GAYSAN GAS SPRING LIFT STANDARDS											
STROKE STROK (mm)	25-50	51-100	101-150	151-200	201-250	251-300	301-350	351-400	401-450	451-500	501- →
DAMPENING FRENLEME (mm) 25	15	20	25	30	35	40	45	50	55	60	65
EXTENSION SPEED AÇILMA HIZI (mm/sn)	100-300										
ROD / TUBE END FITTINGS MİL / BORU BAĞLANTISI	GAYSAN END FITTING CATALOG / GAYSAN BAĞLANTI KATALOĞU										

Dimensions in mm / We reserve the right to make modifications. Ölçülerde değişiklik yapma hakkımız saklıdır.

## 04-12 THREADED ENDS LIFT



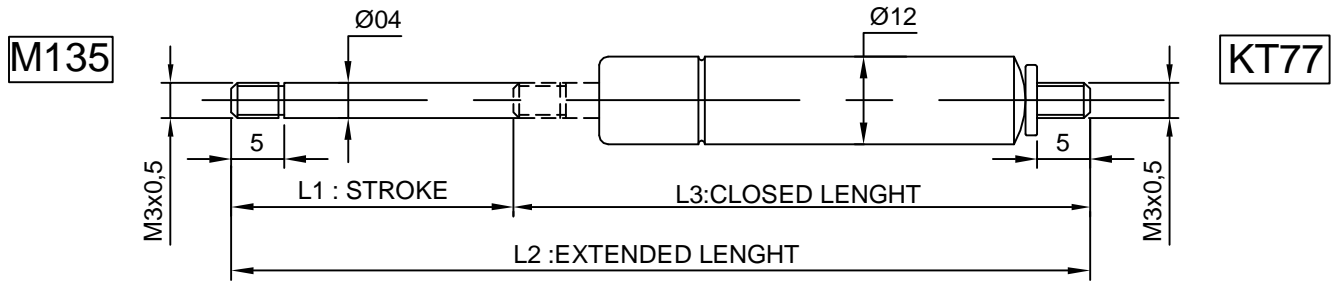
Ref.No.	F1 ( N )	L1 Stroke Strok	L2 Extended Length Açık Boy	L3 Closed Length Kapalı Boy
S0412S0401M	10	30	130	100
S0412S0402M	25			
S0412S0403M	50			
S0412S0404M	75			
S0412S0405M	100			
S0412S0406M	125			
S0412S0407M	150			
S0412S0408M	175			
S0412S0409M	10			
S0412S0410M	25			
S0412S0411M	50			
S0412S0412M	75			
S0412S0413M	100			
S0412S0414M	125			
S0412S0415M	150			
S0412S0416M	175			
S0412S0417M	10	60	190	130
S0412S0418M	25			
S0412S0419M	50			
S0412S0420M	75			
S0412S0421M	100			
S0412S0422M	125			
S0412S0423M	150			
S0412S0424M	175			

Ref.No.	F1 ( N )	L1 Stroke Strok	L2 Extended Length Açık Boy	L3 Closed Length Kapalı Boy			
S0412S0425M	10	80	230	150			
S0412S0426M	25						
S0412S0427M	50						
S0412S0428M	75						
S0412S0429M	100						
S0412S0430M	125						
S0412S0431M	150						
S0412S0432M	175						
S0412S0433M	10				100	270	170
S0412S0434M	25						
S0412S0435M	50						
S0412S0436M	75						
S0412S0437M	100						
S0412S0438M	125						
S0412S0439M	150						
S0412S0440M	10	120	310	190			
S0412S0441M	25						
S0412S0442M	50						
S0412S0443M	75						
S0412S0444M	100						
S0412S0445M	125						
S0412S0446M	10				150	370	220
S0412S0447M	25						
S0412S0448M	50						
S0412S0449M	75						
S0412S0450M	100						

GAYSAN LIFT AMORTİSÖRÜ STANDARTLARI / GAYSAN GAS SPRING LIFT STANDARDS											
STROKE STROK (mm)	25-50	51-100	101-150	151-200	201-250	251-300	301-350	351-400	401-450	451-500	501- →
DAMPENING FRENLEME (mm) 25	15	20	25	30	35	40	45	50	55	60	65
EXTENSION SPEED AÇILMA HIZI (mm/sn)	100-300										
ROD / TUBE END FITTINGS MİL / BORU BAĞLANTISI	GAYSAN END FITTING CATALOG / GAYSAN BAĞLANTI KATALOĞU										

Dimensions in mm / We reserve the right to make modifications. Ölçülerde değişiklik yapma hakkımız saklıdır.

## 04-12 THREADED ENDS LIFT



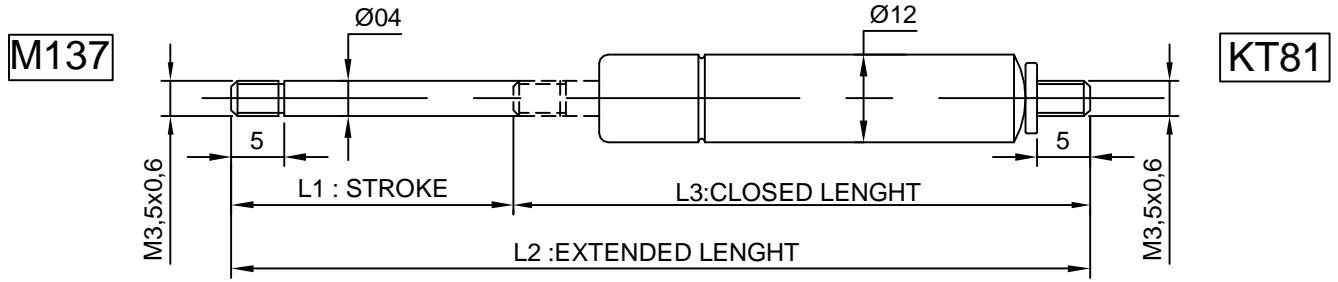
Ref.No.	F1 ( N )	L1 Stroke Strok	L2 Extended Lenght Açık Boy	L3 Closed Lenght Kapalı Boy
S0412S0001D	10	30	110	80
S0412S0002D	25			
S0412S0003D	50			
S0412S0004D	75			
S0412S0005D	100			
S0412S0006D	125			
S0412S0007D	150			
S0412S0008D	175			
S0412S0009D	10	40	130	90
S0412S0010D	25			
S0412S0011D	50			
S0412S0012D	75			
S0412S0013D	100			
S0412S0014D	125			
S0412S0015D	150			
S0412S0016D	175			
S0412S0017D	10	60	170	110
S0412S0018D	25			
S0412S0019D	50			
S0412S0020D	75			
S0412S0021D	100			
S0412S0022D	125			
S0412S0023D	150			
S0412S0024D	175			

Ref.No.	F1 ( N )	L1 Stroke Strok	L2 Extended Lenght Açık Boy	L3 Closed Lenght Kapalı Boy			
S0412S0025D	10	80	210	130			
S0412S0026D	25						
S0412S0027D	50						
S0412S0028D	75						
S0412S0029D	100						
S0412S0030D	125						
S0412S0031D	150						
S0412S0032D	175						
S0412S0033D	10	100	250	150			
S0412S0034D	25						
S0412S0035D	50						
S0412S0036D	75						
S0412S0037D	100						
S0412S0038D	125						
S0412S0039D	150						
S0412S0040D	10				120	290	170
S0412S0041D	25						
S0412S0042D	50						
S0412S0043D	75						
S0412S0044D	100						
S0412S0045D	125						
S0412S0046D	10	150	350	200			
S0412S0047D	25						
S0412S0048D	50						
S0412S0049D	75						
S0412S0050D	100						

GAYSAN LIFT AMORTİSÖRÜ STANDARTLARI / GAYSAN GAS SPRING LIFT STANDARDS											
STROKE ŞTOK (mm)	25-50	51-100	101-150	151-200	201-250	251-300	301-350	351-400	401-450	451-500	501- →
DAMPENING FRENLEME (mm) 25	15	20	25	30	35	40	45	50	55	60	65
EXTENSION SPEED AÇILMA HIZI (mm/sn)	100-300										
ROD / TUBE END FITTINGS MİL / BORU BAĞLANTISI	GAYSAN END FITTING CATALOG / GAYSAN BAĞLANTI KATALOĞU										

Dimensions in mm / We reserve the right to make modifications. Ölçülerde değişiklik yapma hakkımız saklıdır.

## 04-12 THREADED ENDS LIFT



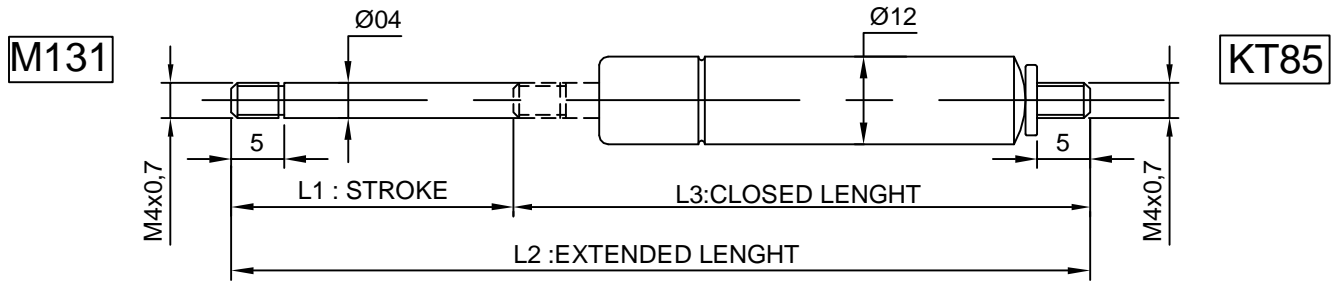
Ref.No.	F1 ( N )	L1 Stroke Strok	L2 Extended Lenght Açık Boy	L3 Closed Lenght Kapalı Boy
S0412S0101D	10	30	110	80
S0412S0102D	25			
S0412S0103D	50			
S0412S0104D	75			
S0412S0105D	100			
S0412S0106D	125			
S0412S0107D	150			
S0412S0108D	175			
S0412S0109D	10	40	130	90
S0412S0110D	25			
S0412S0111D	50			
S0412S0112D	75			
S0412S0113D	100			
S0412S0114D	125			
S0412S0115D	150			
S0412S0116D	175			
S0412S0117D	10	60	170	110
S0412S0118D	25			
S0412S0119D	50			
S0412S0120D	75			
S0412S0121D	100			
S0412S0122D	125			
S0412S0123D	150			
S0412S0124D	175			

Ref.No.	F1 ( N )	L1 Stroke Strok	L2 Extended Lenght Açık Boy	L3 Closed Lenght Kapalı Boy			
S0412S0125D	10	80	210	130			
S0412S0126D	25						
S0412S0127D	50						
S0412S0128D	75						
S0412S0129D	100						
S0412S0130D	125						
S0412S0131D	150						
S0412S0132D	175						
S0412S0133D	10	100	250	150			
S0412S0134D	25						
S0412S0135D	50						
S0412S0136D	75						
S0412S0137D	100						
S0412S0138D	125						
S0412S0139D	150						
S0412S0140D	10				120	290	170
S0412S0141D	25						
S0412S0142D	50						
S0412S0143D	75						
S0412S0144D	100						
S0412S0145D	125						
S0412S0146D	10	150	350	200			
S0412S0147D	25						
S0412S0148D	50						
S0412S0149D	75						
S0412S0150D	100						

GAYSAN LIFT AMORTİSÖRÜ STANDARTLARI / GAYSAN GAS SPRING LIFT STANDARDS											
STROKE ŞTOK (mm)	25-50	51-100	101-150	151-200	201-250	251-300	301-350	351-400	401-450	451-500	501- →
DAMPENING FRENLEME (mm) 25	15	20	25	30	35	40	45	50	55	60	65
EXTENSION SPEED AÇILMA HIZI (mm/sn)	100-300										
ROD / TUBE END FITTINGS MİL / BORU BAĞLANTISI	GAYSAN END FITTING CATALOG / GAYSAN BAĞLANTI KATALOĞU										

Dimensions in mm / We reserve the right to make modifications. Ölçülerde değişiklik yapma hakkımız saklıdır.

## 04-12 THREADED ENDS LIFT



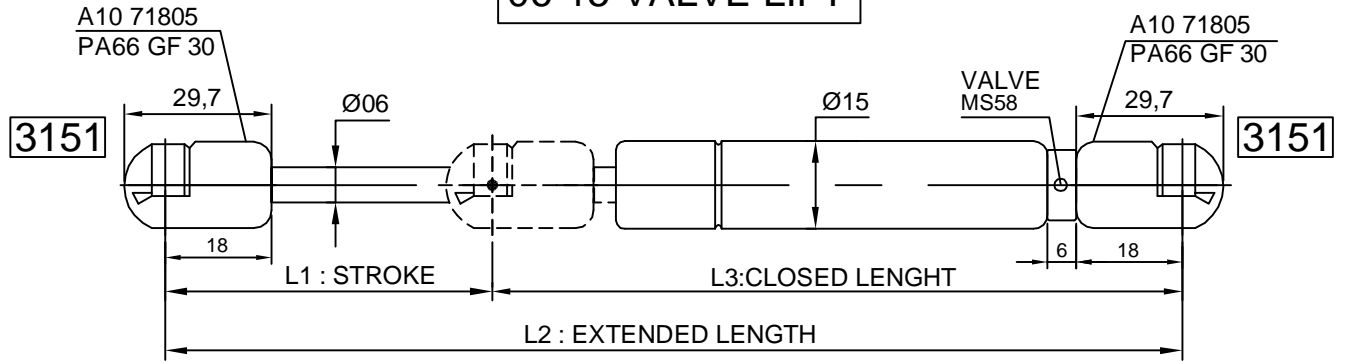
Ref.No.	F1 ( N )	L1 Stroke Strok	L2 Extended Lenght Açık Boy	L3 Closed Lenght Kapalı Boy
S0412S0201D	10	30	110	80
S0412S0202D	25			
S0412S0203D	50			
S0412S0204D	75			
S0412S0205D	100			
S0412S0206D	125			
S0412S0207D	150			
S0412S0208D	175			
S0412S0209D	10	40	130	90
S0412S0210D	25			
S0412S0211D	50			
S0412S0212D	75			
S0412S0213D	100			
S0412S0214D	125			
S0412S0215D	150			
S0412S0216D	175			
S0412S0217D	10	60	170	110
S0412S0218D	25			
S0412S0219D	50			
S0412S0220D	75			
S0412S0221D	100			
S0412S0222D	125			
S0412S0223D	150			
S0412S0224D	175			

Ref.No.	F1 ( N )	L1 Stroke Strok	L2 Extended Lenght Açık Boy	L3 Closed Lenght Kapalı Boy			
S0412S0225D	10	80	210	130			
S0412S0226D	25						
S0412S0227D	50						
S0412S0228D	75						
S0412S0229D	100						
S0412S0230D	125						
S0412S0231D	150						
S0412S0232D	175						
S0412S0233D	10	100	250	150			
S0412S0234D	25						
S0412S0235D	50						
S0412S0236D	75						
S0412S0237D	100						
S0412S0238D	125						
S0412S0239D	150						
S0412S0240D	10				120	290	170
S0412S0241D	25						
S0412S0242D	50						
S0412S0243D	75						
S0412S0244D	100						
S0412S0245D	125						
S0412S0246D	10	150	350	200			
S0412S0247D	25						
S0412S0248D	50						
S0412S0249D	75						
S0412S0250D	100						

GAYSAN LIFT AMORTİSÖRÜ STANDARTLARI / GAYSAN GAS SPRING LIFT STANDARDS											
STROKE STROK (mm)	25-50	51-100	101-150	151-200	201-250	251-300	301-350	351-400	401-450	451-500	501- →
DAMPENING FRENLEME (mm) 25	15	20	25	30	35	40	45	50	55	60	65
EXTENSION SPEED AÇILMA HIZI (mm/sn)	100-300										
ROD / TUBE END FITTINGS MİL / BORU BAĞLANTISI	GAYSAN END FITTING CATALOG / GAYSAN BAĞLANTI KATALOĞU										

Dimensions in mm / We reserve the right to make modifications. Ölçülerde değişiklik yapma hakkımız saklıdır.

## 06-15 VALVE LIFT



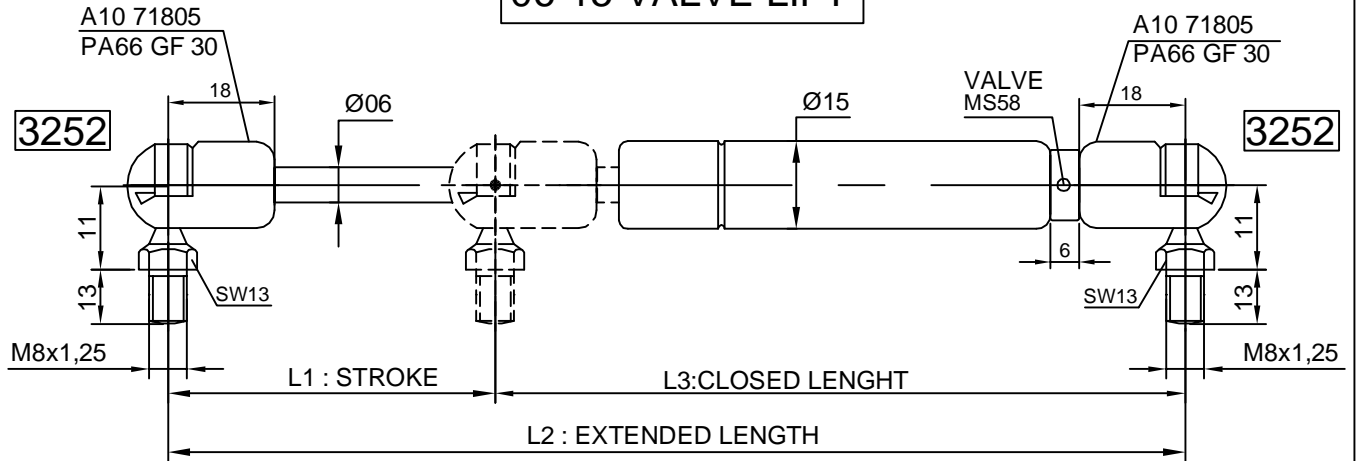
Ref.No.	F1 ( N )	L1 Stroke Strok	L2 Extended Lenght Açık Boy	L3 Closed Lenght Kapalı Boy
S0615V0001P	50	20	130	110
S0615V0002P	100			
S0615V0003P	150			
S0615V0004P	200			
S0615V0005P	250			
S0615V0006P	300			
S0615V0007P	350			
S0615V0008P	400			
S0615V0009P	50			
S0615V0010P	100			
S0615V0011P	150			
S0615V0012P	200			
S0615V0013P	250			
S0615V0014P	300			
S0615V0015P	350			
S0615V0016P	400			
S0615V0017P	50	60	210	150
S0615V0018P	100			
S0615V0019P	150			
S0615V0020P	200			
S0615V0021P	250			
S0615V0022P	300			
S0615V0023P	350			
S0615V0024P	400			
S0615V0025P	50			
S0615V0026P	100			
S0615V0027P	150			
S0615V0028P	200			
S0615V0029P	250			
S0615V0030P	300			
S0615V0031P	350			
S0615V0032P	400			

Ref.No.	F1 ( N )	L1 Stroke Strok	L2 Extended Lenght Açık Boy	L3 Closed Lenght Kapalı Boy
S0615V0003P	50	100	290	190
S0615V0004P	100			
S0615V00035P	150			
S0615V00036P	200			
S0615V00037P	250			
S0615V00038P	300			
S0615V00039P	350			
S0615V0040P	400			
S0615V0041P	50			
S0615V0042P	100			
S0615V0043P	150			
S0615V0044P	200			
S0615V0045P	250			
S0615V0046P	300			
S0615V0047P	350			
S0615V0048P	400			
S0615V0049P	50	150	390	240
S0615V0050P	100			
S0615V0051P	150			
S0615V0052P	200			
S0615V0053P	250			
S0615V0054P	300			
S0615V0055P	350			

GAYSAN LIFT AMORTİSÖRÜ STANDARTLARI / GAYSAN GAS SPRING LIFT STANDARDS											
STROKE ŞTOK (mm)	25-50	51-100	101-150	151-200	201-250	251-300	301-350	351-400	401-450	451-500	501- →
DAMPENING FRENLEME (mm) 25	15	20	25	30	35	40	45	50	55	60	65
EXTENSION SPEED AÇILMA HIZI (mm/sn)	100-300										
ROD / TUBE END FITTINGS MİL / BORU BAĞLANTISI	GAYSAN END FITTING CATALOG / GAYSAN BAĞLANTI KATALOĞU										

Dimensions in mm / We reserve the right to make modifications. Ölçülerde değişiklik yapma hakkımız saklıdır.

## 06-15 VALVE LIFT



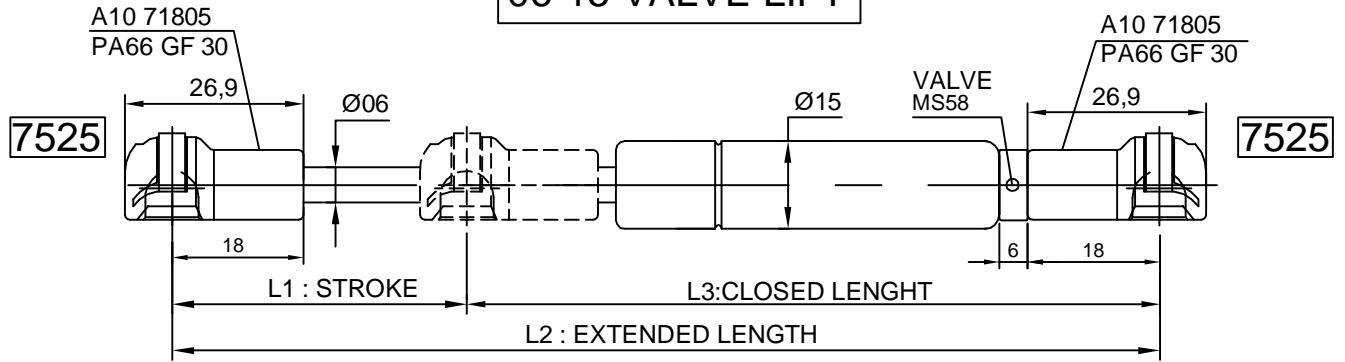
Ref.No.	F1 ( N )	L1 Stroke Strok	L2 Extended Lenght Açık Boy	L3 Closed Lenght Kapalı Boy
S0615V0101P	50	20	130	110
S0615V0102P	100			
S0615V0103P	150			
S0615V0104P	200			
S0615V0105P	250			
S0615V0106P	300			
S0615V0107P	350			
S0615V0108P	400			
S0615V0109P	50			
S0615V0110P	100			
S0615V0111P	150			
S0615V0112P	200			
S0615V0113P	250			
S0615V0114P	300			
S0615V0115P	350			
S0615V0116P	400			
S0615V0117P	50	60	210	150
S0615V0118P	100			
S0615V0119P	150			
S0615V0120P	200			
S0615V0121P	250			
S0615V0122P	300			
S0615V0123P	350			
S0615V0124P	400			
S0615V0125P	50			
S0615V0126P	100			
S0615V0127P	150			
S0615V0128P	200			
S0615V0129P	250			
S0615V0130P	300			
S0615V0131P	350			
S0615V0132P	400			

Ref.No.	F1 ( N )	L1 Stroke Strok	L2 Extended Lenght Açık Boy	L3 Closed Lenght Kapalı Boy
S0615V0133P	50	100	290	190
S0615V0134P	100			
S0615V0135P	150			
S0615V0136P	200			
S0615V0137P	250			
S0615V0138P	300			
S0615V0139P	350			
S0615V0140P	400			
S0615V0141P	50			
S0615V0142P	100			
S0615V0143P	150			
S0615V0144P	200			
S0615V0145P	250			
S0615V0146P	300			
S0615V0147P	350			
S0615V0148P	400			
S0615V0149P	50	150	390	240
S0615V0150P	100			
S0615V0151P	150			
S0615V0152P	200			
S0615V0153P	250			
S0615V0154P	300			
S0615V0155P	350			

GAYSAN LIFT AMORTİSÖRÜ STANDARTLARI / GAYSAN GAS SPRING LIFT STANDARDS											
STROKE ŞTOK (mm)	25-50	51-100	101-150	151-200	201-250	251-300	301-350	351-400	401-450	451-500	501- →
DAMPENING FRENLEME (mm) 25	15	20	25	30	35	40	45	50	55	60	65
EXTENSION SPEED AÇILMA HIZI (mm/sn)	100-300										
ROD / TUBE END FITTINGS MİL / BORU BAĞLANTISI	GAYSAN END FITTING CATALOG / GAYSAN BAĞLANTI KATALOĞU										

Dimensions in mm / We reserve the right to make modifications. Ölçülerde değişiklik yapma hakkımız saklıdır.

## 06-15 VALVE LIFT



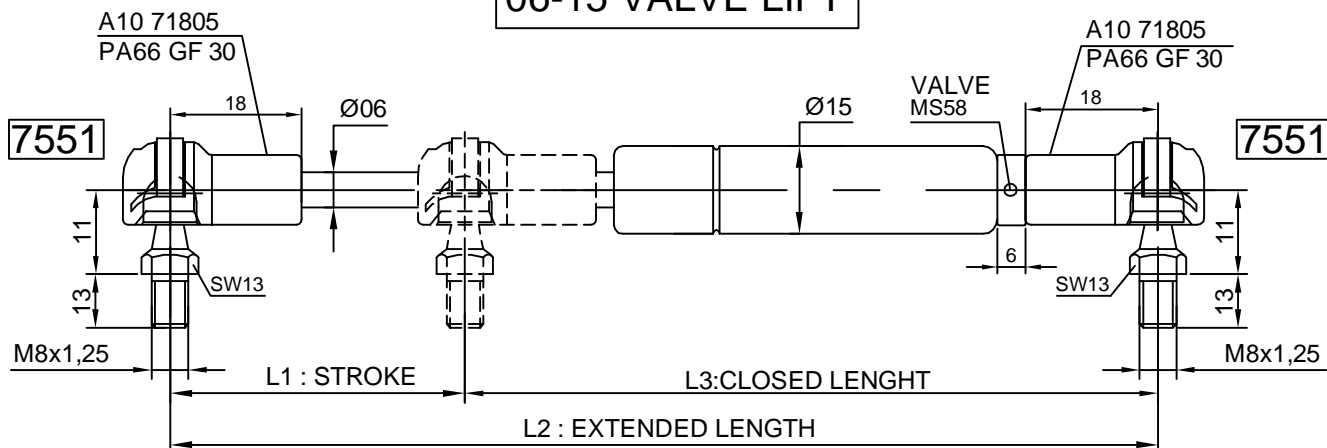
Ref.No.	F1 ( N )	L1 Stroke Strok	L2 Extended Lenght Açık Boy	L3 Closed Lenght Kapalı Boy
S0615V0201P	50	20	130	110
S0615V0202P	100			
S0615V0203P	150			
S0615V0204P	200			
S0615V0205P	250			
S0615V0206P	300			
S0615V0207P	350			
S0615V0208P	400			
S0615V0209P	50			
S0615V0210P	100			
S0615V0211P	150			
S0615V0212P	200			
S0615V0213P	250			
S0615V0214P	300			
S0615V0215P	350			
S0615V0216P	400			
S0615V0217P	50	60	210	150
S0615V0218P	100			
S0615V0219P	150			
S0615V0220P	200			
S0615V0221P	250			
S0615V0222P	300			
S0615V0223P	350			
S0615V0224P	400			
S0615V0225P	50			
S0615V0226P	100			
S0615V0227P	150			
S0615V0228P	200			
S0615V0229P	250			
S0615V0230P	300			
S0615V0231P	350			
S0615V0232P	400			

Ref.No.	F1 ( N )	L1 Stroke Strok	L2 Extended Lenght Açık Boy	L3 Closed Lenght Kapalı Boy
S0615V0233P	50	100	290	190
S0615V0234P	100			
S0615V0235P	150			
S0615V0236P	200			
S0615V0237P	250			
S0615V0238P	300			
S0615V0239P	350			
S0615V0240P	400			
S0615V0241P	50			
S0615V0242P	100			
S0615V0243P	150			
S0615V0244P	200			
S0615V0245P	250			
S0615V0246P	300			
S0615V0247P	350			
S0615V0248P	400			
S0615V0249P	50	150	390	240
S0615V0250P	100			
S0615V0251P	150			
S0615V0252P	200			
S0615V0253P	250			
S0615V0254P	300			
S0615V0255P	350			

GAYSAN LIFT AMORTİSÖRÜ STANDARTLARI / GAYSAN GAS SPRING LIFT STANDARDS											
STROKE ŞTOK (mm)	25-50	51-100	101-150	151-200	201-250	251-300	301-350	351-400	401-450	451-500	501- →
DAMPENING FRENLEME (mm) 25	15	20	25	30	35	40	45	50	55	60	65
EXTENSION SPEED AÇILMA HIZI (mm/sn)	100-300										
ROD / TUBE END FITTINGS MİL / BORU BAĞLANTISI	GAYSAN END FITTING CATALOG / GAYSAN BAĞLANTI KATALOĞU										

Dimensions in mm / We reserve the right to make modifications. Ölçülerde değişiklik yapma hakkımız saklıdır.

## 06-15 VALVE LIFT



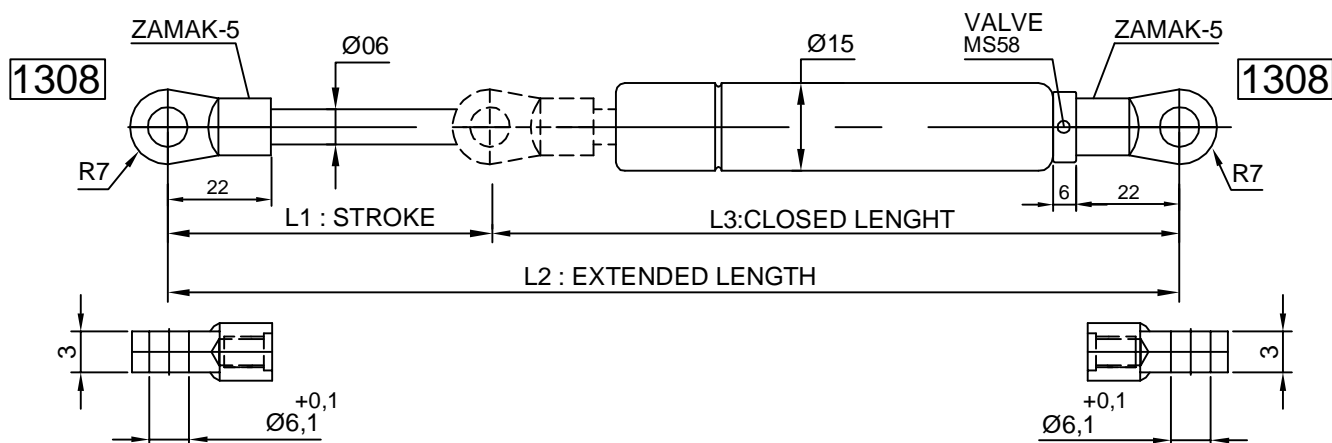
Ref.No.	F1 ( N )	L1 Stroke Strok	L2 Extended Lenght Açık Boy	L3 Closed Lenght Kapalı Boy
S0615V0301P	50	20	130	110
S0615V0302P	100			
S0615V0303P	150			
S0615V0304P	200			
S0615V0305P	250			
S0615V0306P	300			
S0615V0307P	350			
S0615V0308P	400			
S0615V0309P	50			
S0615V0310P	100			
S0615V0311P	150			
S0615V0312P	200			
S0615V0313P	250			
S0615V0314P	300			
S0615V0315P	350			
S0615V0316P	400			
S0615V0317P	50	60	210	150
S0615V0318P	100			
S0615V0319P	150			
S0615V0320P	200			
S0615V0321P	250			
S0615V0322P	300			
S0615V0323P	350			
S0615V0324P	400			
S0615V0325P	50			
S0615V0326P	100			
S0615V0327P	150			
S0615V0328P	200			
S0615V0329P	250			
S0615V0330P	300			
S0615V0331P	350			
S0615V0332P	400			

Ref.No.	F1 ( N )	L1 Stroke Strok	L2 Extended Lenght Açık Boy	L3 Closed Lenght Kapalı Boy
S0615V0333P	50	100	290	190
S0615V0334P	100			
S0615V0335P	150			
S0615V0336P	200			
S0615V0337P	250			
S0615V0338P	300			
S0615V0339P	350			
S0615V0340P	400			
S0615V0341P	50			
S0615V0342P	100			
S0615V0343P	150			
S0615V0344P	200			
S0615V0345P	250			
S0615V0346P	300			
S0615V0347P	350			
S0615V0348P	400			
S0615V0349P	50	150	390	240
S0615V0350P	100			
S0615V0351P	150			
S0615V0352P	200			
S0615V0353P	250			
S0615V0354P	300			
S0615V0355P	350			

GAYSAN LIFT AMORTİSÖRÜ STANDARTLARI / GAYSAN GAS SPRING LIFT STANDARDS											
STROKE ŞTOK (mm)	25-50	51-100	101-150	151-200	201-250	251-300	301-350	351-400	401-450	451-500	501- →
DAMPENING FRENLEME (mm) 25	15	20	25	30	35	40	45	50	55	60	65
EXTENSION SPEED AÇILMA HIZI (mm/sn)	100-300										
ROD / TUBE END FITTINGS MİL / BORU BAĞLANTISI	GAYSAN END FITTING CATALOG / GAYSAN BAĞLANTI KATALOĞU										

Dimensions in mm / We reserve the right to make modifications. Ölçülerde değişiklik yapma hakkımız saklıdır.

## 06-15 VALVE LIFT



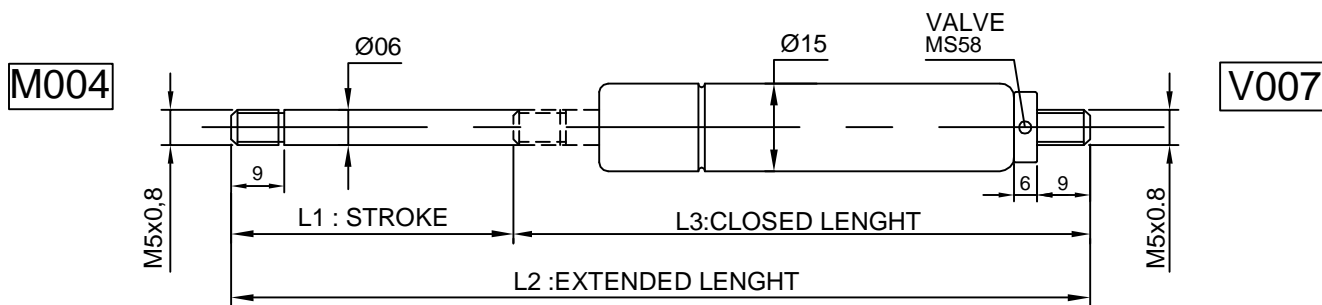
Ref.No.	F1 ( N )	L1 Stroke Strok	L2 Extended Lenght Açık Boy	L3 Closed Lenght Kapalı Boy
S0615V0001Z	50	20	140	120
S0615V0002Z	100			
S0615V0003Z	150			
S0615V0004Z	200			
S0615V0005Z	250			
S0615V0006Z	300			
S0615V0007Z	350			
S0615V0008Z	400			
S0615V0009Z	50	40	180	140
S0615V0010Z	100			
S0615V0011Z	150			
S0615V0012Z	200			
S0615V0013Z	250			
S0615V0014Z	300			
S0615V0015Z	350			
S0615V0016Z	400			
S0615V0017Z	50	60	220	160
S0615V0018Z	100			
S0615V0019Z	150			
S0615V0020Z	200			
S0615V0021Z	250			
S0615V0022Z	300			
S0615V0023Z	350			
S0615V0024Z	400			
S0615V0025Z	50	80	260	180
S0615V0026Z	100			
S0615V0027Z	150			
S0615V0028Z	200			
S0615V0029Z	250			
S0615V0030Z	300			
S0615V0031Z	350			
S0615V0032Z	400			

Ref.No.	F1 ( N )	L1 Stroke Strok	L2 Extended Lenght Açık Boy	L3 Closed Lenght Kapalı Boy
S0615V0033Z	50	100	300	200
S0615V0034Z	100			
S0615V0035Z	150			
S0615V0036Z	200			
S0615V0037Z	250			
S0615V0038Z	300			
S0615V0039Z	350			
S0615V0040Z	400			
S0615V0041Z	50	120	340	220
S0615V0042Z	100			
S0615V0043Z	150			
S0615V0044Z	200			
S0615V0045Z	250			
S0615V0046Z	300			
S0615V0047Z	350			
S0615V0048Z	400			
S0615V0049Z	50	150	400	250
S0615V0050Z	100			
S0615V0051Z	150			
S0615V0052Z	200			
S0615V0053Z	250			
S0615V0054Z	300			
S0615V0055Z	350			
S0615V0056Z	400			

GAYSAN LIFT AMORTİSÖRÜ STANDARTLARI / GAYSAN GAS SPRING LIFT STANDARDS											
STROKE STROK (mm)	25-50	51-100	101-150	151-200	201-250	251-300	301-350	351-400	401-450	451-500	501- →
DAMPENING FRENLEME (mm) 25	15	20	25	30	35	40	45	50	55	60	65
EXTENSION SPEED AÇILMA HIZI (mm/sn)	100-300										
ROD / TUBE END FITTINGS MİL / BORU BAĞLANTISI	GAYSAN END FITTING CATALOG / GAYSAN BAĞLANTI KATALOĞU										

Dimensions in mm / We reserve the right to make modifications. Ölçülerde değişiklik yapma hakkımız saklıdır.

## 06-15 VALVE LIFT



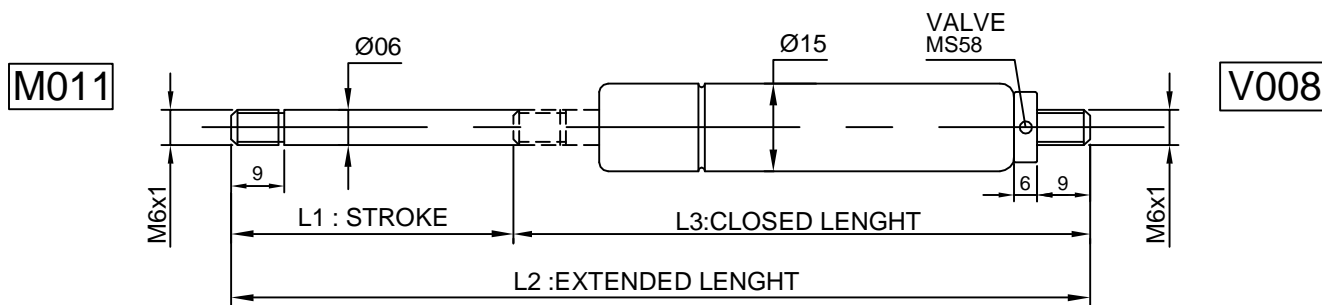
Ref.No.	F1 ( N )	L1 Stroke Strok	L2 Extended Lenght Açık Boy	L3 Closed Lenght Kapalı Boy
S0615V0001D	50	20	110	90
S0615V0002D	100			
S0615V0003D	150			
S0615V0004D	200			
S0615V0005D	250			
S0615V0006D	300			
S0615V0007D	350			
S0615V0008D	400			
S0615V0009D	50	40	150	110
S0615V0010D	100			
S0615V0011D	150			
S0615V0012D	200			
S0615V0013D	250			
S0615V0014D	300			
S0615V0015D	350			
S0615V0016D	400			
S0615V0017D	50	60	190	130
S0615V0018D	100			
S0615V0019D	150			
S0615V0020D	200			
S0615V0021D	250			
S0615V0022D	300			
S0615V0023D	350			
S0615V0024D	400			
S0615V0025D	50	80	230	150
S0615V0026D	100			
S0615V0027D	150			
S0615V0028D	200			
S0615V0029D	250			
S0615V0030D	300			
S0615V0031D	350			
S0615V0032D	400			

Ref.No.	F1 ( N )	L1 Stroke Strok	L2 Extended Lenght Açık Boy	L3 Closed Lenght Kapalı Boy
S0615V0033D	50	100	270	170
S0615V0034D	100			
S0615V0035D	150			
S0615V0036D	200			
S0615V0037D	250			
S0615V0038D	300			
S0615V0039D	350			
S0615V0040D	400			
S0615V0041D	50	120	310	190
S0615V0042D	100			
S0615V0043D	150			
S0615V0044D	200			
S0615V0045D	250			
S0615V0046D	300			
S0615V0047D	350			
S0615V0048D	400			
S0615V0049D	50	150	370	220
S0615V0050D	100			
S0615V0051D	150			
S0615V0052D	200			
S0615V0053D	250			
S0615V0054D	300			
S0615V0055D	350			

GAYSAN LIFT AMORTİSÖRÜ STANDARTLARI / GAYSAN GAS SPRING LIFT STANDARDS											
STROKE ŞTOK (mm)	25-50	51-100	101-150	151-200	201-250	251-300	301-350	351-400	401-450	451-500	501- →
DAMPENING FRENLEME (mm) 25	15	20	25	30	35	40	45	50	55	60	65
EXTENSION SPEED AÇILMA HIZI (mm/sn)	100-300										
ROD / TUBE END FITTINGS MİL / BORU BAĞLANTISI	GAYSAN END FITTING CATALOG / GAYSAN BAĞLANTI KATALOĞU										

Dimensions in mm / We reserve the right to make modifications. Ölçülerde değişiklik yapma hakkımız saklıdır.

## 06-15 VALVE LIFT



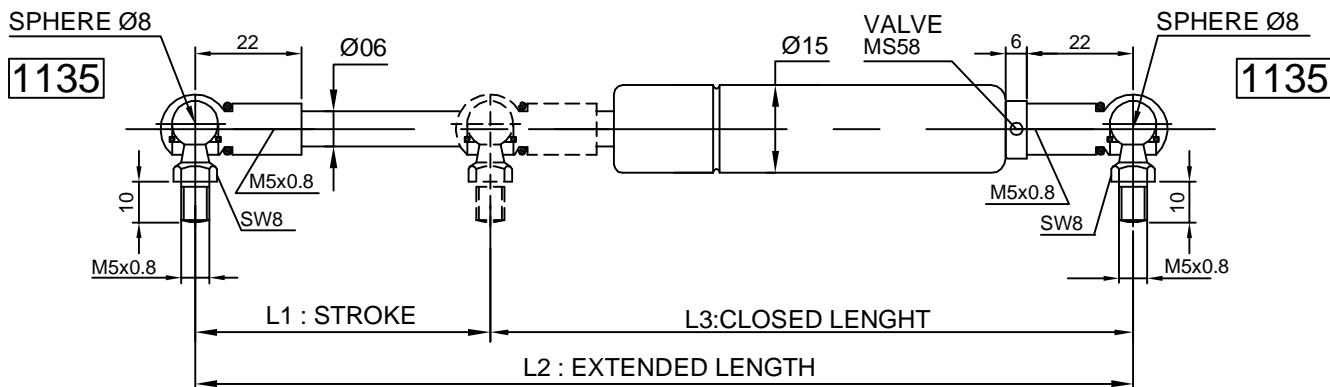
Ref.No.	F1 ( N )	L1 Stroke Strok	L2 Extended Lenght Açık Boy	L3 Closed Lenght Kapalı Boy
S0615V0101D	50	20	110	90
S0615V0102D	100			
S0615V0103D	150			
S0615V0104D	200			
S0615V0105D	250			
S0615V0106D	300			
S0615V0107D	350			
S0615V0108D	400			
S0615V0109D	50	40	150	110
S0615V0110D	100			
S0615V0111D	150			
S0615V0112D	200			
S0615V0113D	250			
S0615V0114D	300			
S0615V0115D	350			
S0615V0116D	400			
S0615V0117D	50	60	190	130
S0615V0118D	100			
S0615V0119D	150			
S0615V0120D	200			
S0615V0121D	250			
S0615V0122D	300			
S0615V0123D	350			
S0615V0124D	400			
S0615V0125D	50	80	230	150
S0615V0126D	100			
S0615V0127D	150			
S0615V0128D	200			
S0615V0129D	250			
S0615V0130D	300			
S0615V0131D	350			
S0615V0132D	400			

Ref.No.	F1 ( N )	L1 Stroke Strok	L2 Extended Lenght Açık Boy	L3 Closed Lenght Kapalı Boy
S0615V0133D	50	100	270	170
S0615V0134D	100			
S0615V0135D	150			
S0615V0136D	200			
S0615V0137D	250			
S0615V0138D	300			
S0615V0139D	350			
S0615V0140D	400			
S0615V0141D	50	120	310	190
S0615V0142D	100			
S0615V0143D	150			
S0615V0144D	200			
S0615V0145D	250			
S0615V0146D	300			
S0615V0147D	350			
S0615V0148D	400			
S0615V0149D	50	150	370	220
S0615V0150D	100			
S0615V0151D	150			
S0615V0152D	200			
S0615V0153D	250			
S0615V0154D	300			
S0615V0155D	350			

GAYSAN LIFT AMORTİSÖRÜ STANDARTLARI / GAYSAN GAS SPRING LIFT STANDARDS											
STROKE ŞTOK (mm)	25-50	51-100	101-150	151-200	201-250	251-300	301-350	351-400	401-450	451-500	501- →
DAMPENING FRENLEME (mm) 25	15	20	25	30	35	40	45	50	55	60	65
EXTENSION SPEED AÇILMA HIZI (mm/sn)	100-300										
ROD / TUBE END FITTINGS MİL / BORU BAĞLANTISI	GAYSAN END FITTING CATALOG / GAYSAN BAĞLANTI KATALOĞU										

Dimensions in mm / We reserve the right to make modifications. Ölçülerde değişiklik yapma hakkımız saklıdır.

## 06-15 VALVE LIFT



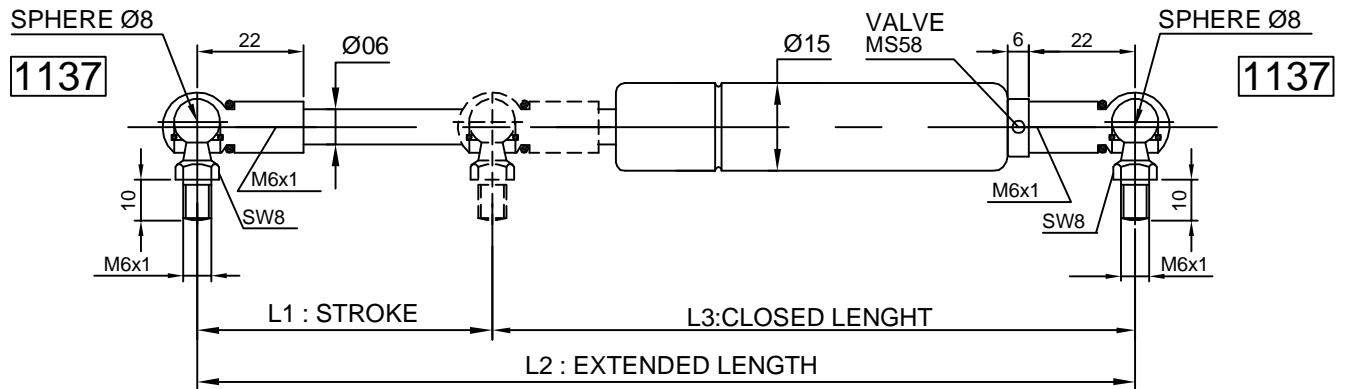
Ref.No.	F1 ( N )	L1 Stroke Strok	L2 Extended Lenght Açık Boy	L3 Closed Lenght Kapalı Boy
S0615V0001M	50	20	140	120
S0615V0002M	100			
S0615V0003M	150			
S0615V0004M	200			
S0615V0005M	250			
S0615V0006M	300			
S0615V0007M	350			
S0615V0008M	400			
S0615V0009M	50	40	180	140
S0615V0010M	100			
S0615V0011M	150			
S0615V0012M	200			
S0615V0013M	250			
S0615V0014M	300			
S0615V0015M	350			
S0615V0016M	400			
S0615V0017M	50	60	220	160
S0615V0018M	100			
S0615V0019M	150			
S0615V0020M	200			
S0615V0021M	250			
S0615V0022M	300			
S0615V0023M	350			
S0615V0024M	400			
S0615V0025M	50	80	260	180
S0615V0026M	100			
S0615V0027M	150			
S0615V0028M	200			
S0615V0029M	250			
S0615V0030M	300			
S0615V0031M	350			
S0615V0032M	400			

Ref.No.	F1 ( N )	L1 Stroke Strok	L2 Extended Lenght Açık Boy	L3 Closed Lenght Kapalı Boy
S0615V0033M	50	100	300	200
S0615V0034M	100			
S0615V0035M	150			
S0615V0036M	200			
S0615V0037M	250			
S0615V0038M	300			
S0615V0039M	350			
S0615V0040M	400			
S0615V0041M	50	120	340	220
S0615V0042M	100			
S0615V0043M	150			
S0615V0044M	200			
S0615V0045M	250			
S0615V0046M	300			
S0615V0047M	350			
S0615V0048M	400			
S0615V0049M	50	150	400	250
S0615V0050M	100			
S0615V0051M	150			
S0615V0052M	200			
S0615V0053M	250			
S0615V0054M	300			
S0615V0055M	350			

GAYSAN LIFT AMORTİSÖRÜ STANDARTLARI / GAYSAN GAS SPRING LIFT STANDARDS											
STROKE ŞTOK (mm)	25-50	51-100	101-150	151-200	201-250	251-300	301-350	351-400	401-450	451-500	501- →
DAMPENING FRENLEME (mm) 25	15	20	25	30	35	40	45	50	55	60	65
EXTENSION SPEED AÇILMA HIZI (mm/sn)	100-300										
ROD / TUBE END FITTINGS MİL / BORU BAĞLANTISI	GAYSAN END FITTING CATALOG / GAYSAN BAĞLANTI KATALOĞU										

Dimensions in mm / We reserve the right to make modifications. Ölçülerde değişiklik yapma hakkımız saklıdır.

## 06-15 VALVE LIFT



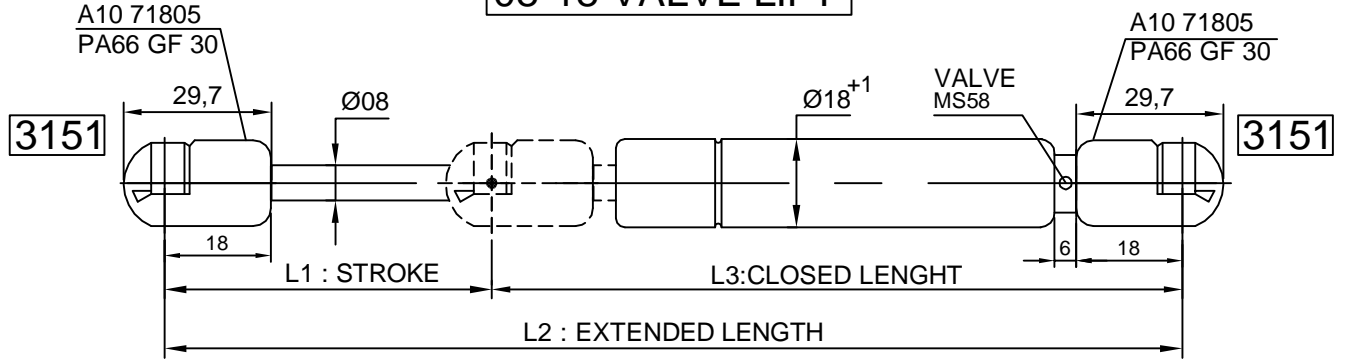
Ref.No.	F1 ( N )	L1 Stroke Strok	L2 Extended Lenght Açık Boy	L3 Closed Lenght Kapalı Boy
S0615V0101M	50	20	140	120
S0615V0102M	100			
S0615V0103M	150			
S0615V0104M	200			
S0615V0105M	250			
S0615V0106M	300			
S0615V0107M	350			
S0615V0108M	400			
S0615V0109M	50	40	180	140
S0615V0110M	100			
S0615V0111M	150			
S0615V0112M	200			
S0615V0113M	250			
S0615V0114M	300			
S0615V0115M	350			
S0615V0116M	400			
S0615V0117M	50	60	220	160
S0615V0118M	100			
S0615V0119M	150			
S0615V0120M	200			
S0615V0121M	250			
S0615V0122M	300			
S0615V0123M	350			
S0615V0124M	400			
S0615V0125M	50	80	260	180
S0615V0126M	100			
S0615V0127M	150			
S0615V0128M	200			
S0615V0129M	250			
S0615V0130M	300			
S0615V0131M	350			
S0615V0132M	400			

Ref.No.	F1 ( N )	L1 Stroke Strok	L2 Extended Lenght Açık Boy	L3 Closed Lenght Kapalı Boy
S0615V0133M	50	100	300	200
S0615V0134M	100			
S0615V0135M	150			
S0615V0136M	200			
S0615V0137M	250			
S0615V0138M	300			
S0615V0139M	350			
S0615V0140M	400			
S0615V0141M	50	120	340	220
S0615V0142M	100			
S0615V0143M	150			
S0615V0144M	200			
S0615V0145M	250			
S0615V0146M	300			
S0615V0147M	350			
S0615V0148M	400			
S0615V0149M	50	150	400	250
S0615V0150M	100			
S0615V0151M	150			
S0615V0152M	200			
S0615V0153M	250			
S0615V0154M	300			
S0615V0155M	350			

GAYSAN LIFT AMORTİSÖRÜ STANDARTLARI / GAYSAN GAS SPRING LIFT STANDARDS											
STROKE STROK (mm)	25-50	51-100	101-150	151-200	201-250	251-300	301-350	351-400	401-450	451-500	501- →
DAMPENING FRENLEME (mm) 25	15	20	25	30	35	40	45	50	55	60	65
EXTENSION SPEED AÇILMA HIZI (mm/sn)	100-300										
ROD / TUBE END FITTINGS MİL / BORU BAĞLANTISI	GAYSAN END FITTING CATALOG / GAYSAN BAĞLANTI KATALOĞU										

Dimensions in mm / We reserve the right to make modifications. Ölçülerde değişiklik yapma hakkımız saklıdır.

## 08-18 VALVE LIFT



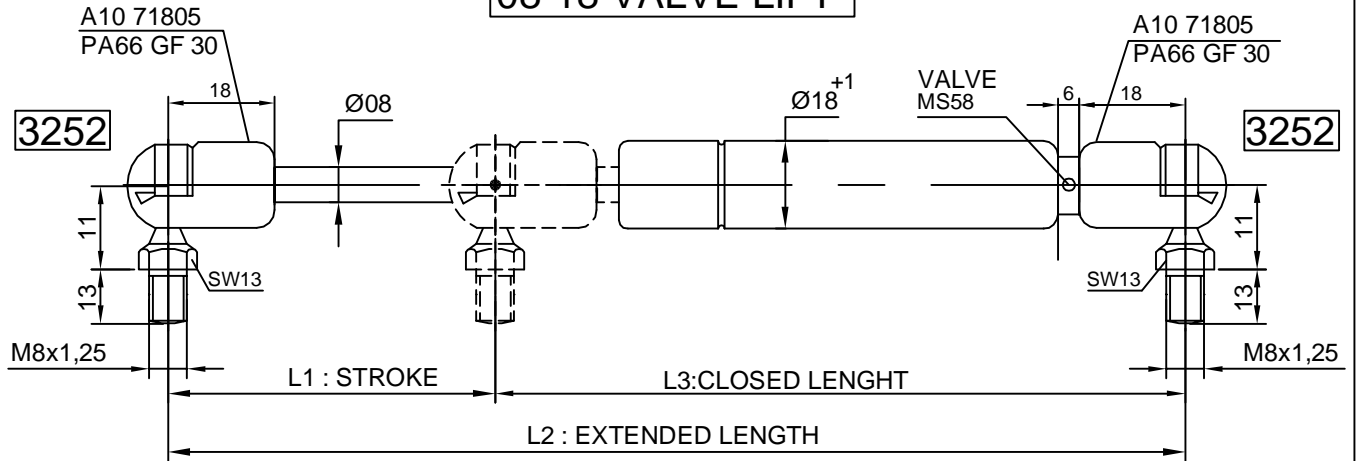
Ref.No.	F1 (N)	L1 Stroke Strok	L2 Extended Length Açık Boy	L3 Closed Length Kapalı Boy			
S0818V0001P	400	60	215	155			
S0818V0002P	500						
S0818V0003P	600						
S0818V0004P	700						
S0818V0005P	400	80	255	175			
S0818V0006P	500						
S0818V0007P	600						
S0818V0008P	700	100	295	195			
S0818V0009P	400						
S0818V0010P	500						
S0818V0011P	600						
S0818V0012P	700	120	335	215			
S0818V0013P	400						
S0818V0014P	500						
S0818V0015P	600						
S0818V0016P	700	140	375	235			
S0818V0017P	300						
S0818V0018P	400						
S0818V0019P	500						
S0818V0020P	600	160	415	255			
S0818V0021P	700						
S0818V0022P	100						
S0818V0023P	150						
S0818V0024P	200						
S0818V0025P	250						
S0818V0026P	300						
S0818V0027P	350						
S0818V0028P	400						
S0818V0029P	450						
S0818V0030P	500						
S0818V0031P	600						
S0818V0032P	700						
S0818V0033P	100				180	455	275
S0818V0034P	150						
S0818V0035P	200						
S0818V0036P	250						
S0818V0037P	300						
S0818V0038P	350						

Ref.No.	F1 (N)	L1 Stroke Strok	L2 Extended Length Açık Boy	L3 Closed Length Kapalı Boy
S0818V0039P	400	180	455	275
S0818V0040P	450			
S0818V0041P	500			
S0818V0042P	600			
S0818V0043P	700	200	495	295
S0818V0044P	100			
S0818V0045P	150			
S0818V0046P	200			
S0818V0047P	250			
S0818V0048P	300			
S0818V0049P	350			
S0818V0050P	400			
S0818V0051P	450			
S0818V0052P	500			
S0818V0053P	600			
S0818V0054P	700			
S0818V0055P	100			
S0818V0056P	150			
S0818V0057P	200			
S0818V0058P	250			
S0818V0059P	300			
S0818V0060P	350			
S0818V0061P	400			
S0818V0062P	450			
S0818V0063P	500			
S0818V0064P	600			
S0818V0065P	700	250	595	345
S0818V0066P	100			
S0818V0067P	150			
S0818V0068P	200			
S0818V0069P	250			
S0818V0070P	300			
S0818V0071P	350			
S0818V0072P	400			
S0818V0073P	450			
S0818V0074P	500			

GAYSAN LIFT AMORTİSÖRÜ STANDARTLARI / GAYSAN GAS SPRING LIFT STANDARDS											
STROKE STROK (mm)	25-50	51-100	101-150	151-200	201-250	251-300	301-350	351-400	401-450	451-500	501- →
DAMPENING FRENLEME (mm) ±5	15	20	25	30	35	40	45	50	55	60	65
EXTENSION SPEED AÇILMA HIZI (mm/sn)	100-300										
ROD / TUBE END FITTINGS MİL / BORU BAĞLANTISI	GAYSAN END FITTING CATALOG / GAYSAN BAĞLANTI KATALOĞU										

Dimensions in mm / We reserve the right to make modifications. Ölçülerde değişiklik yapma hakkımız saklıdır.

## 08-18 VALVE LIFT



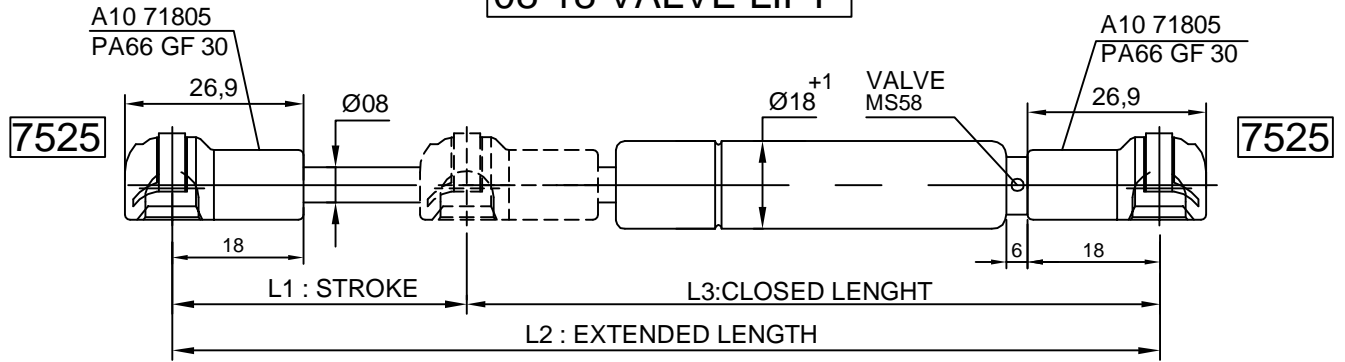
Ref.No.	F1 ( N )	L1 Stroke Strok	L2 Extended Length Açık Boy	L3 Closed Length Kapalı Boy
S0818V0101P	400	60	215	155
S0818V0102P	500			
S0818V0103P	600			
S0818V0104P	700			
S0818V0105P	400			
S0818V0106P	500	80	255	175
S0818V0107P	600			
S0818V0108P	700			
S0818V0109P	400	100	295	195
S0818V0110P	500			
S0818V0111P	600			
S0818V0112P	700			
S0818V0113P	400			
S0818V0114P	500	120	335	215
S0818V0115P	600			
S0818V0116P	700			
S0818V0117P	300	140	375	235
S0818V0118P	400			
S0818V0119P	500			
S0818V0120P	600			
S0818V0121P	700			
S0818V0122P	100	160	415	255
S0818V0123P	150			
S0818V0124P	200			
S0818V0125P	250			
S0818V0126P	300			
S0818V0127P	350			
S0818V0128P	400			
S0818V0129P	450			
S0818V0130P	500			
S0818V0131P	600			
S0818V0132P	700	180	455	275
S0818V0133P	100			
S0818V0134P	150			
S0818V0135P	200			
S0818V0136P	250			
S0818V0137P	300			
S0818V0138P	350			

Ref.No.	F1 ( N )	L1 Stroke Strok	L2 Extended Length Açık Boy	L3 Closed Length Kapalı Boy
S0818V0139P	400	180	455	275
S0818V0140P	450			
S0818V0141P	500			
S0818V0142P	600			
S0818V0143P	700			
S0818V0144P	100	200	495	295
S0818V0145P	150			
S0818V0146P	200			
S0818V0147P	250			
S0818V0148P	300			
S0818V0149P	350			
S0818V0150P	400			
S0818V0151P	450			
S0818V0152P	500			
S0818V0153P	600			
S0818V0154P	700	220	535	315
S0818V0155P	100			
S0818V0156P	150			
S0818V0157P	200			
S0818V0158P	250			
S0818V0159P	300			
S0818V0160P	350			
S0818V0161P	400			
S0818V0162P	450			
S0818V0163P	500			
S0818V0164P	600	250	595	345
S0818V0165P	700			
S0818V0166P	100			
S0818V0167P	150			
S0818V0168P	200			
S0818V0169P	250			
S0818V0170P	300			
S0818V0171P	350			
S0818V0172P	400			
S0818V0173P	450			
S0818V0174P	500			

GAYSAN LIFT AMORTİSÖRÜ STANDARTLARI / GAYSAN GAS SPRING LIFT STANDARDS											
STROKE STROK (mm)	25-50	51-100	101-150	151-200	201-250	251-300	301-350	351-400	401-450	451-500	501- →
DAMPENING FRENLEME (mm) 25	15	20	25	30	35	40	45	50	55	60	65
EXTENSION SPEED AÇILMA HIZI (mm/sn)	100-300										
ROD / TUBE END FITTINGS MİL / BORU BAĞLANTISI	GAYSAN END FITTING CATALOG / GAYSAN BAĞLANTI KATALOĞU										

Dimensions in mm / We reserve the right to make modifications. Ölçülerde değişiklik yapma hakkımız saklıdır.

## 08-18 VALVE LIFT



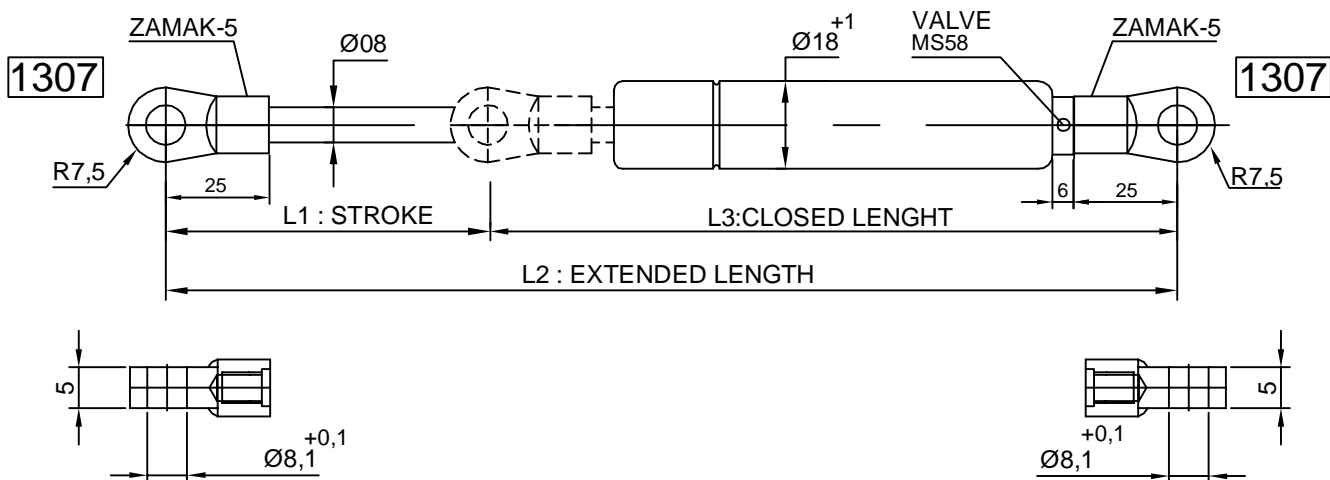
Ref.No.	F1 ( N )	L1 Stroke Strok	L2 Extended Lenght Açık Boy	L3 Closed Lenght Kapalı Boy
S0818V0201P	400	60	215	155
S0818V0202P	500			
S0818V0203P	600			
S0818V0204P	700	80	255	175
S0818V0205P	400			
S0818V0206P	500			
S0818V0207P	600	100	295	195
S0818V0208P	700			
S0818V0209P	400			
S0818V0210P	500	120	335	215
S0818V0211P	600			
S0818V0212P	700			
S0818V0213P	400	140	375	235
S0818V0214P	500			
S0818V0215P	600			
S0818V0216P	700	160	415	255
S0818V0217P	300			
S0818V0218P	400			
S0818V0219P	500	180	455	275
S0818V0220P	600			
S0818V0221P	700			
S0818V0222P	100	250	595	345
S0818V0223P	150			
S0818V0224P	200			
S0818V0225P	250	250	595	345
S0818V0226P	300			
S0818V0227P	350			
S0818V0228P	400	250	595	345
S0818V0229P	450			
S0818V0230P	500			
S0818V0231P	600	250	595	345
S0818V0232P	700			
S0818V0233P	100			
S0818V0234P	150	250	595	345
S0818V0235P	200			
S0818V0236P	250			
S0818V0237P	300	250	595	345
S0818V0238P	350			

Ref.No.	F1 ( N )	L1 Stroke Strok	L2 Extended Lenght Açık Boy	L3 Closed Lenght Kapalı Boy
S0818V0239P	400	180	455	275
S0818V0240P	450			
S0818V0241P	500			
S0818V0242P	600	200	495	295
S0818V0243P	700			
S0818V0244P	100			
S0818V0245P	150	220	535	315
S0818V0246P	200			
S0818V0247P	250			
S0818V0248P	300	250	595	345
S0818V0249P	350			
S0818V0250P	400			
S0818V0251P	450	250	595	345
S0818V0252P	500			
S0818V0253P	600			
S0818V0254P	700	250	595	345
S0818V0255P	100			
S0818V0256P	150			
S0818V0257P	200	250	595	345
S0818V0258P	250			
S0818V0259P	300			
S0818V0260P	350	250	595	345
S0818V0261P	400			
S0818V0262P	450			
S0818V0263P	500	250	595	345
S0818V0264P	600			
S0818V0265P	700			
S0818V0266P	100	250	595	345
S0818V0267P	150			
S0818V0268P	200			
S0818V0269P	250	250	595	345
S0818V0270P	300			
S0818V0271P	350			
S0818V0272P	400	250	595	345
S0818V0273P	450			
S0818V0274P	500			

GAYSAN LIFT AMORTİSÖRÜ STANDARTLARI / GAYSAN GAS SPRING LIFT STANDARDS											
STROKE STROK (mm)	25-50	51-100	101-150	151-200	201-250	251-300	301-350	351-400	401-450	451-500	501- →
DAMPENING FRENLEME (mm) ±5	15	20	25	30	35	40	45	50	55	60	65
EXTENSION SPEED AÇILMA HIZI (mm/sn)	100-300										
ROD / TUBE END FITTINGS MİL / BORU BAĞLANTISI	GAYSAN END FITTING CATALOG / GAYSAN BAĞLANTI KATALOĞU										

Dimensions in mm / We reserve the right to make modifications. Ölçülerde değişiklik yapma hakkımız saklıdır.

## 08-18 VALVE LIFT



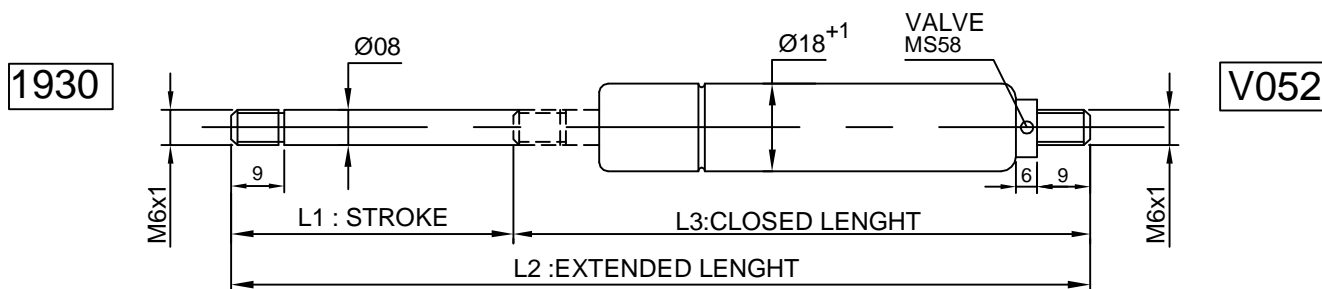
Ref.No.	F1 ( N )	L1 Stroke Strok	L2 Extended Lenght Açık Boy	L3 Closed Lenght Kapalı Boy
S0818V0001Z	500	60	230	170
S0818V0002Z	600			
S0818V0003Z	500	80	270	190
S0818V0004Z	600			
S0818V0005Z	500	100	310	210
S0818V0006Z	600			
S0818V0007Z	500	120	350	230
S0818V0008Z	600			
S0818V0009Z	400	140	390	250
S0818V0010Z	500			
S0818V0011Z	600	160	430	270
S0818V0012Z	100			
S0818V0013Z	150			
S0818V0014Z	200			
S0818V0015Z	250			
S0818V0016Z	300			
S0818V0017Z	350			
S0818V0018Z	400			
S0818V0019Z	500			
S0818V0020Z	600			
S0818V0021Z	100	180	470	290
S0818V0022Z	150			
S0818V0023Z	200			
S0818V0024Z	250			
S0818V0025Z	300			
S0818V0026Z	350			
S0818V0027Z	400			
S0818V0028Z	500			
S0818V0029Z	600			

Ref.No.	F1 ( N )	L1 Stroke Strok	L2 Extended Lenght Açık Boy	L3 Closed Lenght Kapalı Boy
S0818V0030Z	100	200	510	310
S0818V0031Z	150			
S0818V0032Z	200			
S0818V0033Z	250			
S0818V0034Z	300			
S0818V0035Z	350			
S0818V0036Z	400	220	550	330
S0818V0037Z	500			
S0818V0038Z	600			
S0818V0039Z	100			
S0818V0040Z	150			
S0818V0041Z	200			
S0818V0042Z	250			
S0818V0043Z	300			
S0818V0044Z	350			
S0818V0045Z	400			
S0818V0046Z	500	250	610	360
S0818V0047Z	600			
S0818V0048Z	100			
S0818V0049Z	150			
S0818V0050Z	200			
S0818V0051Z	250			
S0818V0052Z	300			
S0818V0053Z	350			
S0818V0054Z	400			
S0818V0055Z	500			

GAYSAN LIFT AMORTİSÖRÜ STANDARTLARI / GAYSAN GAS SPRING LIFT STANDARDS											
STROKE STROK (mm)	25-50	51-100	101-150	151-200	201-250	251-300	301-350	351-400	401-450	451-500	501- →
DAMPENING FRENLEME (mm) 25	15	20	25	30	35	40	45	50	55	60	65
EXTENSION SPEED AÇILMA HIZI (mm/sn)	100-300										
ROD / TUBE END FITTINGS MİL / BORU BAĞLANTISI	GAYSAN END FITTING CATALOG / GAYSAN BAĞLANTI KATALOĞU										

Dimensions in mm / We reserve the right to make modifications. Ölçülerde değişiklik yapma hakkımız saklıdır.

## 08-18 VALVE LIFT



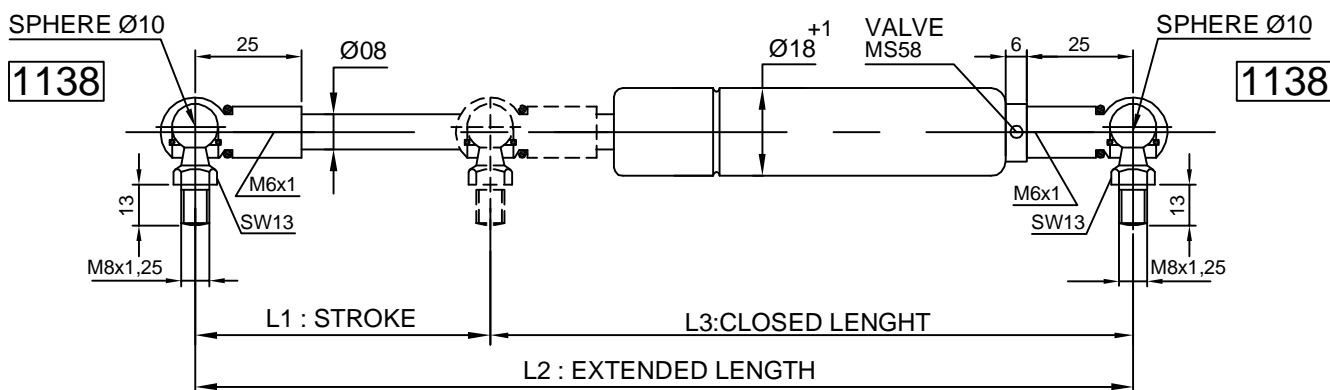
Ref.No.	F1 ( N )	L1 Stroke Strok	L2 Extended Length Açık Boy	L3 Closed Length Kapalı Boy
S0818V0001D	400	60	200	140
S0818V0002D	500			
S0818V0003D	600			
S0818V0004D	700			
S0818V0005D	400	80	240	160
S0818V0006D	500			
S0818V0007D	600			
S0818V0008D	700			
S0818V0009D	400	100	280	180
S0818V0010D	500			
S0818V0011D	600			
S0818V0012D	700			
S0818V0013D	400	120	320	200
S0818V0014D	500			
S0818V0015D	600			
S0818V0016D	700			
S0818V0017D	300	140	360	220
S0818V0018D	400			
S0818V0019D	500			
S0818V0020D	600			
S0818V0021D	700	160	400	240
S0818V0022D	100			
S0818V0023D	150			
S0818V0024D	200			
S0818V0025D	250	180	440	260
S0818V0026D	300			
S0818V0027D	350			
S0818V0028D	400			
S0818V0029D	450	100	240	160
S0818V0030D	500			
S0818V0031D	600			
S0818V0032D	700			
S0818V0033D	100	180	440	260
S0818V0034D	150			
S0818V0035D	200			
S0818V0036D	250			
S0818V0037D	300	350		
S0818V0038D	350			

Ref.No.	F1 ( N )	L1 Stroke Strok	L2 Extended Length Açık Boy	L3 Closed Length Kapalı Boy
S0818V0039D	400	180	440	260
S0818V0040D	450			
S0818V0041D	500			
S0818V0042D	600			
S0818V0043D	700	200	480	280
S0818V0044D	100			
S0818V0045D	150			
S0818V0046D	200			
S0818V0047D	250	220	520	300
S0818V0048D	300			
S0818V0049D	350			
S0818V0050D	400			
S0818V0051D	450	250	580	330
S0818V0052D	500			
S0818V0053D	600			
S0818V0054D	700			
S0818V0055D	100	100	240	160
S0818V0056D	150			
S0818V0057D	200			
S0818V0058D	250			
S0818V0059D	300	180	440	260
S0818V0060D	350			
S0818V0061D	400			
S0818V0062D	450			
S0818V0063D	500	100	240	160
S0818V0064D	600			
S0818V0065D	700			
S0818V0066D	100			
S0818V0067D	150	180	440	260
S0818V0068D	200			
S0818V0069D	250			
S0818V0070D	300			
S0818V0071D	350	100	240	160
S0818V0072D	400			
S0818V0073D	450			
S0818V0074D	500			

GAYSAN LIFT AMORTİSÖRÜ STANDARTLARI / GAYSAN GAS SPRING LIFT STANDARDS											
STROKE STROK (mm)	25-50	51-100	101-150	151-200	201-250	251-300	301-350	351-400	401-450	451-500	501- →
DAMPENING FRENLEME (mm) 25	15	20	25	30	35	40	45	50	55	60	65
EXTENSION SPEED AÇILMA HIZI (mm/sn)	100-300										
ROD / TUBE END FITTINGS MİL / BORU BAĞLANTISI	GAYSAN END FITTING CATALOG / GAYSAN BAĞLANTI KATALOĞU										

Dimensions in mm / We reserve the right to make modifications. Ölçülerde değişiklik yapma hakkımız saklıdır.

## 08-18 VALVE LIFT



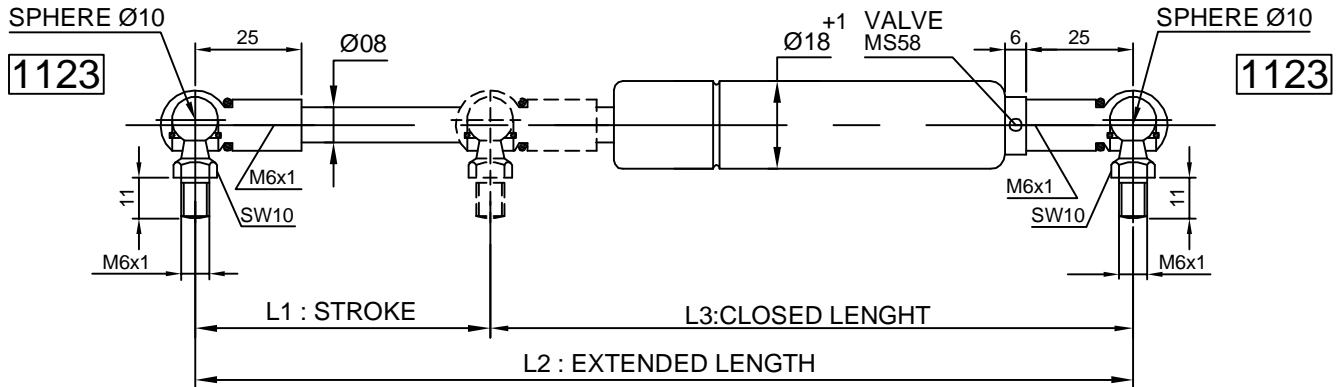
Ref.No.	F1 ( N )	L1 Stroke Strok	L2 Extended Lenght Açık Boy	L3 Closed Lenght Kapalı Boy			
S0818V0001M	500	60	230	170			
S0818V0002M	600						
S0818V0003M	500	80	270	190			
S0818V0004M	600						
S0818V0005M	500	100	310	210			
S0818V0006M	600						
S0818V0007M	500	120	350	230			
S0818V0008M	600						
S0818V0009M	400	140	390	250			
S0818V0010M	500						
S0818V0011M	600	160	430	270			
S0818V0012M	100						
S0818V0013M	150						
S0818V0014M	200						
S0818V0015M	250						
S0818V0016M	300						
S0818V0017M	350						
S0818V0018M	400						
S0818V0019M	500						
S0818V0020M	600						
S0818V0021M	100				180	470	290
S0818V0022M	150						
S0818V0023M	200						
S0818V0024M	250						
S0818V0025M	300						
S0818V0026M	350						
S0818V0027M	400						
S0818V0028M	500						
S0818V0029M	600						

Ref.No.	F1 ( N )	L1 Stroke Strok	L2 Extended Lenght Açık Boy	L3 Closed Lenght Kapalı Boy
S0818V0030M	100	200	510	310
S0818V0031M	150			
S0818V0032M	200			
S0818V0033M	250			
S0818V0034M	300			
S0818V0035M	350			
S0818V0036M	400			
S0818V0037M	500	220	550	330
S0818V0038M	600			
S0818V0039M	100			
S0818V0040M	150			
S0818V0041M	200			
S0818V0042M	250			
S0818V0043M	300			
S0818V0044M	350			
S0818V0045M	400			
S0818V0046M	500			
S0818V0047M	600	250	610	360
S0818V0048M	100			
S0818V0049M	150			
S0818V0050M	200			
S0818V0051M	250			
S0818V0052M	300			
S0818V0053M	350			
S0818V0054M	400			
S0818V0055M	500			

GAYSAN LIFT AMORTİSÖRÜ STANDARTLARI / GAYSAN GAS SPRING LIFT STANDARDS											
STROKE STROK (mm)	25-50	51-100	101-150	151-200	201-250	251-300	301-350	351-400	401-450	451-500	501- →
DAMPENING FRENLEME (mm) 25	15	20	25	30	35	40	45	50	55	60	65
EXTENSION SPEED AÇILMA HIZI (mm/sn)	100-300										
ROD / TUBE END FITTINGS MİL / BORU BAĞLANTISI	GAYSAN END FITTING CATALOG / GAYSAN BAĞLANTI KATALOĞU										

Dimensions in mm / We reserve the right to make modifications. Ölçülerde değişiklik yapma hakkımız saklıdır.

## 08-18 VALVE LIFT



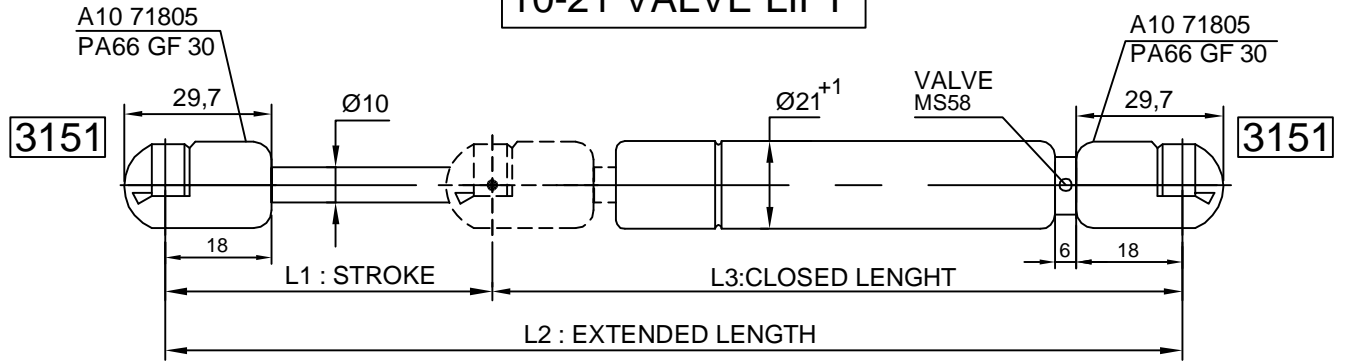
Ref.No.	F1 ( N )	L1 Stroke Strok	L2 Extended Lenght Açık Boy	L3 Closed Lenght Kapalı Boy			
S0818V0101M	500	60	230	170			
S0818V0102M	600						
S0818V0103M	500	80	270	190			
S0818V0104M	600						
S0818V0105M	500	100	310	210			
S0818V0106M	600						
S0818V0107M	500	120	350	230			
S0818V0108M	600						
S0818V0109M	400	140	390	250			
S0818V0110M	500						
S0818V0111M	600	160	430	270			
S0818V0112M	100						
S0818V0113M	150						
S0818V0114M	200						
S0818V0115M	250						
S0818V0116M	300						
S0818V0117M	350						
S0818V0118M	400						
S0818V0119M	500						
S0818V0120M	600						
S0818V0121M	100				180	470	290
S0818V0122M	150						
S0818V0123M	200						
S0818V0124M	250						
S0818V0125M	300						
S0818V0126M	350						
S0818V0127M	400						
S0818V0128M	500						
S0818V0129M	600						

Ref.No.	F1 ( N )	L1 Stroke Strok	L2 Extended Lenght Açık Boy	L3 Closed Lenght Kapalı Boy
S0818V0130M	100	200	510	310
S0818V0131M	150			
S0818V0132M	200			
S0818V0133M	250			
S0818V0134M	300			
S0818V0135M	350			
S0818V0136M	400			
S0818V0137M	500			
S0818V0138M	600	220	550	330
S0818V0139M	100			
S0818V0140M	150			
S0818V0141M	200			
S0818V0142M	250			
S0818V0143M	300			
S0818V0144M	350			
S0818V0145M	400			
S0818V0146M	500	250	610	360
S0818V0147M	600			
S0818V0148M	100			
S0818V0149M	150			
S0818V0150M	200			
S0818V0151M	250			
S0818V0152M	300			
S0818V0153M	350			
S0818V0154M	400			
S0818V0155M	500			

GAYSAN LIFT AMORTİSÖRÜ STANDARTLARI / GAYSAN GAS SPRING LIFT STANDARDS											
STROKE STROK (mm)	25-50	51-100	101-150	151-200	201-250	251-300	301-350	351-400	401-450	451-500	501- →
DAMPENING FRENLEME (mm) 25	15	20	25	30	35	40	45	50	55	60	65
EXTENSION SPEED AÇILMA HIZI (mm/sn)	100-300										
ROD / TUBE END FITTINGS MİL / BORU BAĞLANTISI	GAYSAN END FITTING CATALOG / GAYSAN BAĞLANTI KATALOĞU										

Dimensions in mm / We reserve the right to make modifications. Ölçülerde değişiklik yapma hakkımız saklıdır.

## 10-21 VALVE LIFT



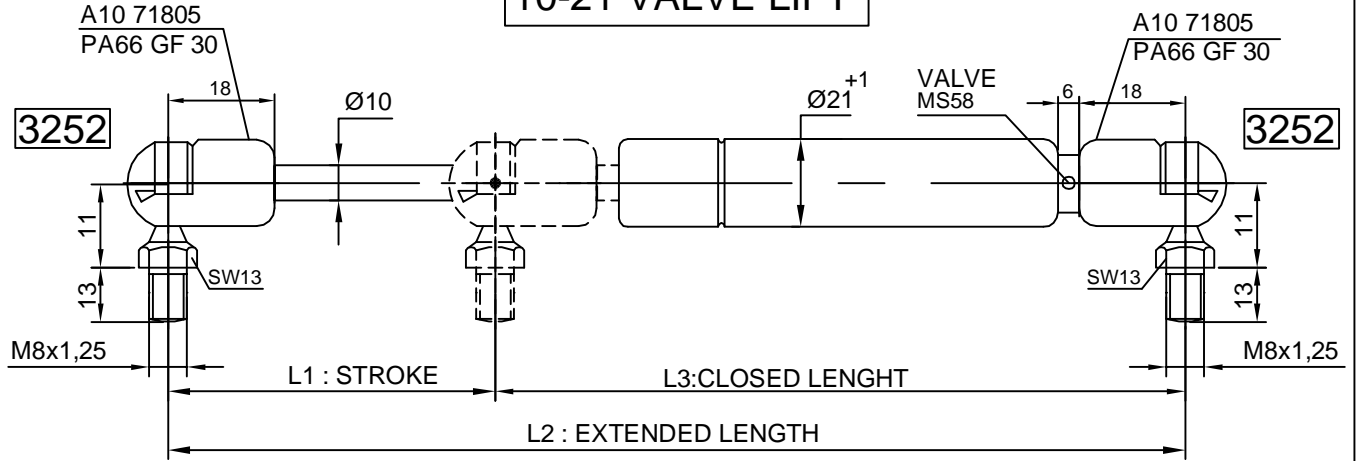
Ref.No.	F1 ( N )	L1 Stroke Strok	L2 Extended Lenght Açık Boy	L3 Closed Lenght Kapalı Boy
S1021V0001P	900	100	295	195
S1021V0002P	1000			
S1021V0003P	1150			
S1021V0004P	900	150	395	245
S1021V0005P	1000			
S1021V0006P	1150			
S1021V0007P	900	200	495	295
S1021V0008P	1000			
S1021V0009P	1150			
S1021V0010P	900	250	595	345
S1021V0011P	1000			
S1021V0012P	1150			
S1021V0013P	150	300	710	410
S1021V0014P	200			
S1021V0015P	250			
S1021V0016P	300			
S1021V0017P	350			
S1021V0018P	400			
S1021V0019P	500			
S1021V0020P	600			
S1021V0021P	700			
S1021V0022P	800			
S1021V0023P	900			
S1021V0024P	1000			
S1021V0025P	1150			

Ref.No.	F1 ( N )	L1 Stroke Strok	L2 Extended Lenght Açık Boy	L3 Closed Lenght Kapalı Boy
S1021V0026P	150	350	810	460
S1021V0027P	200			
S1021V0028P	250			
S1021V0029P	300			
S1021V0030P	350			
S1021V0031P	400			
S1021V0032P	500			
S1021V0033P	600			
S1021V0034P	700			
S1021V0035P	800			
S1021V0036P	900			
S1021V0037P	1000	400	910	510
S1021V0038P	1150			
S1021V0039P	150			
S1021V0040P	200			
S1021V0041P	250			
S1021V0042P	300			
S1021V0043P	350			
S1021V0044P	400			
S1021V0045P	500			
S1021V0046P	600			
S1021V0047P	700			
S1021V0048P	800			
S1021V0049P	900			
S1021V0050P	1000			

GAYSAN LIFT AMORTİSÖRÜ STANDARTLARI / GAYSAN GAS SPRING LIFT STANDARDS											
STROKE STROK (mm)	25-50	51-100	101-150	151-200	201-250	251-300	301-350	351-400	401-450	451-500	501- →
DAMPENING FRENLEME (mm) 25	15	20	25	30	35	40	45	50	55	60	65
EXTENSION SPEED AÇILMA HIZI (mm/sn)	100-300										
ROD / TUBE END FITTINGS MİL / BORU BAĞLANTISI	GAYSAN END FITTING CATALOG / GAYSAN BAĞLANTI KATALOĞU										

Dimensions in mm / We reserve the right to make modifications. Ölçülerde değişiklik yapma hakkımız saklıdır.

## 10-21 VALVE LIFT



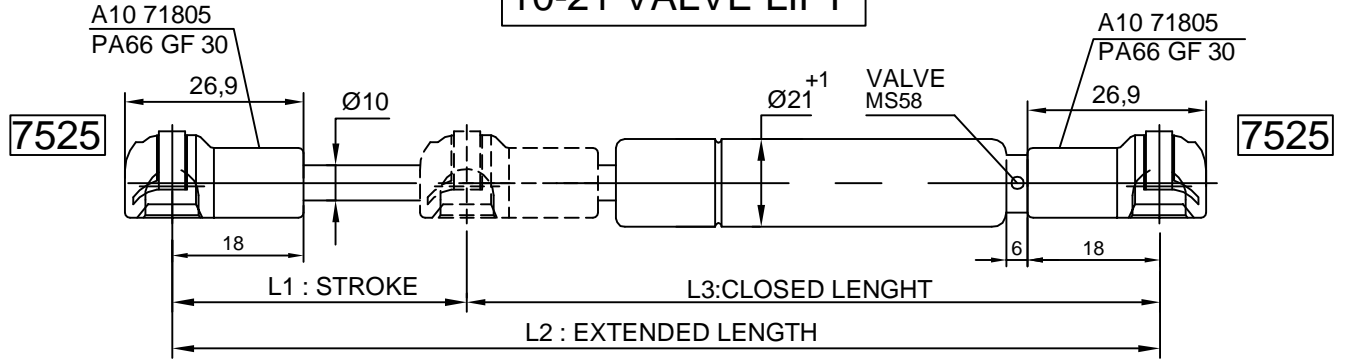
Ref.No.	F1 ( N )	L1 Stroke Strok	L2 Extended Length Açık Boy	L3 Closed Length Kapalı Boy
S1021V0101P	900	100	295	195
S1021V0102P	1000			
S1021V0103P	1150			
S1021V0104P	900	150	395	245
S1021V0105P	1000			
S1021V0106P	1150			
S1021V0107P	900	200	495	295
S1021V0108P	1000			
S1021V0109P	1150			
S1021V0110P	900	250	595	345
S1021V0111P	1000			
S1021V0112P	1150			
S1021V0113P	150	300	710	410
S1021V0114P	200			
S1021V0115P	250			
S1021V0116P	300			
S1021V0117P	350			
S1021V0118P	400			
S1021V0119P	500			
S1021V0120P	600			
S1021V0121P	700			
S1021V0122P	800			
S1021V0123P	900			
S1021V0124P	1000			
S1021V0125P	1150			

Ref.No.	F1 ( N )	L1 Stroke Strok	L2 Extended Length Açık Boy	L3 Closed Length Kapalı Boy
S1021V0126P	150	350	810	460
S1021V0127P	200			
S1021V0128P	250			
S1021V0129P	300			
S1021V0130P	350			
S1021V0131P	400			
S1021V0132P	500			
S1021V0133P	600			
S1021V0134P	700			
S1021V0135P	800			
S1021V0136P	900			
S1021V0137P	1000			
S1021V0138P	1150	400	910	510
S1021V0139P	150			
S1021V0140P	200			
S1021V0141P	250			
S1021V0142P	300			
S1021V0143P	350			
S1021V0144P	400			
S1021V0145P	500			
S1021V0146P	600			
S1021V0147P	700			
S1021V0148P	800			
S1021V0149P	900			
S1021V0150P	1000			

GAYSAN LIFT AMORTİSÖRÜ STANDARTLARI / GAYSAN GAS SPRING LIFT STANDARDS											
STROKE STROK (mm)	25-50	51-100	101-150	151-200	201-250	251-300	301-350	351-400	401-450	451-500	501- →
DAMPENING FRENLEME (mm) 25	15	20	25	30	35	40	45	50	55	60	65
EXTENSION SPEED AÇILMA HIZI (mm/sn)	100-300										
ROD / TUBE END FITTINGS MİL / BORU BAĞLANTISI	GAYSAN END FITTING CATALOG / GAYSAN BAĞLANTI KATALOĞU										

Dimensions in mm / We reserve the right to make modifications. Ölçülerde değişiklik yapma hakkımız saklıdır.

## 10-21 VALVE LIFT



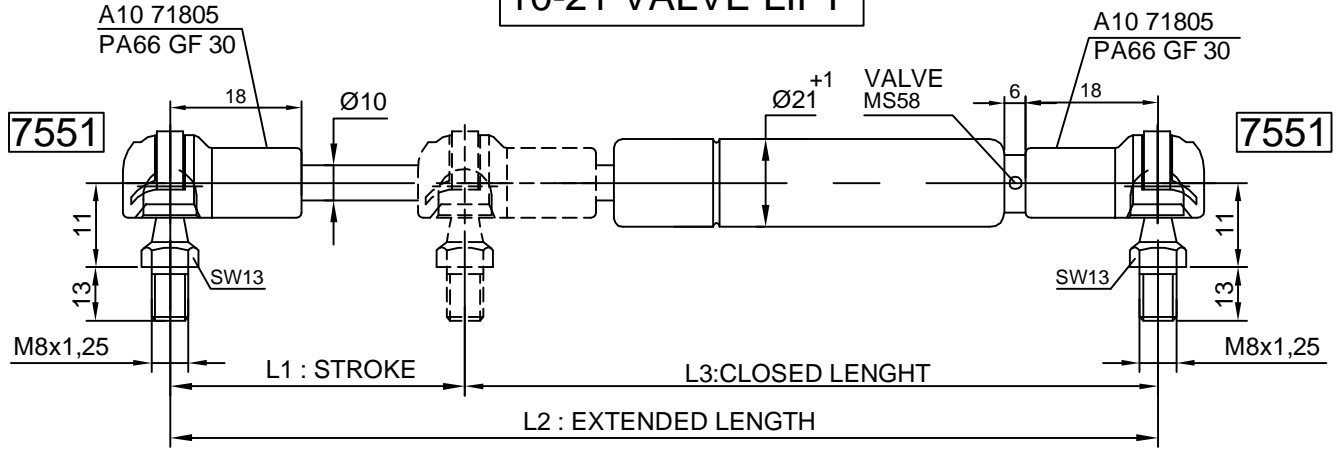
Ref.No.	F1 ( N )	L1 Stroke Strok	L2 Extended Length Açık Boy	L3 Closed Length Kapalı Boy
S1021V0201P	900	100	295	195
S1021V0202P	1000			
S1021V0203P	1150			
S1021V0204P	900	150	395	245
S1021V0205P	1000			
S1021V0206P	1150			
S1021V0207P	900	200	495	295
S1021V0208P	1000			
S1021V0209P	1150			
S1021V0210P	900	250	595	345
S1021V0211P	1000			
S1021V0212P	1150			
S1021V0213P	150	300	710	410
S1021V0214P	200			
S1021V0215P	250			
S1021V0216P	300			
S1021V0217P	350			
S1021V0218P	400			
S1021V0219P	500			
S1021V0220P	600			
S1021V0221P	700			
S1021V0222P	800			
S1021V0223P	900			
S1021V0224P	1000			
S1021V0225P	1150			

Ref.No.	F1 ( N )	L1 Stroke Strok	L2 Extended Length Açık Boy	L3 Closed Length Kapalı Boy
S1021V0226P	150	350	810	460
S1021V0227P	200			
S1021V0228P	250			
S1021V0229P	300			
S1021V0230P	350			
S1021V0231P	400			
S1021V0232P	500			
S1021V0233P	600			
S1021V0234P	700			
S1021V0235P	800			
S1021V0236P	900			
S1021V0237P	1000	400	910	510
S1021V0238P	1150			
S1021V0239P	150			
S1021V0240P	200			
S1021V0241P	250			
S1021V0242P	300			
S1021V0243P	350			
S1021V0244P	400			
S1021V0245P	500			
S1021V0246P	600			
S1021V0247P	700			
S1021V0248P	800			
S1021V0249P	900			
S1021V0250P	1000			

GAYSAN LIFT AMORTİSÖRÜ STANDARTLARI / GAYSAN GAS SPRING LIFT STANDARDS											
STROKE STROK (mm)	25-50	51-100	101-150	151-200	201-250	251-300	301-350	351-400	401-450	451-500	501- →
DAMPENING FRENLEME (mm) 25	15	20	25	30	35	40	45	50	55	60	65
EXTENSION SPEED AÇILMA HIZI (mm/sn)	100-300										
ROD / TUBE END FITTINGS MİL / BORU BAĞLANTISI	GAYSAN END FITTING CATALOG / GAYSAN BAĞLANTI KATALOĞU										

Dimensions in mm / We reserve the right to make modifications. Ölçülerde değişiklik yapma hakkımız saklıdır.

## 10-21 VALVE LIFT



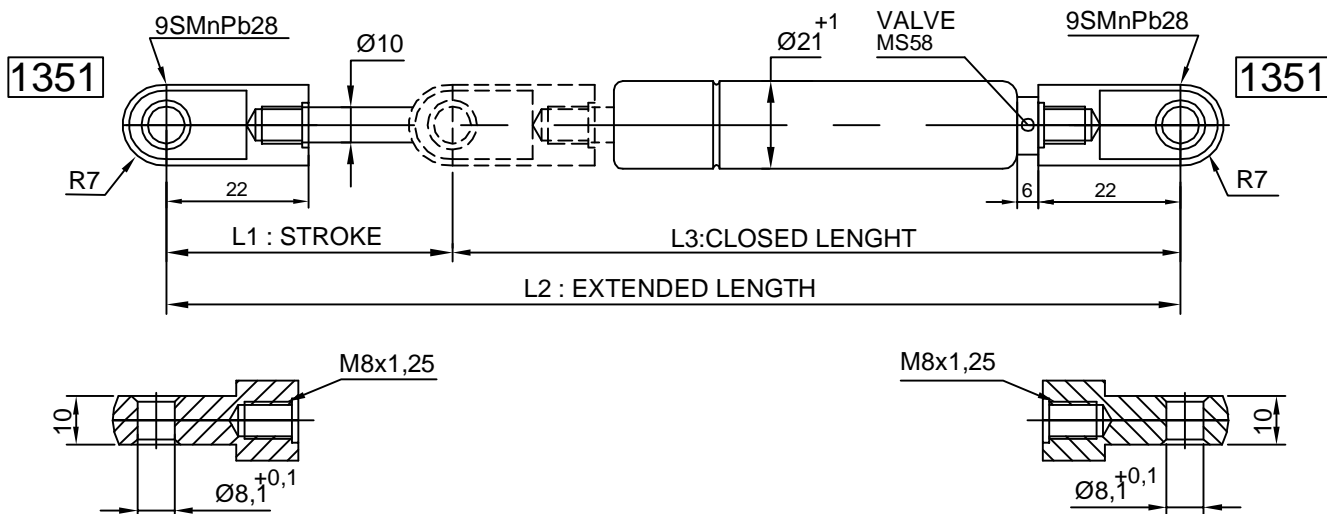
Ref.No.	F1 ( N )	L1 Stroke Strok	L2 Extended Length Açık Boy	L3 Closed Length Kapalı Boy
S1021V0301P	900	100	295	195
S1021V0302P	1000			
S1021V0303P	1150			
S1021V0304P	900	150	395	245
S1021V0305P	1000			
S1021V0306P	1150			
S1021V0307P	900	200	495	295
S1021V0308P	1000			
S1021V0309P	1150			
S1021V0310P	900	250	595	345
S1021V0311P	1000			
S1021V0312P	1150			
S1021V0313P	150	300	710	410
S1021V0314P	200			
S1021V0315P	250			
S1021V0316P	300			
S1021V0317P	350			
S1021V0318P	400			
S1021V0319P	500			
S1021V0320P	600			
S1021V0321P	700			
S1021V0322P	800			
S1021V0323P	900			
S1021V0324P	1000			
S1021V0325P	1150			

Ref.No.	F1 ( N )	L1 Stroke Strok	L2 Extended Length Açık Boy	L3 Closed Length Kapalı Boy
S1021V0326P	150	350	810	460
S1021V0327P	200			
S1021V0328P	250			
S1021V0329P	300			
S1021V0330P	350			
S1021V0331P	400			
S1021V0332P	500			
S1021V0333P	600			
S1021V0334P	700			
S1021V0335P	800			
S1021V0336P	900			
S1021V0337P	1000			
S1021V0338P	1150	400	910	510
S1021V0339P	150			
S1021V0340P	200			
S1021V0341P	250			
S1021V0342P	300			
S1021V0343P	350			
S1021V0344P	400			
S1021V0345P	500			
S1021V0346P	600			
S1021V0347P	700			
S1021V0348P	800			
S1021V0349P	900			
S1021V0350P	1000			

GAYSAN LIFT AMORTİSÖRÜ STANDARTLARI / GAYSAN GAS SPRING LIFT STANDARDS											
STROKE STROK (mm)	25-50	51-100	101-150	151-200	201-250	251-300	301-350	351-400	401-450	451-500	501- →
DAMPENING FRENLEME (mm) 25	15	20	25	30	35	40	45	50	55	60	65
EXTENSION SPEED AÇILMA HIZI (mm/sn)	100-300										
ROD / TUBE END FITTINGS MİL / BORU BAĞLANTISI	GAYSAN END FITTING CATALOG / GAYSAN BAĞLANTI KATALOĞU										

Dimensions in mm / We reserve the right to make modifications. Ölçülerde değişiklik yapma hakkımız saklıdır.

## 10-21 VALVE LIFT



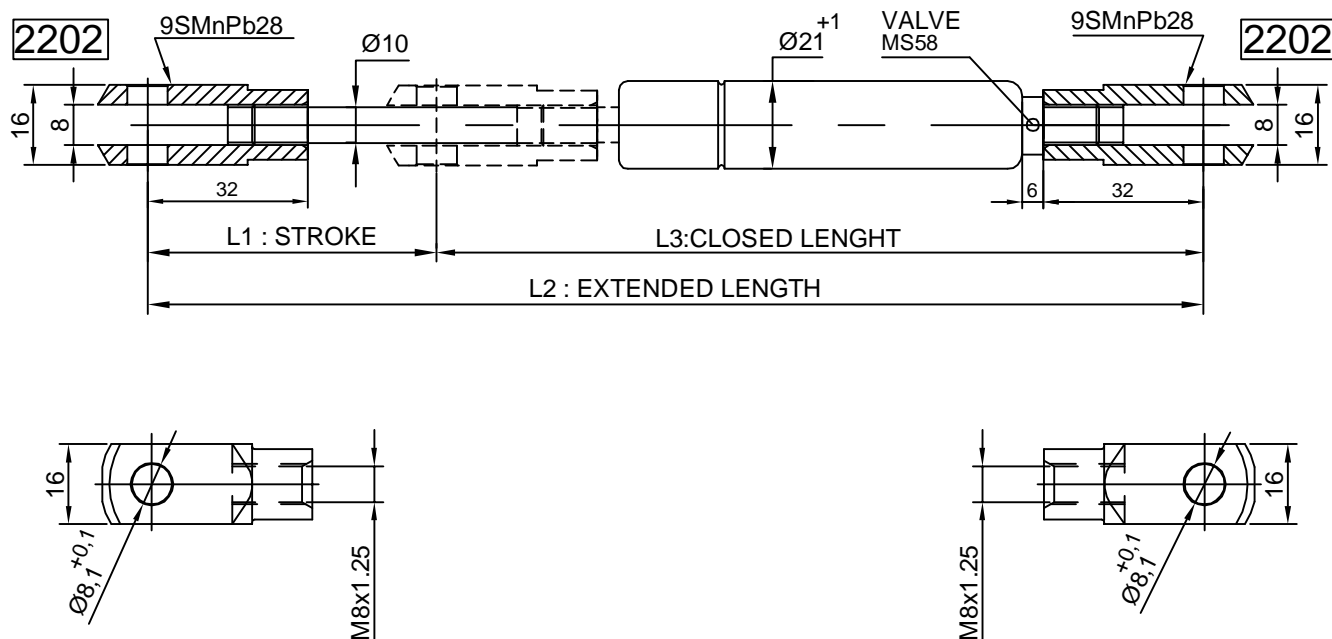
Ref.No.	F1 ( N )	L1 Stroke Strok	L2 Extended Length Açık Boy	L3 Closed Length Kapalı Boy
S1021V0001M	900	95	295	200
S1021V0002M	1000			
S1021V0003M	1150			
S1021V0004M	900	145	395	250
S1021V0005M	1000			
S1021V0006M	1150			
S1021V0007M	900	195	495	300
S1021V0008M	1000			
S1021V0009M	1150			
S1021V0010M	900	245	595	350
S1021V0011M	1000			
S1021V0012M	1150			
S1021V0013M	150	295	710	415
S1021V0014M	200			
S1021V0015M	250			
S1021V0016M	300			
S1021V0017M	350			
S1021V0018M	400			
S1021V0019M	500			
S1021V0020M	600			
S1021V0021M	700			
S1021V0022M	800			
S1021V0023M	900			
S1021V0024M	1000			
S1021V0025M	1150			

Ref.No.	F1 ( N )	L1 Stroke Strok	L2 Extended Length Açık Boy	L3 Closed Length Kapalı Boy
S1021V0026M	150	345	810	465
S1021V0027M	200			
S1021V0028M	250			
S1021V0029M	300			
S1021V0030M	350			
S1021V0031M	400			
S1021V0032M	500			
S1021V0033M	600			
S1021V0034M	700			
S1021V0035M	800			
S1021V0036M	900			
S1021V0037M	1000	395	910	515
S1021V0038M	1150			
S1021V0039M	150			
S1021V0040M	200			
S1021V0041M	250			
S1021V0042M	300			
S1021V0043M	350			
S1021V0044M	400			
S1021V0045M	500			
S1021V0046M	600			
S1021V0047M	700			
S1021V0048M	800			
S1021V0049M	900			
S1021V0050M	1000			

GAYSAN LIFT AMORTİSÖRÜ STANDARTLARI / GAYSAN GAS SPRING LIFT STANDARDS											
STROKE STROK (mm)	25-50	51-100	101-150	151-200	201-250	251-300	301-350	351-400	401-450	451-500	501- →
DAMPENING FRENLEME (mm) 25	15	20	25	30	35	40	45	50	55	60	65
EXTENSION SPEED AÇILMA HIZI (mm/sn)	100-300										
ROD / TUBE END FITTINGS MİL / BORU BAĞLANTISI	GAYSAN END FITTING CATALOG / GAYSAN BAĞLANTI KATALOĞU										

Dimensions in mm / We reserve the right to make modifications. Ölçülerde değişiklik yapma hakkımız saklıdır.

## 10-21 VALVE LIFT



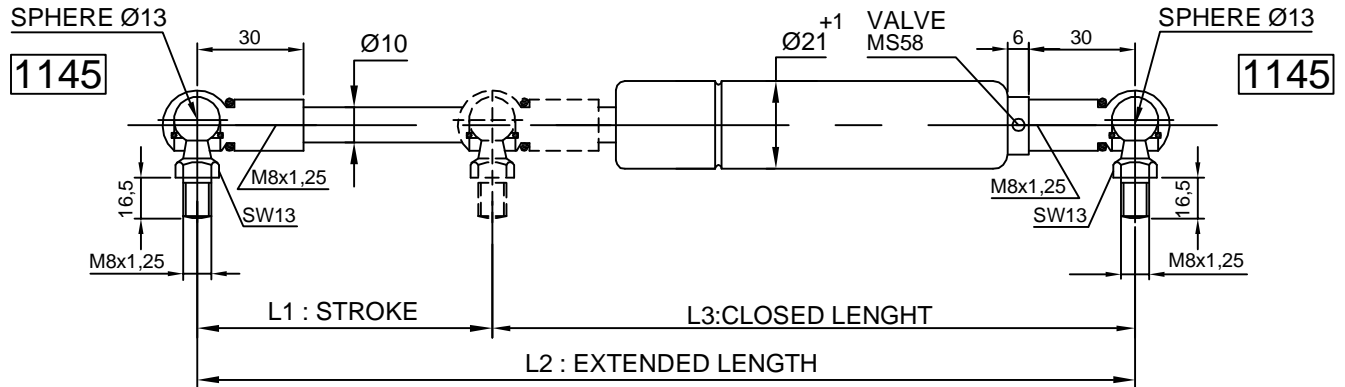
Ref.No.	F1 ( N )	L1 Stroke Strok	L2 Extended Length Açık Boy	L3 Closed Length Kapalı Boy
S1021V0101M	900	95	310	215
S1021V0102M	1000			
S1021V0103M	1150			
S1021V0104M	900	145	410	265
S1021V0105M	1000			
S1021V0106M	1150			
S1021V0107M	900	195	510	315
S1021V0108M	1000			
S1021V0109M	1150			
S1021V0110M	900	245	610	365
S1021V0111M	1000			
S1021V0112M	1150			
S1021V0113M	150	295	725	430
S1021V0114M	200			
S1021V0115M	250			
S1021V0116M	300			
S1021V0117M	350			
S1021V0118M	400			
S1021V0119M	500			
S1021V0120M	600			
S1021V0121M	700			
S1021V0122M	800			
S1021V0123M	900			
S1021V0124M	1000			
S1021V0125M	1150			

Ref.No.	F1 ( N )	L1 Stroke Strok	L2 Extended Length Açık Boy	L3 Closed Length Kapalı Boy
S1021V0126M	150	345	825	480
S1021V0127M	200			
S1021V0128M	250			
S1021V0129M	300			
S1021V0130M	350			
S1021V0131M	400			
S1021V0132M	500			
S1021V0133M	600			
S1021V0134M	700			
S1021V0135M	800			
S1021V0136M	900			
S1021V0137M	1000			
S1021V0138M	1150	395	925	530
S1021V0139M	150			
S1021V0140M	200			
S1021V0141M	250			
S1021V0142M	300			
S1021V0143M	350			
S1021V0144M	400			
S1021V0145M	500			
S1021V0146M	600			
S1021V0147M	700			
S1021V0148M	800			
S1021V0149M	900			
S1021V0150M	1000			

GAYSAN LIFT AMORTİSÖRÜ STANDARTLARI / GAYSAN GAS SPRING LIFT STANDARDS											
STROKE STROK (mm)	25-50	51-100	101-150	151-200	201-250	251-300	301-350	351-400	401-450	451-500	501- →
DAMPENING FRENLEME (mm) 25	15	20	25	30	35	40	45	50	55	60	65
EXTENSION SPEED AÇILMA HIZI (mm/sn)	100-300										
ROD / TUBE END FITTINGS MİL / BORU BAĞLANTISI	GAYSAN END FITTING CATALOG / GAYSAN BAĞLANTI KATALOĞU										

Dimensions in mm / We reserve the right to make modifications. Ölçülerde değişiklik yapma hakkımız saklıdır.

## 10-21 VALVE LIFT



Ref.No.	F1 ( N )	L1 Stroke Strok	L2 Extended Length Açık Boy	L3 Closed Length Kapalı Boy
S1021V0201M	900	95	310	215
S1021V0202M	1000			
S1021V0203M	1150			
S1021V0204M	900	145	410	265
S1021V0205M	1000			
S1021V0206M	1150			
S1021V0207M	900	195	510	315
S1021V0208M	1000			
S1021V0209M	1150			
S1021V0210M	900	245	610	365
S1021V0211M	1000			
S1021V0212M	1150			
S1021V0213M	150	295	725	430
S1021V0214M	200			
S1021V0215M	250			
S1021V0216M	300			
S1021V0217M	350			
S1021V0218M	400			
S1021V0219M	500			
S1021V0220M	600			
S1021V0221M	700			
S1021V0222M	800			
S1021V0223M	900			
S1021V0224M	1000			
S1021V0225M	1150			

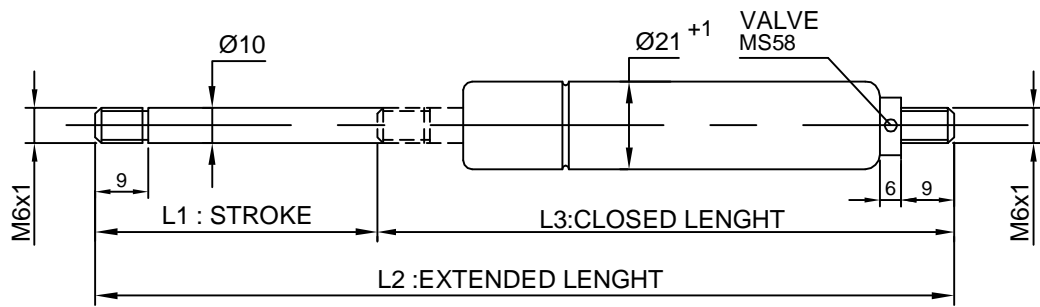
Ref.No.	F1 ( N )	L1 Stroke Strok	L2 Extended Length Açık Boy	L3 Closed Length Kapalı Boy
S1021V0226M	150	345	825	480
S1021V0227M	200			
S1021V0228M	250			
S1021V0229M	300			
S1021V0230M	350			
S1021V0231M	400			
S1021V0232M	500			
S1021V0233M	600			
S1021V0234M	700			
S1021V0235M	800			
S1021V0236M	900			
S1021V0237M	1000			
S1021V0238M	1150	395	925	530
S1021V0239M	150			
S1021V0240M	200			
S1021V0241M	250			
S1021V0242M	300			
S1021V0243M	350			
S1021V0244M	400			
S1021V0245M	500			
S1021V0246M	600			
S1021V0247M	700			
S1021V0248M	800			
S1021V0249M	900			
S1021V0250M	1000			

GAYSAN LIFT AMORTİSÖRÜ STANDARTLARI / GAYSAN GAS SPRING LIFT STANDARDS											
STROKE STROK (mm)	25-50	51-100	101-150	151-200	201-250	251-300	301-350	351-400	401-450	451-500	501- →
DAMPENING FRENLEME (mm) 25	15	20	25	30	35	40	45	50	55	60	65
EXTENSION SPEED AÇILMA HIZI (mm/sn)	100-300										
ROD / TUBE END FITTINGS MİL / BORU BAĞLANTISI	GAYSAN END FITTING CATALOG / GAYSAN BAĞLANTI KATALOĞU										

Dimensions in mm / We reserve the right to make modifications. Ölçülerde değişiklik yapma hakkımız saklıdır.

## 10-21 VALVE LIFT

7274



KT13

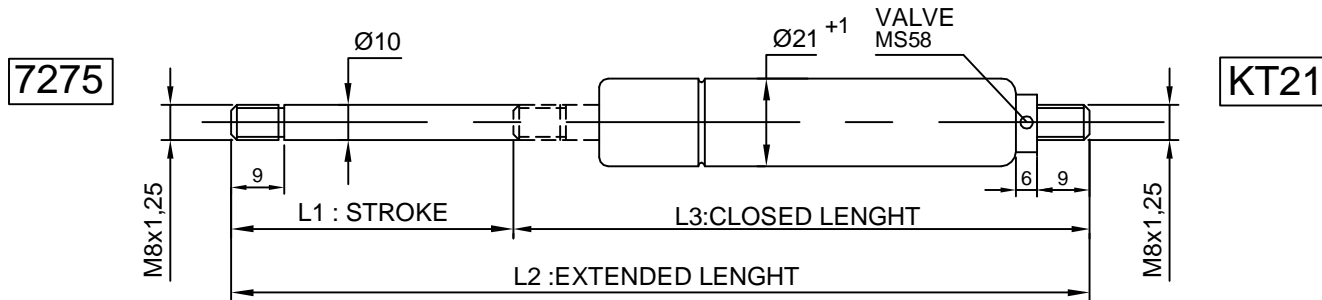
Ref.No.	F1 ( N )	L1 Stroke Strok	L2 Extended Lenght Açık Boy	L3 Closed Lenght Kapalı Boy
S1021V0001D	900	100	280	180
S1021V0002D	1000			
S1021V0003D	1150			
S1021V0004D	900	150	380	230
S1021V0005D	1000			
S1021V0006D	1150			
S1021V0007D	900	200	480	280
S1021V0008D	1000			
S1021V0009D	1150			
S1021V0010D	900	250	580	330
S1021V0011D	1000			
S1021V0012D	1150			
S1021V0013D	150	300	690	390
S1021V0014D	200			
S1021V0015D	250			
S1021V0016D	300			
S1021V0017D	350			
S1021V0018D	400			
S1021V0019D	500			
S1021V0020D	600			
S1021V0021D	700			
S1021V0022D	800			
S1021V0023D	900			
S1021V0024D	1000			
S1021V0025D	1150			

Ref.No.	F1 ( N )	L1 Stroke Strok	L2 Extended Lenght Açık Boy	L3 Closed Lenght Kapalı Boy
S1021V0026D	150	350	790	440
S1021V0027D	200			
S1021V0028D	250			
S1021V0029D	300			
S1021V0030D	350			
S1021V0031D	400			
S1021V0032D	500			
S1021V0033D	600			
S1021V0034D	700			
S1021V0035D	800			
S1021V0036D	900			
S1021V0037D	1000			
S1021V0038D	1150	400	890	490
S1021V0039D	150			
S1021V0040D	200			
S1021V0041D	250			
S1021V0042D	300			
S1021V0043D	350			
S1021V0044D	400			
S1021V0045D	500			
S1021V0046D	600			
S1021V0047D	700			
S1021V0048D	800			
S1021V0049D	900			
S1021V0050D	1000			

GAYSAN LIFT AMORTİSÖRÜ STANDARTLARI / GAYSAN GAS SPRING LIFT STANDARDS											
STROKE STROK (mm)	25-50	51-100	101-150	151-200	201-250	251-300	301-350	351-400	401-450	451-500	501- →
DAMPENING FRENLEME (mm) 25	15	20	25	30	35	40	45	50	55	60	65
EXTENSION SPEED AÇILMA HIZI (mm/sn)	100-300										
ROD / TUBE END FITTINGS MİL / BORU BAĞLANTISI	GAYSAN END FITTING CATALOG / GAYSAN BAĞLANTI KATALOĞU										

Dimensions in mm / We reserve the right to make modifications. Ölçülerde değişiklik yapma hakkımız saklıdır.

## 10-21 VALVE LIFT



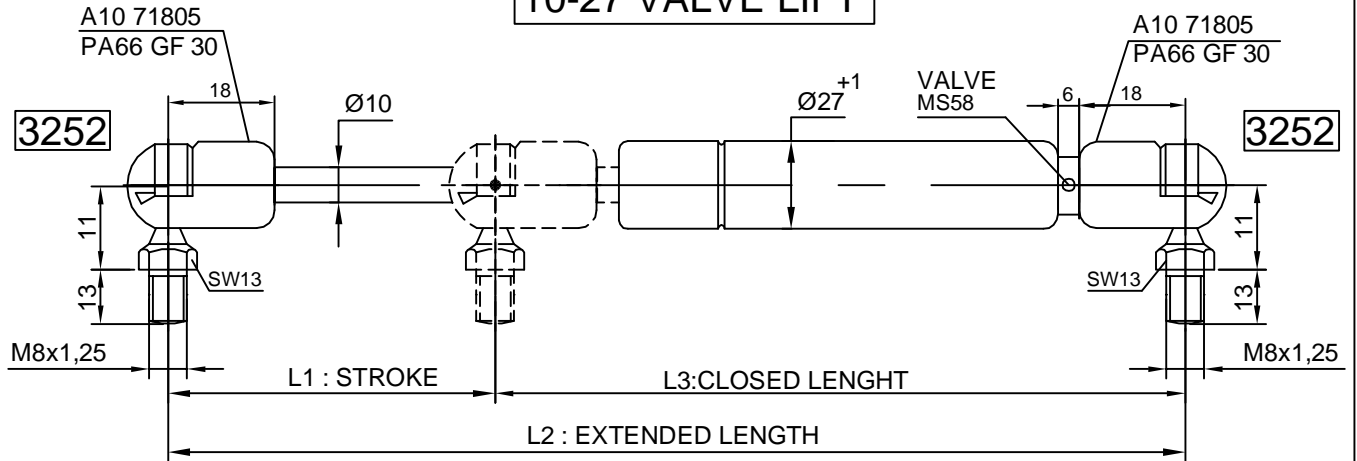
Ref.No.	F1 ( N )	L1 Stroke Strok	L2 Extended Lenght Açık Boy	L3 Closed Lenght Kapalı Boy
S1021V0101D	900	100	280	180
S1021V0102D	1000			
S1021V0103D	1150			
S1021V0104D	900	150	380	230
S1021V0105D	1000			
S1021V0106D	1150			
S1021V0107D	900	200	480	280
S1021V0108D	1000			
S1021V0109D	1150			
S1021V0110D	900	250	580	330
S1021V0111D	1000			
S1021V0112D	1150			
S1021V0113D	150	300	690	390
S1021V0114D	200			
S1021V0115D	250			
S1021V0116D	300			
S1021V0117D	350			
S1021V0118D	400			
S1021V0119D	500			
S1021V0120D	600			
S1021V0121D	700			
S1021V0122D	800			
S1021V0123D	900			
S1021V0124D	1000			
S1021V0125D	1150			

Ref.No.	F1 ( N )	L1 Stroke Strok	L2 Extended Lenght Açık Boy	L3 Closed Lenght Kapalı Boy
S1021V0126D	150	350	790	440
S1021V0127D	200			
S1021V0128D	250			
S1021V0129D	300			
S1021V0130D	350			
S1021V0131D	400			
S1021V0132D	500			
S1021V0133D	600			
S1021V0134D	700			
S1021V0135D	800			
S1021V0136D	900			
S1021V0137D	1000			
S1021V0138D	1150	400	890	490
S1021V0139D	150			
S1021V0140D	200			
S1021V0141D	250			
S1021V0142D	300			
S1021V0143D	350			
S1021V0144D	400			
S1021V0145D	500			
S1021V0146D	600			
S1021V0147D	700			
S1021V0148D	800			
S1021V0149D	900			
S1021V0150D	1000			

GAYSAN LIFT AMORTİSÖRÜ STANDARTLARI / GAYSAN GAS SPRING LIFT STANDARDS											
STROKE STROK (mm)	25-50	51-100	101-150	151-200	201-250	251-300	301-350	351-400	401-450	451-500	501- →
DAMPENING FRENLEME (mm) 25	15	20	25	30	35	40	45	50	55	60	65
EXTENSION SPEED AÇILMA HIZI (mm/sn)	100-300										
ROD / TUBE END FITTINGS MİL / BORU BAĞLANTISI	GAYSAN END FITTING CATALOG / GAYSAN BAĞLANTI KATALOĞU										

Dimensions in mm / We reserve the right to make modifications. Ölçülerde değişiklik yapma hakkımız saklıdır.

## 10-27 VALVE LIFT



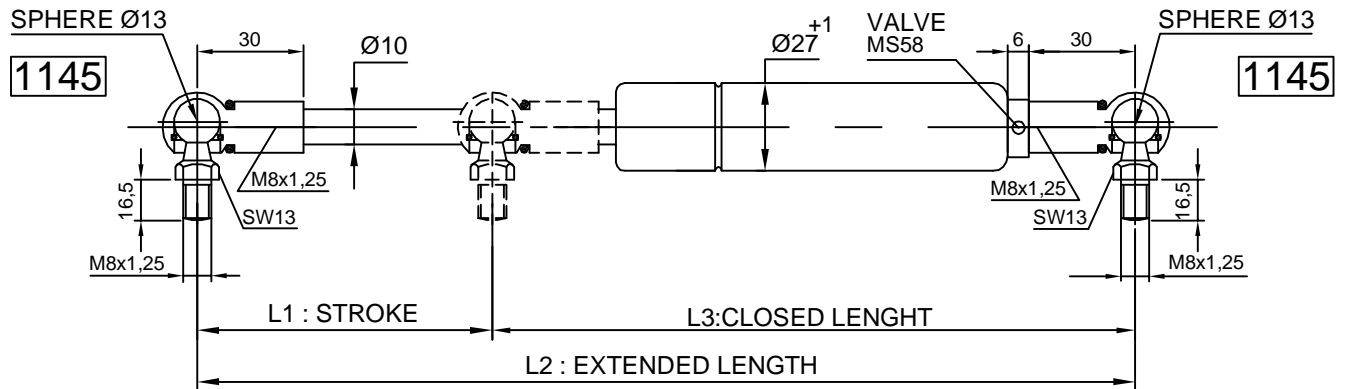
Ref.No.	F1 ( N )	L1 Stroke Strok	L2 Extended Length Açık Boy	L3 Closed Length Kapalı Boy
S1027V0001P	900	100	295	195
S1027V0002P	1000			
S1027V0003P	1150			
S1027V0004P	900	150	395	245
S1027V0005P	1000			
S1027V0006P	1150			
S1027V0007P	900	200	495	295
S1027V0008P	1000			
S1027V0009P	1150			
S1027V0010P	900	250	595	345
S1027V0011P	1000			
S1027V0012P	1150			
S1027V0013P	150	300	695	395
S1027V0014P	200			
S1027V0015P	250			
S1027V0016P	300			
S1027V0017P	350			
S1027V0018P	400			
S1027V0019P	500			
S1027V0020P	600			
S1027V0021P	700			
S1027V0022P	800			
S1027V0023P	900			
S1027V0024P	1000			
S1027V0025P	1150			

Ref.No.	F1 ( N )	L1 Stroke Strok	L2 Extended Length Açık Boy	L3 Closed Length Kapalı Boy
S1027V0026P	150	350	805	455
S1027V0027P	200			
S1027V0028P	250			
S1027V0029P	300			
S1027V0030P	350			
S1027V0031P	400			
S1027V0032P	500			
S1027V0033P	600			
S1027V0034P	700			
S1027V0035P	800			
S1027V0036P	900			
S1027V0037P	1000			
S1027V0038P	1150	400	905	505
S1027V0039P	150			
S1027V0040P	200			
S1027V0041P	250			
S1027V0042P	300			
S1027V0043P	350			
S1027V0044P	400			
S1027V0045P	500			
S1027V0046P	600			
S1027V0047P	700			
S1027V0048P	800			
S1027V0049P	900			
S1027V0050P	1000			

GAYSAN LIFT AMORTİSÖRÜ STANDARTLARI / GAYSAN GAS SPRING LIFT STANDARDS											
STROKE STROK (mm)	25-50	51-100	101-150	151-200	201-250	251-300	301-350	351-400	401-450	451-500	501- →
DAMPENING FRENLEME (mm) 25	15	20	25	30	35	40	45	50	55	60	65
EXTENSION SPEED AÇILMA HIZI (mm/sn)	100-300										
ROD / TUBE END FITTINGS MİL / BORU BAĞLANTISI	GAYSAN END FITTING CATALOG / GAYSAN BAĞLANTI KATALOĞU										

Dimensions in mm / We reserve the right to make modifications. Ölçülerde değişiklik yapma hakkımız saklıdır.

## 10-27 VALVE LIFT



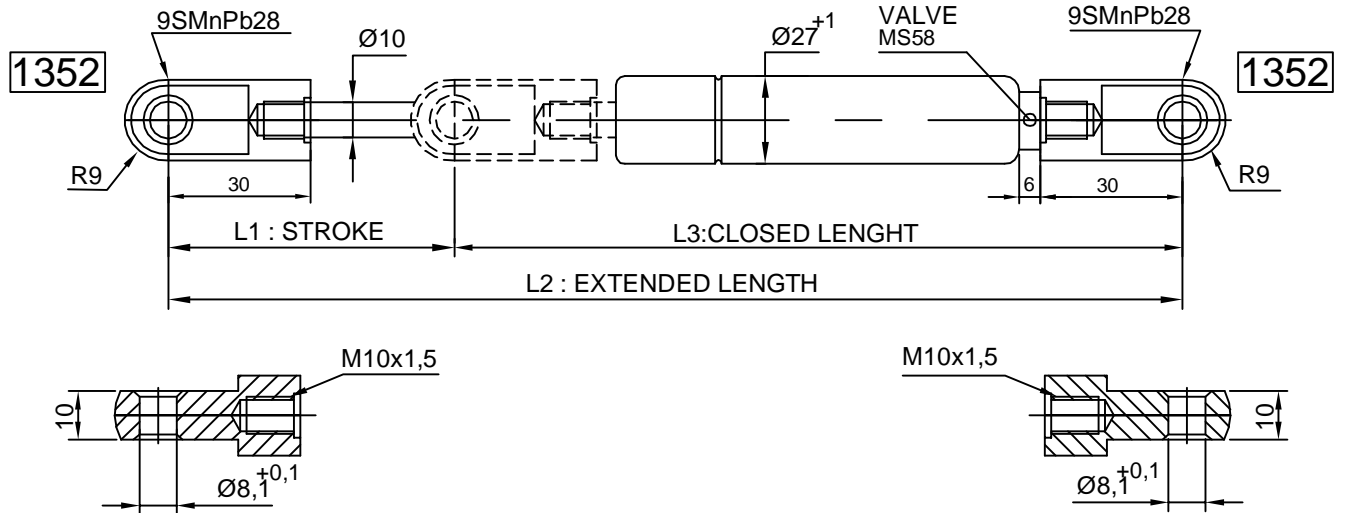
Ref.No.	F1 ( N )	L1 Stroke Strok	L2 Extended Lenght Açık Boy	L3 Closed Lenght Kapalı Boy
S1027V0001M	900	95	305	210
S1027V0002M	1000			
S1027V0003M	1150			
S1027V0004M	900	145	405	260
S1027V0005M	1000			
S1027V0006M	1150			
S1027V0007M	900	195	505	310
S1027V0008M	1000			
S1027V0009M	1150			
S1027V0010M	900	245	605	360
S1027V0011M	1000			
S1027V0012M	1150			
S1027V0013M	150	295	705	410
S1027V0014M	200			
S1027V0015M	250			
S1027V0016M	300			
S1027V0017M	350			
S1027V0018M	400			
S1027V0019M	500			
S1027V0020M	600			
S1027V0021M	700			
S1027V0022M	800			
S1027V0023M	900			
S1027V0024M	1000			
S1027V0025M	1150			

Ref.No.	F1 ( N )	L1 Stroke Strok	L2 Extended Lenght Açık Boy	L3 Closed Lenght Kapalı Boy
S1027V0026M	150	345	815	470
S1027V0027M	200			
S1027V0028M	250			
S1027V0029M	300			
S1027V0030M	350			
S1027V0031M	400			
S1027V0032M	500			
S1027V0033M	600			
S1027V0034M	700			
S1027V0035M	800			
S1027V0036M	900			
S1027V0037M	1000	395	915	520
S1027V0038M	1150			
S1027V0039M	150			
S1027V0040M	200			
S1027V0041M	250			
S1027V0042M	300			
S1027V0043M	350			
S1027V0044M	400			
S1027V0045M	500			
S1027V0046M	600			
S1027V0047M	700			
S1027V0048M	800			
S1027V0049M	900			
S1027V0050M	1000			

GAYSAN LIFT AMORTİSÖRÜ STANDARTLARI / GAYSAN GAS SPRING LIFT STANDARDS											
STROKE STROK (mm)	25-50	51-100	101-150	151-200	201-250	251-300	301-350	351-400	401-450	451-500	501- →
DAMPENING FRENLEME (mm) 25	15	20	25	30	35	40	45	50	55	60	65
EXTENSION SPEED AÇILMA HIZI (mm/sn)	100-300										
ROD / TUBE END FITTINGS MİL / BORU BAĞLANTISI	GAYSAN END FITTING CATALOG / GAYSAN BAĞLANTI KATALOĞU										

Dimensions in mm / We reserve the right to make modifications. Ölçülerde değişiklik yapma hakkımız saklıdır.

## 10-27 VALVE LIFT



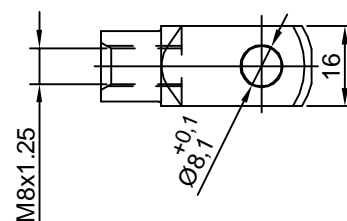
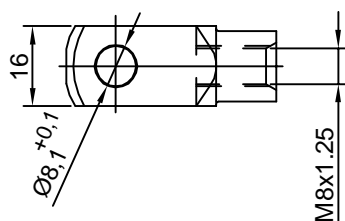
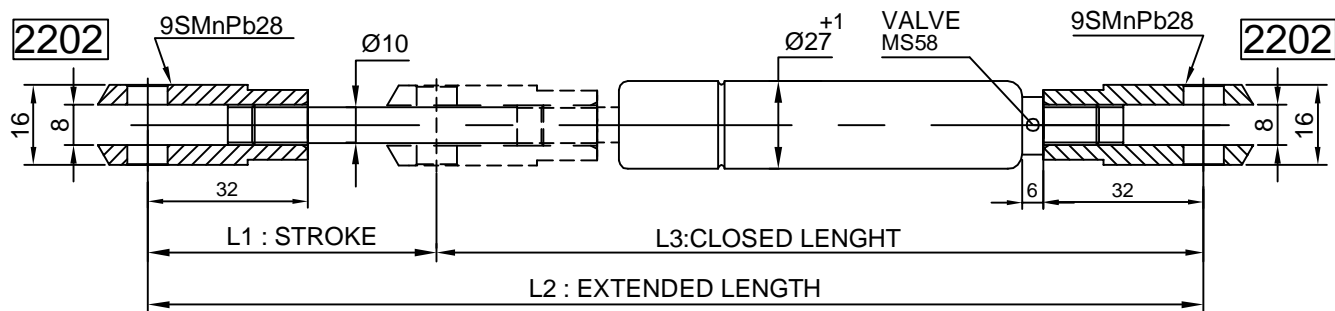
Ref.No.	F1 ( N )	L1 Stroke Strok	L2 Extended Length Açık Boy	L3 Closed Length Kapalı Boy
S1027V0101M	900	95	305	210
S1027V0102M	1000			
S1027V0103M	1150			
S1027V0104M	900	145	405	260
S1027V0105M	1000			
S1027V0106M	1150			
S1027V0107M	900	195	505	310
S1027V0108M	1000			
S1027V0109M	1150			
S1027V0110M	900	245	605	360
S1027V0111M	1000			
S1027V0112M	1150			
S1027V0113M	150	295	705	410
S1027V0114M	200			
S1027V0115M	250			
S1027V0116M	300			
S1027V0117M	350			
S1027V0118M	400			
S1027V0119M	500			
S1027V0120M	600			
S1027V0121M	700			
S1027V0122M	800			
S1027V0123M	900			
S1027V0124M	1000			
S1027V0125M	1150			

Ref.No.	F1 ( N )	L1 Stroke Strok	L2 Extended Length Açık Boy	L3 Closed Length Kapalı Boy
S1027V0126M	150	345	815	470
S1027V0127M	200			
S1027V0128M	250			
S1027V0129M	300			
S1027V0130M	350			
S1027V0131M	400			
S1027V0132M	500			
S1027V0133M	600			
S1027V0134M	700			
S1027V0135M	800			
S1027V0136M	900			
S1027V0137M	1000			
S1027V0138M	1150	395	915	520
S1027V0139M	150			
S1027V0140M	200			
S1027V0141M	250			
S1027V0142M	300			
S1027V0143M	350			
S1027V0144M	400			
S1027V0145M	500			
S1027V0146M	600			
S1027V0147M	700			
S1027V0148M	800			
S1027V0149M	900			
S1027V0150M	1000			

GAYSAN LIFT AMORTİSÖRÜ STANDARTLARI / GAYSAN GAS SPRING LIFT STANDARDS											
STROKE STROK (mm)	25-50	51-100	101-150	151-200	201-250	251-300	301-350	351-400	401-450	451-500	501- →
DAMPENING FRENLEME (mm) 25	15	20	25	30	35	40	45	50	55	60	65
EXTENSION SPEED AÇILMA HIZI (mm/sn)	100-300										
ROD / TUBE END FITTINGS MİL / BORU BAĞLANTISI	GAYSAN END FITTING CATALOG / GAYSAN BAĞLANTI KATALOĞU										

Dimensions in mm / We reserve the right to make modifications. Ölçülerde değişiklik yapma hakkımız saklıdır.

## 10-27 VALVE LIFT



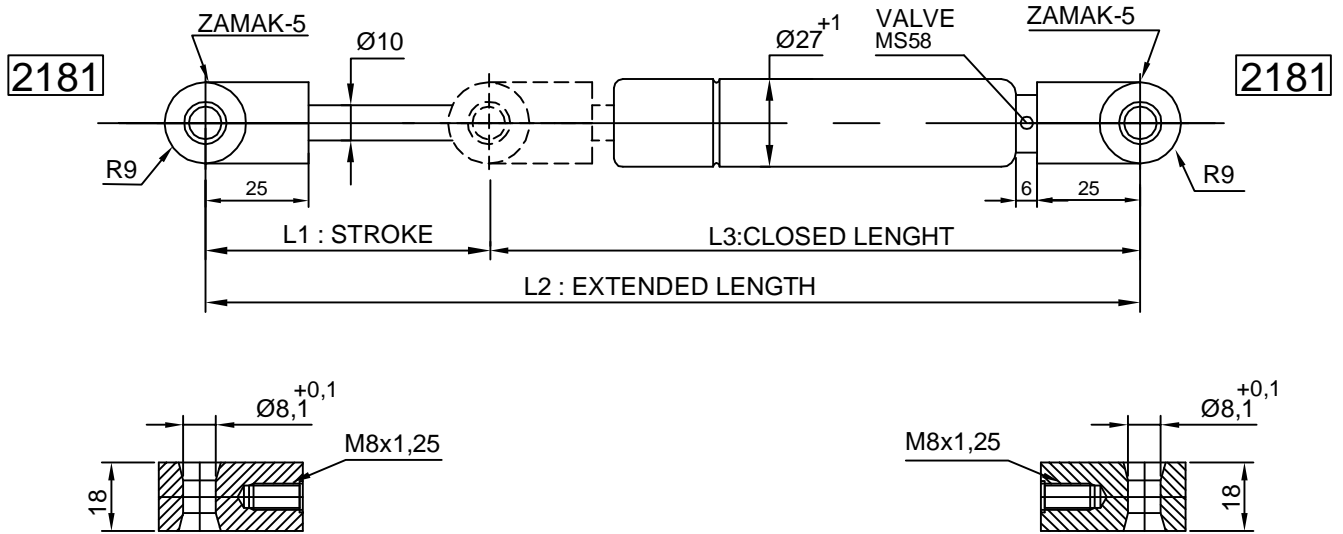
Ref.No.	F1 ( N )	L1 Stroke Strok	L2 Extended Length Açık Boy	L3 Closed Length Kapalı Boy
S1027V0201M	900	95	305	210
S1027V0202M	1000			
S1027V0203M	1150			
S1027V0204M	900	145	405	260
S1027V0205M	1000			
S1027V0206M	1150			
S1027V0207M	900	195	505	310
S1027V0208M	1000			
S1027V0209M	1150			
S1027V0210M	900	245	605	360
S1027V0211M	1000			
S1027V0212M	1150			
S1027V0213M	150	295	705	410
S1027V0214M	200			
S1027V0215M	250			
S1027V0216M	300			
S1027V0217M	350			
S1027V0218M	400			
S1027V0219M	500			
S1027V0220M	600			
S1027V0221M	700			
S1027V0222M	800			
S1027V0223M	900			
S1027V0224M	1000			
S1027V0225M	1150			

Ref.No.	F1 ( N )	L1 Stroke Strok	L2 Extended Length Açık Boy	L3 Closed Length Kapalı Boy
S1027V0226M	150	345	820	475
S1027V0227M	200			
S1027V0228M	250			
S1027V0229M	300			
S1027V0230M	350			
S1027V0231M	400			
S1027V0232M	500			
S1027V0233M	600			
S1027V0234M	700			
S1027V0235M	800			
S1027V0236M	900			
S1027V0237M	1000			
S1027V0238M	1150	395	920	525
S1027V0239M	150			
S1027V0240M	200			
S1027V0241M	250			
S1027V0242M	300			
S1027V0243M	350			
S1027V0244M	400			
S1027V0245M	500			
S1027V0246M	600			
S1027V0247M	700			
S1027V0248M	800			
S1027V0249M	900			
S1027V0250M	1000			

GAYSAN LIFT AMORTİSÖRÜ STANDARTLARI / GAYSAN GAS SPRING LIFT STANDARDS											
STROKE STROK (mm)	25-50	51-100	101-150	151-200	201-250	251-300	301-350	351-400	401-450	451-500	501- →
DAMPENING FRENLEME (mm) 25	15	20	25	30	35	40	45	50	55	60	65
EXTENSION SPEED AÇILMA HIZI (mm/sn)	100-300										
ROD / TUBE END FITTINGS MİL / BORU BAĞLANTISI	GAYSAN END FITTING CATALOG / GAYSAN BAĞLANTI KATALOĞU										

Dimensions in mm / We reserve the right to make modifications. Ölçülerde değişiklik yapma hakkımız saklıdır.

## 10-27 VALVE LIFT



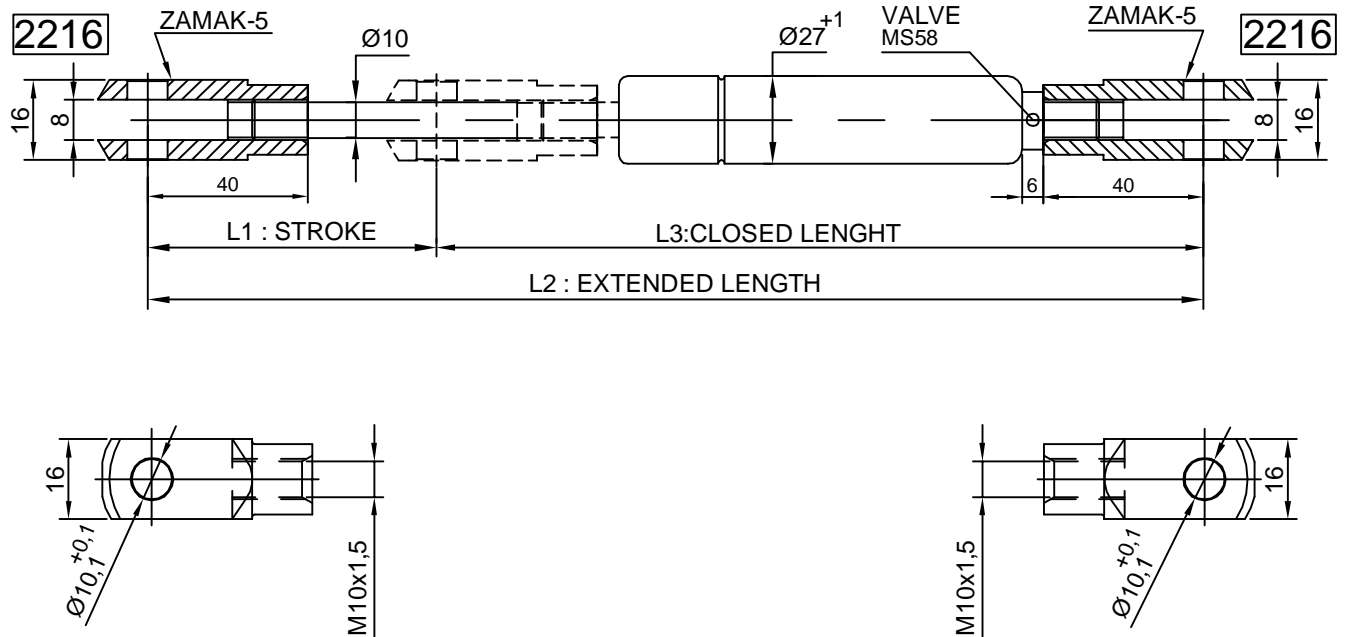
Ref.No.	F1 ( N )	L1 Stroke Strok	L2 Extended Length Açık Boy	L3 Closed Length Kapalı Boy
S1027V0001Z	900	95	305	210
S1027V0002Z	1000			
S1027V0003Z	1150			
S1027V0004Z	900	145	405	260
S1027V0005Z	1000			
S1027V0006Z	1150			
S1027V0007Z	900	195	505	310
S1027V0008Z	1000			
S1027V0009Z	1150			
S1027V0010Z	900	245	605	360
S1027V0011Z	1000			
S1027V0012Z	1150			
S1027V0013Z	150	295	705	410
S1027V0014Z	200			
S1027V0015Z	250			
S1027V0016Z	300			
S1027V0017Z	350			
S1027V0018Z	400			
S1027V0019Z	500			
S1027V0020Z	600			
S1027V0021Z	700			
S1027V0022Z	800			
S1027V0023Z	900			
S1027V0024Z	1000			
S1027V0025Z	1150			

Ref.No.	F1 ( N )	L1 Stroke Strok	L2 Extended Length Açık Boy	L3 Closed Length Kapalı Boy
S1027V0026Z	150	345	815	470
S1027V0027Z	200			
S1027V0028Z	250			
S1027V0029Z	300			
S1027V0030Z	350			
S1027V0031Z	400			
S1027V0032Z	500			
S1027V0033Z	600			
S1027V0034Z	700			
S1027V0035Z	800			
S1027V0036Z	900			
S1027V0037Z	1000	395	915	520
S1027V0038Z	1150			
S1027V0039Z	150			
S1027V0040Z	200			
S1027V0041Z	250			
S1027V0042Z	300			
S1027V0043Z	350			
S1027V0044Z	400			
S1027V0045Z	500			
S1027V0046Z	600			
S1027V0047Z	700			
S1027V0048Z	800			
S1027V0049Z	900			
S1027V0050Z	1000			

GAYSAN LIFT AMORTİSÖRÜ STANDARTLARI / GAYSAN GAS SPRING LIFT STANDARDS											
STROKE STROK (mm)	25-50	51-100	101-150	151-200	201-250	251-300	301-350	351-400	401-450	451-500	501- →
DAMPENING FRENLEME (mm) 25	15	20	25	30	35	40	45	50	55	60	65
EXTENSION SPEED AÇILMA HIZI (mm/sn)	100-300										
ROD / TUBE END FITTINGS MİL / BORU BAĞLANTISI	GAYSAN END FITTING CATALOG / GAYSAN BAĞLANTI KATALOĞU										

Dimensions in mm / We reserve the right to make modifications. Ölçülerde değişiklik yapma hakkımız saklıdır.

## 10-27 VALVE LIFT



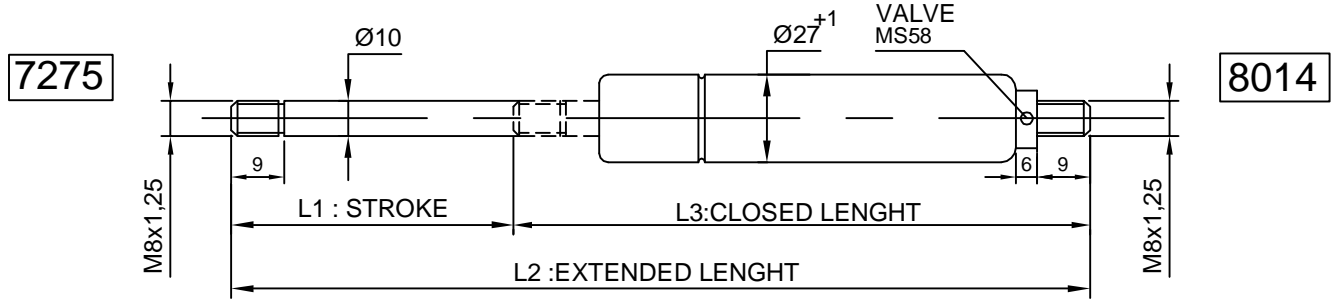
Ref.No.	F1 ( N )	L1 Stroke Strok	L2 Extended Lenght Açık Boy	L3 Closed Lenght Kapalı Boy
S1027V0101Z	900	95	320	225
S1027V0102Z	1000			
S1027V0103Z	1150			
S1027V0104Z	900	145	420	275
S1027V0105Z	1000			
S1027V0106Z	1150			
S1027V0107Z	900	195	520	325
S1027V0108Z	1000			
S1027V0109Z	1150			
S1027V0110Z	900	245	620	375
S1027V0111Z	1000			
S1027V0112Z	1150			
S1027V0113Z	150	295	720	425
S1027V0114Z	200			
S1027V0115Z	250			
S1027V0116Z	300			
S1027V0117Z	350			
S1027V0118Z	400			
S1027V0119Z	500			
S1027V0120Z	600			
S1027V0121Z	700			
S1027V0122Z	800			
S1027V0123Z	900			
S1027V0124Z	1000			
S1027V0125Z	1150			

Ref.No.	F1 ( N )	L1 Stroke Strok	L2 Extended Lenght Açık Boy	L3 Closed Lenght Kapalı Boy
S1027V0126Z	150	345	835	490
S1027V0127Z	200			
S1027V0128Z	250			
S1027V0129Z	300			
S1027V0130Z	350			
S1027V0131Z	400			
S1027V0132Z	500			
S1027V0133Z	600			
S1027V0134Z	700			
S1027V0135Z	800			
S1027V0136Z	900			
S1027V0137Z	1000			
S1027V0138Z	1150	395	935	540
S1027V0139Z	150			
S1027V0140Z	200			
S1027V0141Z	250			
S1027V0142Z	300			
S1027V0143Z	350			
S1027V0144Z	400			
S1027V0145Z	500			
S1027V0146Z	600			
S1027V0147Z	700			
S1027V0148Z	800			
S1027V0149Z	900			
S1027V0150Z	1000			

GAYSAN LIFT AMORTİSÖRÜ STANDARTLARI / GAYSAN GAS SPRING LIFT STANDARDS											
STROKE STROK (mm)	25-50	51-100	101-150	151-200	201-250	251-300	301-350	351-400	401-450	451-500	501- →
DAMPENING FRENLEME (mm) 25	15	20	25	30	35	40	45	50	55	60	65
EXTENSION SPEED AÇILMA HIZI (mm/sn)	100-300										
ROD / TUBE END FITTINGS MİL / BORU BAĞLANTISI	GAYSAN END FITTING CATALOG / GAYSAN BAĞLANTI KATALOĞU										

Dimensions in mm / We reserve the right to make modifications. Ölçülerde değişiklik yapma hakkımız saklıdır.

## 10-27 VALVE LIFT



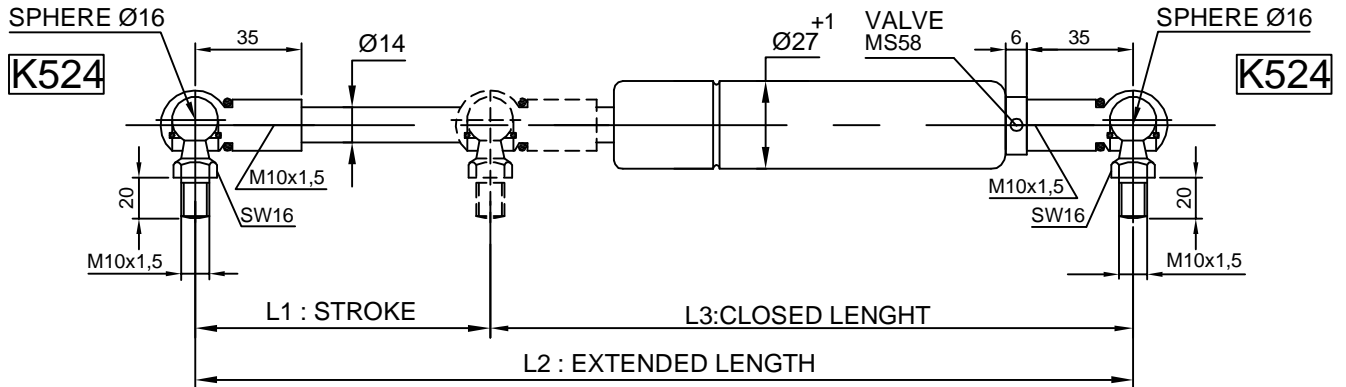
Ref.No.	F1 ( N )	L1 Stroke Strok	L2 Extended Lenght Açık Boy	L3 Closed Lenght Kapalı Boy
S1027V0001D	900	100	280	180
S1027V0002D	1000			
S1027V0003D	1150			
S1027V0004D	900	150	380	230
S1027V0005D	1000			
S1027V0006D	1150			
S1027V0007D	900	200	480	280
S1027V0008D	1000			
S1027V0009D	1150			
S1027V0010D	900	250	580	330
S1027V0011D	1000			
S1027V0012D	1150			
S1027V0013D	150	300	680	380
S1027V0014D	200			
S1027V0015D	250			
S1027V0016D	300			
S1027V0017D	350			
S1027V0018D	400			
S1027V0019D	500			
S1027V0020D	600			
S1027V0021D	700			
S1027V0022D	800			
S1027V0023D	900			
S1027V0024D	1000			
S1027V0025D	1150			

Ref.No.	F1 ( N )	L1 Stroke Strok	L2 Extended Lenght Açık Boy	L3 Closed Lenght Kapalı Boy
S1027V0026D	150	350	785	435
S1027V0027D	200			
S1027V0028D	250			
S1027V0029D	300			
S1027V0030D	350			
S1027V0031D	400			
S1027V0032D	500			
S1027V0033D	600			
S1027V0034D	700			
S1027V0035D	800			
S1027V0036D	900			
S1027V0037D	1000			
S1027V0038D	1150	400	895	495
S1027V0039D	150			
S1027V0040D	200			
S1027V0041D	250			
S1027V0042D	300			
S1027V0043D	350			
S1027V0044D	400			
S1027V0045D	500			
S1027V0046D	600			
S1027V0047D	700			
S1027V0048D	800			
S1027V0049D	900			
S1027V0050D	1000			

GAYSAN LIFT AMORTİSÖRÜ STANDARTLARI / GAYSAN GAS SPRING LIFT STANDARDS											
STROKE STROK (mm)	25-50	51-100	101-150	151-200	201-250	251-300	301-350	351-400	401-450	451-500	501- →
DAMPENING FRENLEME (mm) 25	15	20	25	30	35	40	45	50	55	60	65
EXTENSION SPEED AÇILMA HIZI (mm/sn)	100-300										
ROD / TUBE END FITTINGS MİL / BORU BAĞLANTISI	GAYSAN END FITTING CATALOG / GAYSAN BAĞLANTI KATALOĞU										

Dimensions in mm / We reserve the right to make modifications. Ölçülerde değişiklik yapma hakkımız saklıdır.

## 14-27 VALVE LIFT



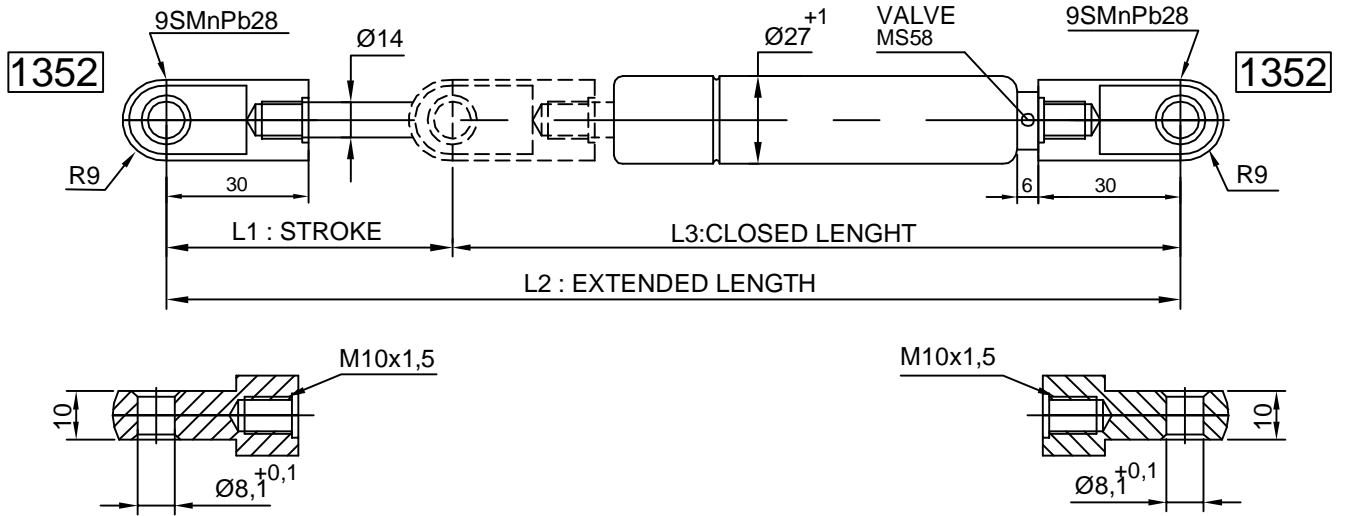
Ref.No.	F1 ( N )	L1 Stroke Strok	L2 Extended Length Açık Boy	L3 Closed Length Kapalı Boy
S1427V0001M	1300	100	350	250
S1427V0002M	1500			
S1427V0003M	1700			
S1427V0004M	1900			
S1427V0005M	2100	150	450	300
S1427V0006M	1300			
S1427V0007M	1500			
S1427V0008M	1700			
S1427V0009M	1900			
S1427V0010M	2100			
S1427V0011M	1300	200	550	350
S1427V0012M	1500			
S1427V0013M	1700			
S1427V0014M	1900			
S1427V0015M	2100			
S1427V0016M	1300			
S1427V0017M	1500			
S1427V0018M	1700	250	650	400
S1427V0019M	1900			
S1427V0020M	2100			
S1427V0021M	1300			
S1427V0022M	1500	300	750	450
S1427V0023M	1700			
S1427V0024M	1900			
S1427V0025M	2100			

Ref.No.	F1 ( N )	L1 Stroke Strok	L2 Extended Length Açık Boy	L3 Closed Length Kapalı Boy
S1427V0026M	1300	350	850	500
S1427V0027M	1500			
S1427V0028M	1700			
S1427V0029M	1900			
S1427V0030M	2100	400	950	550
S1427V0031M	1300			
S1427V0032M	1500			
S1427V0033M	1700			
S1427V0034M	1900			
S1427V0035M	2100			
S1427V0036M	500	500	1150	650
S1427V0037M	600			
S1427V0038M	700			
S1427V0039M	800			
S1427V0040M	900			
S1427V0041M	1000			
S1427V0042M	1100			
S1427V0043M	1300			
S1427V0044M	1500			
S1427V0045M	1700			

GAYSAN LIFT AMORTİSÖRÜ STANDARTLARI / GAYSAN GAS SPRING LIFT STANDARDS											
STROKE STROK (mm)	25-50	51-100	101-150	151-200	201-250	251-300	301-350	351-400	401-450	451-500	501- →
DAMPENING FRENLEME (mm) 25	15	20	25	30	35	40	45	50	55	60	65
EXTENSION SPEED AÇILMA HIZI (mm/sn)	100-300										
ROD / TUBE END FITTINGS MİL / BORU BAĞLANTISI	GAYSAN END FITTING CATALOG / GAYSAN BAĞLANTI KATALOĞU										

Dimensions in mm / We reserve the right to make modifications. Ölçülerde değişiklik yapma hakkımız saklıdır.

## 14-27 VALVE LIFT



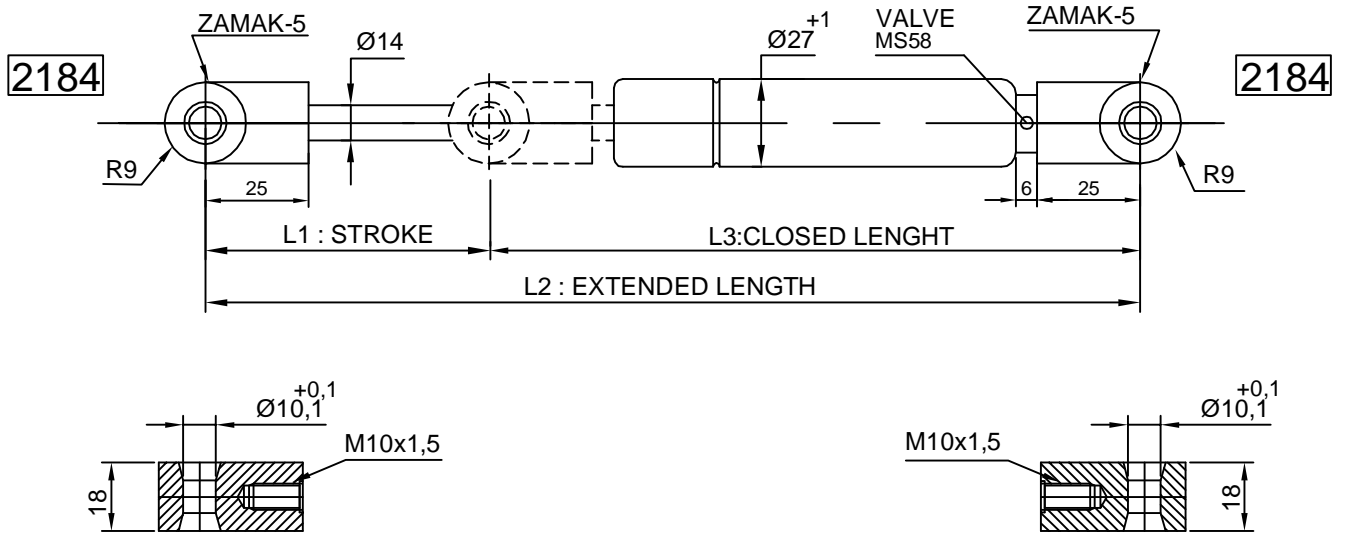
Ref.No.	F1 ( N )	L1 Stroke Strok	L2 Extended Length Açık Boy	L3 Closed Length Kapalı Boy
S1427V0101M	1300	100	340	240
S1427V0102M	1500			
S1427V0103M	1700			
S1427V0104M	1900			
S1427V0105M	2100			
S1427V0106M	1300	150	440	290
S1427V0107M	1500			
S1427V0108M	1700			
S1427V0109M	1900			
S1427V0110M	2100			
S1427V0111M	1300	200	540	340
S1427V0112M	1500			
S1427V0113M	1700			
S1427V0114M	1900			
S1427V0115M	2100			
S1427V0116M	1300	250	640	390
S1427V0117M	1500			
S1427V0118M	1700			
S1427V0119M	1900			
S1427V0120M	2100			
S1427V0121M	1300	300	740	440
S1427V0122M	1500			
S1427V0123M	1700			
S1427V0124M	1900			
S1427V0125M	2100			

Ref.No.	F1 ( N )	L1 Stroke Strok	L2 Extended Length Açık Boy	L3 Closed Length Kapalı Boy
S1427V0126M	1300	350	840	490
S1427V0127M	1500			
S1427V0128M	1700			
S1427V0129M	1900			
S1427V0130M	2100			
S1427V0131M	1300	400	940	540
S1427V0132M	1500			
S1427V0133M	1700			
S1427V0134M	1900			
S1427V0135M	2100			
S1427V0136M	500	500	1140	640
S1427V0137M	600			
S1427V0138M	700			
S1427V0139M	800			
S1427V0140M	900			
S1427V0141M	1000	1700		
S1427V0142M	1100			
S1427V0143M	1300			
S1427V0144M	1500			
S1427V0145M	1700			

GAYSAN LIFT AMORTİSÖRÜ STANDARTLARI / GAYSAN GAS SPRING LIFT STANDARDS											
STROKE STROK (mm)	25-50	51-100	101-150	151-200	201-250	251-300	301-350	351-400	401-450	451-500	501- →
DAMPENING FRENLEME (mm) 25	15	20	25	30	35	40	45	50	55	60	65
EXTENSION SPEED AÇILMA HIZI (mm/sn)	100-300										
ROD / TUBE END FITTINGS MİL / BORU BAĞLANTISI	GAYSAN END FITTING CATALOG / GAYSAN BAĞLANTI KATALOĞU										

Dimensions in mm / We reserve the right to make modifications. Ölçülerde değişiklik yapma hakkımız saklıdır.

## 14-27 VALVE LIFT



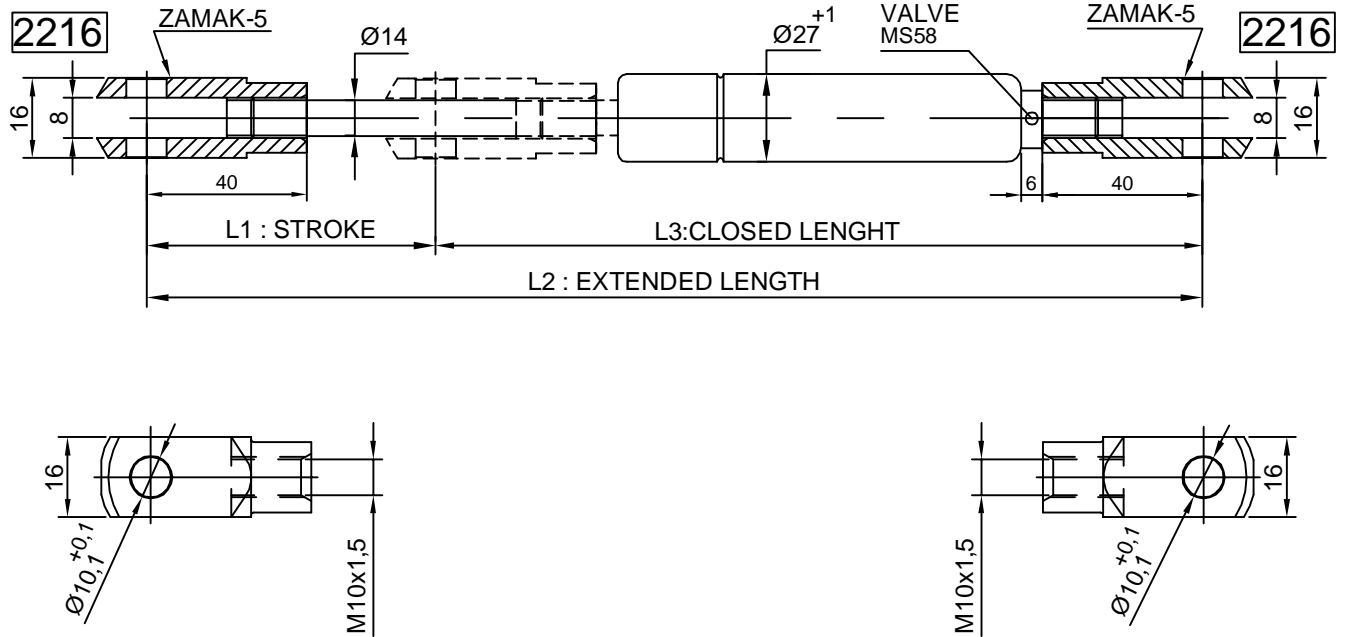
Ref.No.	F1 ( N )	L1 Stroke Strok	L2 Extended Length Açık Boy	L3 Closed Length Kapalı Boy
S1427V0001Z	1300	100	330	230
S1427V0002Z	1500			
S1427V0003Z	1700			
S1427V0004Z	1900			
S1427V0005Z	2100			
S1427V0006Z	1300	150	430	280
S1427V0007Z	1500			
S1427V0008Z	1700			
S1427V0009Z	1900			
S1427V0010Z	2100			
S1427V0011Z	1300	200	530	330
S1427V0012Z	1500			
S1427V0013Z	1700			
S1427V0014Z	1900			
S1427V0015Z	2100			
S1427V0016Z	1300	250	630	380
S1427V0017Z	1500			
S1427V0018Z	1700			
S1427V0019Z	1900			
S1427V0020Z	2100			
S1427V0021Z	1300	300	730	430
S1427V0022Z	1500			
S1427V0023Z	1700			
S1427V0024Z	1900			
S1427V0025Z	2100			

Ref.No.	F1 ( N )	L1 Stroke Strok	L2 Extended Length Açık Boy	L3 Closed Length Kapalı Boy
S1427V0026Z	1300	350	830	480
S1427V0027Z	1500			
S1427V0028Z	1700			
S1427V0029Z	1900			
S1427V0030Z	2100			
S1427V0031Z	1300	400	930	530
S1427V0032Z	1500			
S1427V0033Z	1700			
S1427V0034Z	1900			
S1427V0035Z	2100			
S1427V0036Z	500	500	1130	630
S1427V0037Z	600			
S1427V0038Z	700			
S1427V0039Z	800			
S1427V0040Z	900			
S1427V0041Z	1000			
S1427V0042Z	1100			
S1427V0043Z	1300			
S1427V0044Z	1500			
S1427V0045Z	1700			

GAYSAN LIFT AMORTİSÖRÜ STANDARTLARI / GAYSAN GAS SPRING LIFT STANDARDS											
STROKE STROK (mm)	25-50	51-100	101-150	151-200	201-250	251-300	301-350	351-400	401-450	451-500	501- →
DAMPENING FRENLEME (mm) 25	15	20	25	30	35	40	45	50	55	60	65
EXTENSION SPEED AÇILMA HIZI (mm/sn)	100-300										
ROD / TUBE END FITTINGS MİL / BORU BAĞLANTISI	GAYSAN END FITTING CATALOG / GAYSAN BAĞLANTI KATALOĞU										

Dimensions in mm / We reserve the right to make modifications. Ölçülerde değişiklik yapma hakkımız saklıdır.

## 14-27 VALVE LIFT



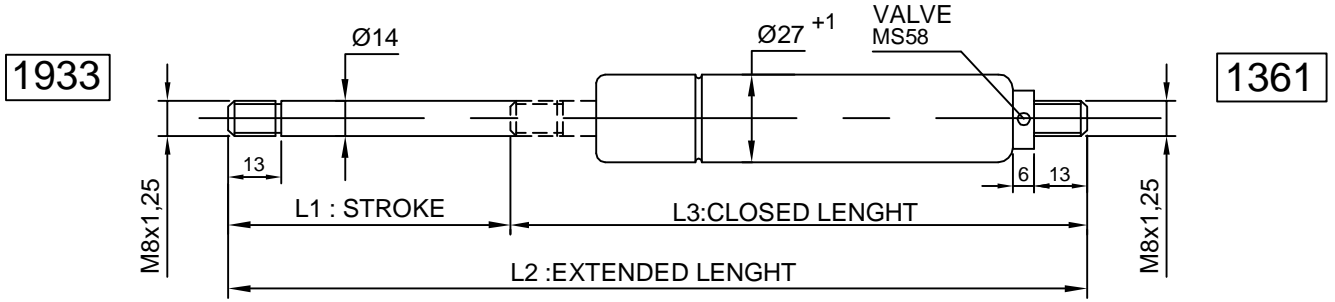
Ref.No.	F1 ( N )	L1 Stroke Strok	L2 Extended Lenght Açık Boy	L3 Closed Lenght Kapalı Boy
S1427V0101Z	1300	100	340	240
S1427V0102Z	1500			
S1427V0103Z	1700			
S1427V0104Z	1900			
S1427V0105Z	2100	150	440	290
S1427V0106Z	1300			
S1427V0107Z	1500			
S1427V0108Z	1700			
S1427V0109Z	1900			
S1427V0110Z	2100			
S1427V0111Z	1300	200	540	340
S1427V0112Z	1500			
S1427V0113Z	1700			
S1427V0114Z	1900			
S1427V0115Z	2100	250	640	390
S1427V0116Z	1300			
S1427V0117Z	1500			
S1427V0118Z	1700			
S1427V0119Z	1900			
S1427V0120Z	2100			
S1427V0121Z	1300	300	740	440
S1427V0122Z	1500			
S1427V0123Z	1700			
S1427V0124Z	1900			
S1427V0125Z	2100			

Ref.No.	F1 ( N )	L1 Stroke Strok	L2 Extended Lenght Açık Boy	L3 Closed Lenght Kapalı Boy
S1427V0126Z	1300	350	840	490
S1427V0127Z	1500			
S1427V0128Z	1700			
S1427V0129Z	1900			
S1427V0130Z	2100	400	940	540
S1427V0131Z	1300			
S1427V0132Z	1500			
S1427V0133Z	1700			
S1427V0134Z	1900			
S1427V0135Z	2100			
S1427V0136Z	500	500	1140	640
S1427V0137Z	600			
S1427V0138Z	700			
S1427V0139Z	800			
S1427V0140Z	900			
S1427V0141Z	1000			
S1427V0142Z	1100			
S1427V0143Z	1300			
S1427V0144Z	1500			
S1427V0145Z	1700			

GAYSAN LIFT AMORTİSÖRÜ STANDARTLARI / GAYSAN GAS SPRING LIFT STANDARDS											
STROKE STROK (mm)	25-50	51-100	101-150	151-200	201-250	251-300	301-350	351-400	401-450	451-500	501- →
DAMPENING FRENLEME (mm) 25	15	20	25	30	35	40	45	50	55	60	65
EXTENSION SPEED AÇILMA HIZI (mm/sn)	100-300										
ROD / TUBE END FITTINGS MİL / BORU BAĞLANTISI	GAYSAN END FITTING CATALOG / GAYSAN BAĞLANTI KATALOĞU										

Dimensions in mm / We reserve the right to make modifications. Ölçülerde değişiklik yapma hakkımız saklıdır.

## 14-27 VALVE LIFT



Ref.No.	F1 ( N )	L1 Stroke Strok	L2 Extended Length Açık Boy	L3 Closed Length Kapalı Boy
S1427V0001D	1300	100	310	210
S1427V0002D	1500			
S1427V0003D	1700			
S1427V0004D	1900			
S1427V0005D	2100			
S1427V0006D	1300	150	410	260
S1427V0007D	1500			
S1427V0008D	1700			
S1427V0009D	1900			
S1427V0010D	2100			
S1427V0011D	1300	200	510	310
S1427V0012D	1500			
S1427V0013D	1700			
S1427V0014D	1900			
S1427V0015D	2100			
S1427V0016D	1300	250	610	360
S1427V0017D	1500			
S1427V0018D	1700			
S1427V0019D	1900			
S1427V0020D	2100			
S1427V0021D	1300	300	710	410
S1427V0022D	1500			
S1427V0023D	1700			
S1427V0024D	1900			
S1427V0025D	2100			

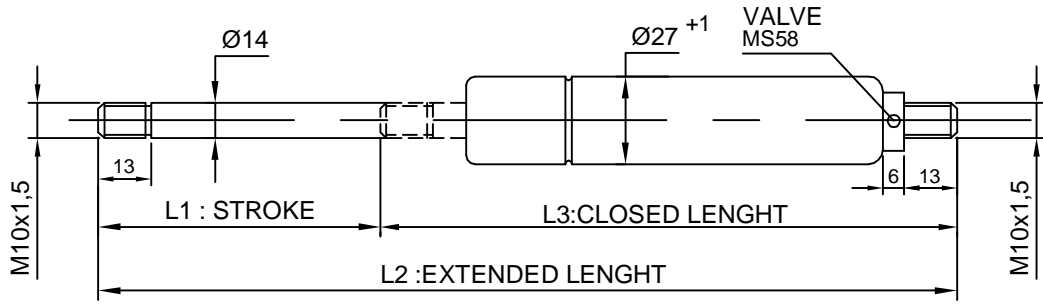
Ref.No.	F1 ( N )	L1 Stroke Strok	L2 Extended Length Açık Boy	L3 Closed Length Kapalı Boy
S1427V0026D	1300	350	810	460
S1427V0027D	1500			
S1427V0028D	1700			
S1427V0029D	1900			
S1427V0030D	2100			
S1427V0031D	1300	400	910	510
S1427V0032D	1500			
S1427V0033D	1700			
S1427V0034D	1900			
S1427V0035D	2100			
S1427V0036D	500	500	1110	610
S1427V0037D	600			
S1427V0038D	700			
S1427V0039D	800			
S1427V0040D	900			
S1427V0041D	1000			
S1427V0042D	1100			
S1427V0043D	1300			
S1427V0044D	1500			
S1427V0045D	1700			

GAYSAN LIFT AMORTİSÖRÜ STANDARTLARI / GAYSAN GAS SPRING LIFT STANDARDS											
STROKE STROK (mm)	25-50	51-100	101-150	151-200	201-250	251-300	301-350	351-400	401-450	451-500	501- →
DAMPENING FRENLEME (mm) 25	15	20	25	30	35	40	45	50	55	60	65
EXTENSION SPEED AÇILMA HIZI (mm/sn)	100-300										
ROD / TUBE END FITTINGS MİL / BORU BAĞLANTISI	GAYSAN END FITTING CATALOG / GAYSAN BAĞLANTI KATALOĞU										

Dimensions in mm / We reserve the right to make modifications. Ölçülerde değişiklik yapma hakkımız saklıdır.

## 14-27 VALVE LIFT

1940



1362

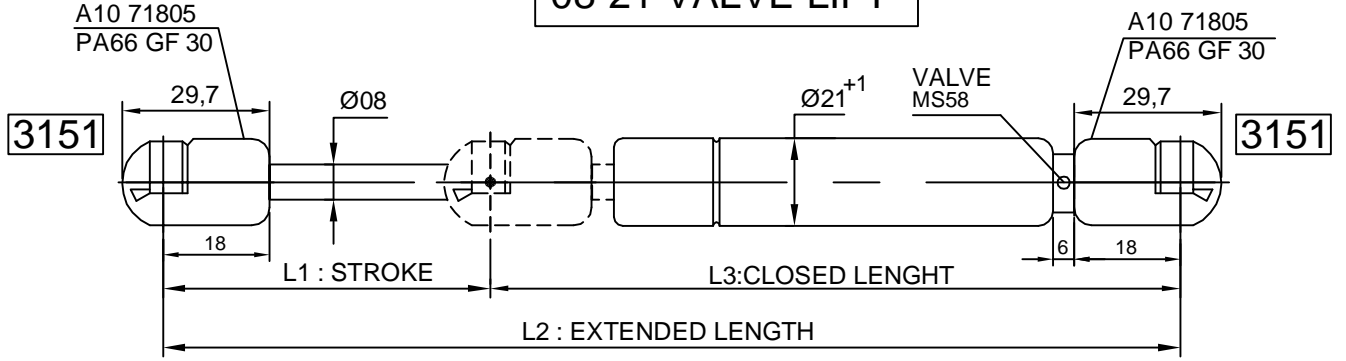
Ref.No.	F1 ( N )	L1 Stroke Strok	L2 Extended Lenght Açık Boy	L3 Closed Lenght Kapalı Boy
S1427V0101D	1300	100	310	210
S1427V0102D	1500			
S1427V0103D	1700			
S1427V0104D	1900			
S1427V0105D	2100			
S1427V0106D	1300	150	410	260
S1427V0107D	1500			
S1427V0108D	1700			
S1427V0109D	1900			
S1427V0110D	2100			
S1427V0111D	1300	200	510	310
S1427V0112D	1500			
S1427V0113D	1700			
S1427V0114D	1900			
S1427V0115D	2100			
S1427V0116D	1300	250	610	360
S1427V0117D	1500			
S1427V0118D	1700			
S1427V0119D	1900			
S1427V0120D	2100			
S1427V0121D	1300	300	710	410
S1427V0122D	1500			
S1427V0123D	1700			
S1427V0124D	1900			
S1427V0125D	2100			

Ref.No.	F1 ( N )	L1 Stroke Strok	L2 Extended Lenght Açık Boy	L3 Closed Lenght Kapalı Boy
S1427V0126D	1300	350	810	460
S1427V0127D	1500			
S1427V0128D	1700			
S1427V0129D	1900			
S1427V0130D	2100			
S1427V0131D	1300	400	910	510
S1427V0132D	1500			
S1427V0133D	1700			
S1427V0134D	1900			
S1427V0135D	2100			
S1427V0136D	500	500	1110	610
S1427V0137D	600			
S1427V0138D	700			
S1427V0139D	800			
S1427V0140D	900			
S1427V0141D	1000			
S1427V0142D	1100			
S1427V0143D	1300			
S1427V0144D	1500			
S1427V0145D	1700			

GAYSAN LIFT AMORTİSÖRÜ STANDARTLARI / GAYSAN GAS SPRING LIFT STANDARDS											
STROKE STROK (mm)	25-50	51-100	101-150	151-200	201-250	251-300	301-350	351-400	401-450	451-500	501- →
DAMPENING FRENLEME (mm) 25	15	20	25	30	35	40	45	50	55	60	65
EXTENSION SPEED AÇILMA HIZI (mm/sn)	100-300										
ROD / TUBE END FITTINGS MİL / BORU BAĞLANTISI	GAYSAN END FITTING CATALOG / GAYSAN BAĞLANTI KATALOĞU										

Dimensions in mm / We reserve the right to make modifications. Ölçülerde değişiklik yapma hakkımız saklıdır.

## 08-21 VALVE LIFT

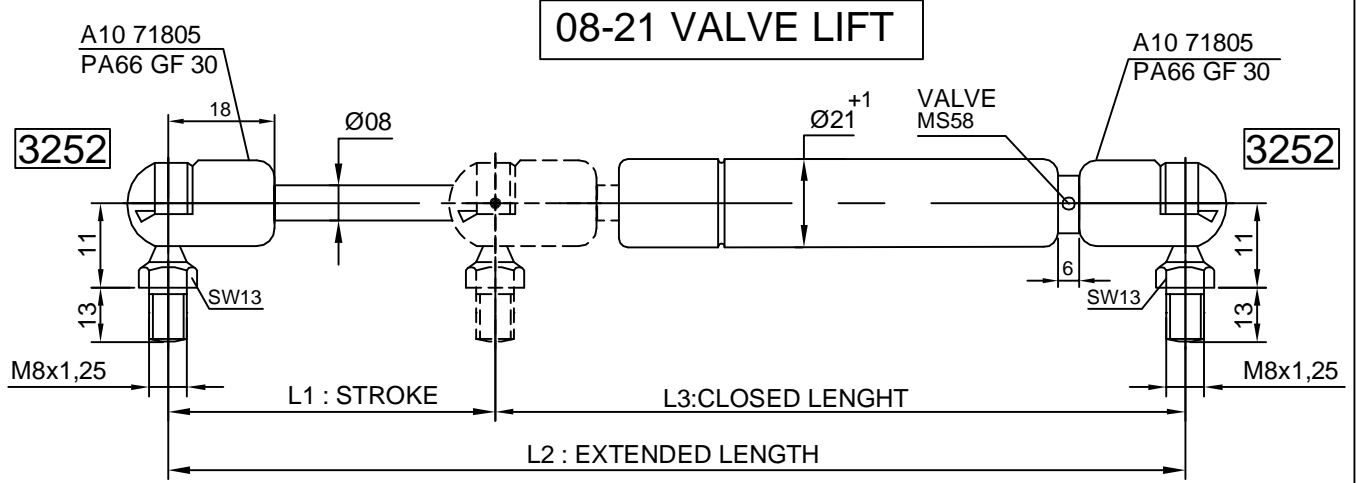


Ref.No.	F1 ( N )	L1 Stroke Strok	L2 Extended Lenght Açık Boy	L3 Closed Lenght Kapalı Boy
S0821V0001P	400	60	215	155
S0821V0002P	500			
S0821V0003P	600			
S0821V0004P	700			
S0821V0005P	400			
S0821V0006P	500	80	255	175
S0821V0007P	600			
S0821V0008P	700			
S0821V0009P	400			
S0821V0010P	500	100	295	195
S0821V0011P	600			
S0821V0012P	700			
S0821V0013P	400	120	335	215
S0821V0014P	500			
S0821V0015P	600			
S0821V0016P	700			
S0821V0017P	300	140	375	235
S0821V0018P	400			
S0821V0019P	500			
S0821V0020P	600			
S0821V0021P	700			
S0821V0022P	100			
S0821V0023P	150			
S0821V0024P	200	160	415	255
S0821V0025P	250			
S0821V0026P	300			
S0821V0027P	350			
S0821V0028P	400			
S0821V0029P	450			
S0821V0030P	500			
S0821V0031P	600			
S0821V0032P	700			
S0821V0033P	100			
S0821V0034P	150			
S0821V0035P	200			
S0821V0036P	250			
S0821V0037P	300			
S0821V0038P	350			

Ref.No.	F1 ( N )	L1 Stroke Strok	L2 Extended Lenght Açık Boy	L3 Closed Lenght Kapalı Boy
S0821V0039P	400	180	455	275
S0821V0040P	450			
S0821V0041P	500			
S0821V0042P	600			
S0821V0043P	700			
S0821V0044P	100	200	495	295
S0821V0045P	150			
S0821V0046P	200			
S0821V0047P	250			
S0821V0048P	300			
S0821V0049P	350			
S0821V0050P	400			
S0821V0051P	450	220	535	315
S0821V0052P	500			
S0821V0053P	600			
S0821V0054P	700			
S0821V0055P	100			
S0821V0056P	150			
S0821V0057P	200			
S0821V0058P	250			
S0821V0059P	300			
S0821V0060P	350			
S0821V0061P	400			
S0821V0062P	450			
S0821V0063P	500			
S0821V0064P	600			
S0821V0065P	700	250	595	345
S0821V0066P	100			
S0821V0067P	150			
S0821V0068P	200			
S0821V0069P	250			
S0821V0070P	300			
S0821V0071P	350			
S0821V0072P	400			
S0821V0073P	450			
S0821V0074P	500			

GAYSAN LIFT AMORTİSÖRÜ STANDARTLARI / GAYSAN GAS SPRING LIFT STANDARDS											
STROKE STROK (mm)	25-50	51-100	101-150	151-200	201-250	251-300	301-350	351-400	401-450	451-500	501- →
DAMPENING FRENLEME (mm) 25	15	20	25	30	35	40	45	50	55	60	65
EXTENSION SPEED AÇILMA HIZI (mm/sn)	100-300										
ROD / TUBE END FITTINGS MİL / BORU BAĞLANTISI	GAYSAN END FITTING CATALOG / GAYSAN BAĞLANTI KATALOĞU										

Dimensions in mm / We reserve the right to make modifications. Ölçülerde değişiklik yapma hakkımız saklıdır.



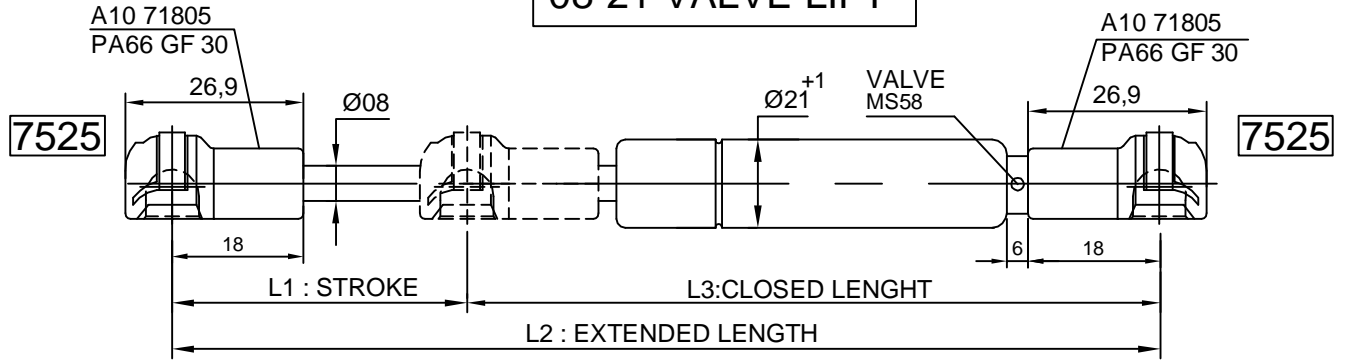
Ref.No.	F1 ( N )	L1 Stroke Strok	L2 Extended Length Açık Boy	L3 Closed Length Kapalı Boy
S0821V0101P	400			
S0821V0102P	500	60	215	155
S0821V0103P	600			
S0821V0104P	700			
S0821V0105P	400	80	255	175
S0821V0106P	500			
S0821V0107P	600			
S0821V0108P	700			
S0821V0109P	400	100	295	195
S0821V0110P	500			
S0821V0111P	600			
S0821V0112P	700			
S0821V0113P	400	120	335	215
S0821V0114P	500			
S0821V0115P	600			
S0821V0116P	700			
S0821V0117P	300	140	375	235
S0821V0118P	400			
S0821V0119P	500			
S0821V0120P	600			
S0821V0121P	700			
S0821V0122P	100	160	415	255
S0821V0123P	150			
S0821V0124P	200			
S0821V0125P	250			
S0821V0126P	300			
S0821V0127P	350			
S0821V0128P	400			
S0821V0129P	450			
S0821V0130P	500			
S0821V0131P	600			
S0821V0132P	700			
S0821V0133P	100	180	455	275
S0821V0134P	150			
S0821V0135P	200			
S0821V0136P	250			
S0821V0137P	300			
S0821V0138P	350			

Ref.No.	F1 ( N )	L1 Stroke Strok	L2 Extended Length Açık Boy	L3 Closed Length Kapalı Boy
S0821V0139P	400			
S0821V0140P	450	180	455	275
S0821V0141P	500			
S0821V0142P	600			
S0821V0143P	700			
S0821V0144P	100	200	495	295
S0821V0145P	150			
S0821V0146P	200			
S0821V0147P	250			
S0821V0148P	300			
S0821V0149P	350			
S0821V0150P	400			
S0821V0151P	450			
S0821V0152P	500			
S0821V0153P	600			
S0821V0154P	700			
S0821V0155P	100	220	535	315
S0821V0156P	150			
S0821V0157P	200			
S0821V0158P	250			
S0821V0159P	300			
S0821V0160P	350			
S0821V0161P	400			
S0821V0162P	450			
S0821V0163P	500			
S0821V0164P	600			
S0821V0165P	700			
S0821V0166P	100	250	595	345
S0821V0167P	150			
S0821V0168P	200			
S0821V0169P	250			
S0821V0170P	300			
S0821V0171P	350			
S0821V0172P	400			
S0821V0173P	450			
S0821V0174P	500			

GAYSAN LIFT AMORTİSÖRÜ STANDARTLARI / GAYSAN GAS SPRING LIFT STANDARDS											
STROKE STROK (mm)	25-50	51-100	101-150	151-200	201-250	251-300	301-350	351-400	401-450	451-500	501- →
DAMPENING FRENLEME (mm) 25	15	20	25	30	35	40	45	50	55	60	65
EXTENSION SPEED AÇILMA HIZI (mm/sn)	100-300										
ROD / TUBE END FITTINGS MİL / BORU BAĞLANTISI	GAYSAN END FITTING CATALOG / GAYSAN BAĞLANTI KATALOĞU										

Dimensions in mm / We reserve the right to make modifications. Ölçülerde değişiklik yapma hakkımız saklıdır.

## 08-21 VALVE LIFT



Ref.No.	F1 ( N )	L1 Stroke Strok	L2 Extended Length Açık Boy	L3 Closed Length Kapalı Boy
S0821V0201P	400	60	215	155
S0821V0202P	500			
S0821V0203P	600			
S0821V0204P	700			
S0821V0205P	400	80	255	175
S0821V0206P	500			
S0821V0207P	600			
S0821V0208P	700			
S0821V0209P	400	100	295	195
S0821V0210P	500			
S0821V0211P	600			
S0821V0212P	700			
S0821V0213P	400	120	335	215
S0821V0214P	500			
S0821V0215P	600			
S0821V0216P	700			
S0821V0217P	300	140	375	235
S0821V0218P	400			
S0821V0219P	500			
S0821V0220P	600			
S0821V0221P	700	160	415	255
S0821V0222P	100			
S0821V0223P	150			
S0821V0224P	200			
S0821V0225P	250			
S0821V0226P	300			
S0821V0227P	350			
S0821V0228P	400			
S0821V0229P	450			
S0821V0230P	500			
S0821V0231P	600			
S0821V0232P	700			
S0821V0233P	100	180	455	275
S0821V0234P	150			
S0821V0235P	200			
S0821V0236P	250			
S0821V0237P	300			
S0821V0238P	350			

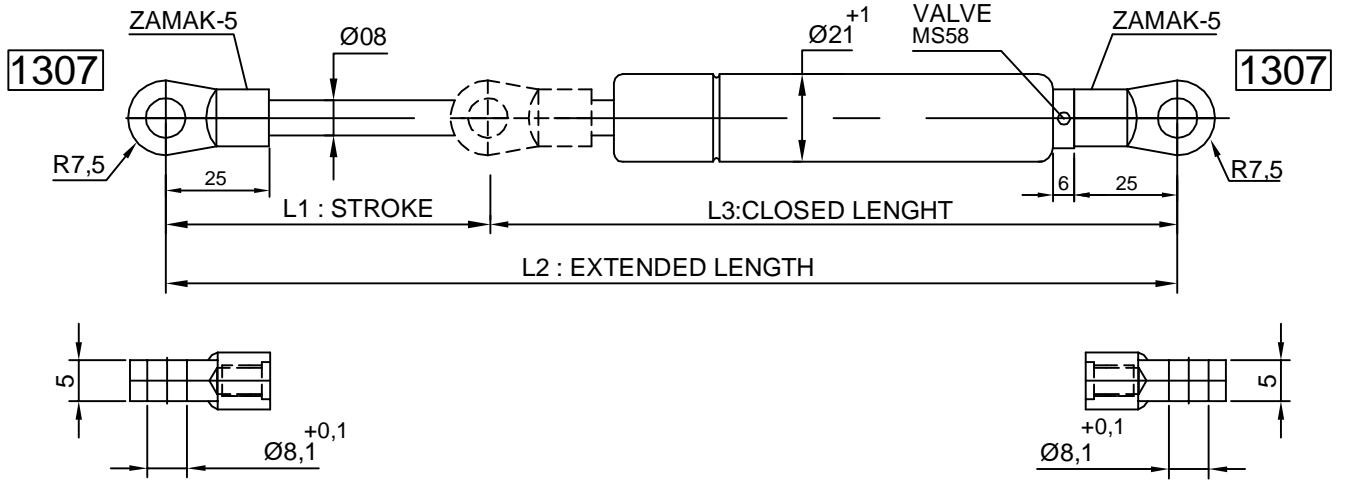
Ref.No.	F1 ( N )	L1 Stroke Strok	L2 Extended Length Açık Boy	L3 Closed Length Kapalı Boy
S0821V0239P	400	180	455	275
S0821V0240P	450			
S0821V0241P	500			
S0821V0242P	600			
S0821V0243P	700	200	495	295
S0821V0244P	100			
S0821V0245P	150			
S0821V0246P	200			
S0821V0247P	250			
S0821V0248P	300			
S0821V0249P	350			
S0821V0250P	400			
S0821V0251P	450			
S0821V0252P	500			
S0821V0253P	600			
S0821V0254P	700			
S0821V0255P	100	220	535	315
S0821V0256P	150			
S0821V0257P	200			
S0821V0258P	250			
S0821V0259P	300			
S0821V0260P	350			
S0821V0261P	400			
S0821V0262P	450			
S0821V0263P	500			
S0821V0264P	600			
S0821V0265P	700			
S0821V0266P	100			
S0821V0267P	150			
S0821V0268P	200			
S0821V0269P	250			
S0821V0270P	300			
S0821V0271P	350			
S0821V0272P	400			
S0821V0273P	450			
S0821V0274P	500			

GAYSAN LIFT AMORTİSÖRÜ STANDARTLARI / GAYSAN GAS SPRING LIFT STANDARDS											
STROKE STROK (mm)	25-50	51-100	101-150	151-200	201-250	251-300	301-350	351-400	401-450	451-500	501- →
DAMPENING FRENLEME (mm) 25	15	20	25	30	35	40	45	50	55	60	65
EXTENSION SPEED AÇILMA HIZI (mm/sn)	100-300										
ROD / TUBE END FITTINGS MİL / BORU BAĞLANTISI	GAYSAN END FITTING CATALOG / GAYSAN BAĞLANTI KATALOĞU										

Dimensions in mm / We reserve the right to make modifications. Ölçülerde değişiklik yapma hakkımız saklıdır.



## 08-21 VALVE LIFT



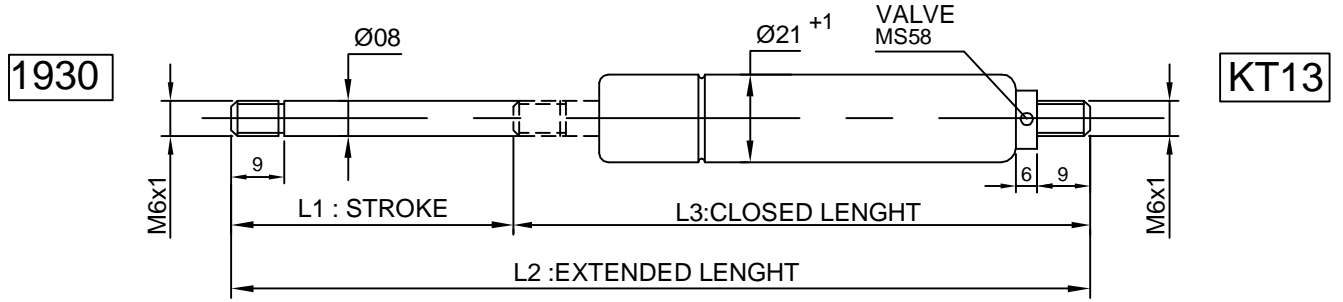
Ref.No.	F1 ( N )	L1 Stroke Strok	L2 Extended Lenght Açık Boy	L3 Closed Lenght Kapalı Boy
S0821V0001Z	500	60	230	170
S0821V0002Z	600			
S0821V0003Z	500	80	270	190
S0821V0004Z	600			
S0821V0005Z	500	100	310	210
S0821V0006Z	600			
S0821V0007Z	500	120	350	230
S0821V0008Z	600			
S0821V0009Z	400	140	390	250
S0821V0010Z	500			
S0821V0011Z	600	160	430	270
S0821V0012Z	100			
S0821V0013Z	150			
S0821V0014Z	200			
S0821V0015Z	250			
S0821V0016Z	300			
S0821V0017Z	350			
S0821V0018Z	400			
S0821V0019Z	500			
S0821V0020Z	600			
S0821V0021Z	100	180	470	290
S0821V0022Z	150			
S0821V0023Z	200			
S0821V0024Z	250			
S0821V0025Z	300			
S0821V0026Z	350			
S0821V0027Z	400			
S0821V0028Z	500			
S0821V0029Z	600			

Ref.No.	F1 ( N )	L1 Stroke Strok	L2 Extended Lenght Açık Boy	L3 Closed Lenght Kapalı Boy
S0821V0030Z	100	200	510	310
S0821V0031Z	150			
S0821V0032Z	200			
S0821V0033Z	250			
S0821V0034Z	300			
S0821V0035Z	350			
S0821V0036Z	400			
S0821V0037Z	500			
S0821V0038Z	600			
S0821V0039Z	100			
S0821V0040Z	150			
S0821V0041Z	200			
S0821V0042Z	250			
S0821V0043Z	300			
S0821V0044Z	350			
S0821V0045Z	400			
S0821V0046Z	500			
S0821V0047Z	600			
S0821V0048Z	100	250	610	360
S0821V0049Z	150			
S0821V0050Z	200			
S0821V0051Z	250			
S0821V0052Z	300			
S0821V0053Z	350			
S0821V0054Z	400			
S0821V0055Z	500			

GAYSAN LIFT AMORTİSÖRÜ STANDARTLARI / GAYSAN GAS SPRING LIFT STANDARDS											
STROKE STROK (mm)	25-50	51-100	101-150	151-200	201-250	251-300	301-350	351-400	401-450	451-500	501- →
DAMPENING FRENLEME (mm) 25	15	20	25	30	35	40	45	50	55	60	65
EXTENSION SPEED AÇILMA HIZI (mm/sn)	100-300										
ROD / TUBE END FITTINGS MİL / BORU BAĞLANTISI	GAYSAN END FITTING CATALOG / GAYSAN BAĞLANTI KATALOĞU										

Dimensions in mm / We reserve the right to make modifications. Ölçülerde değişiklik yapma hakkımız saklıdır.

## 08-21 VALVE LIFT



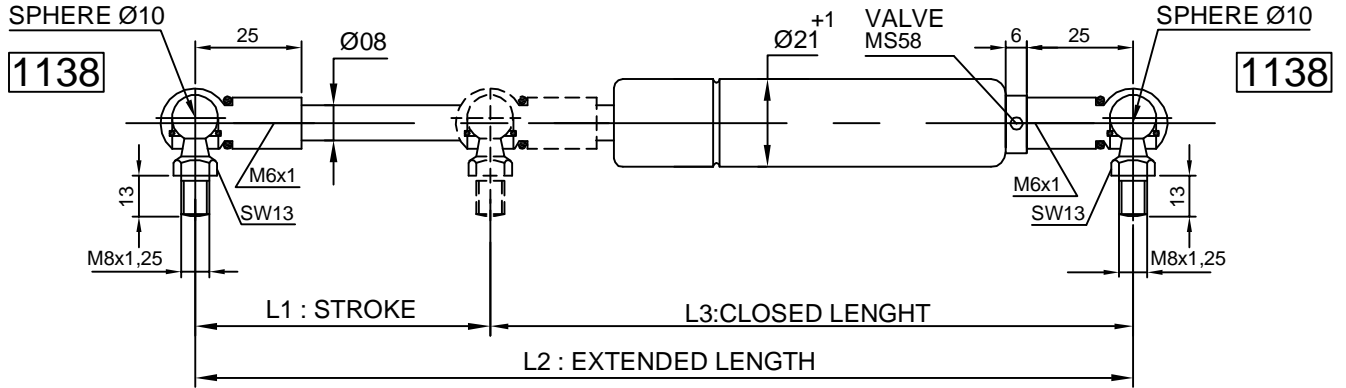
Ref.No.	F1 ( N )	L1 Stroke Strok	L2 Extended Lenght Açık Boy	L3 Closed Lenght Kapalı Boy
S0821V0001D	400	60	200	140
S0821V0002D	500			
S0821V0003D	600			
S0821V0004D	700	80	240	160
S0821V0005D	400			
S0821V0006D	500			
S0821V0007D	600	100	280	180
S0821V0008D	700			
S0821V0009D	400			
S0821V0010D	500	120	320	200
S0821V0011D	600			
S0821V0012D	700			
S0821V0013D	400	140	360	220
S0821V0014D	500			
S0821V0015D	600			
S0821V0016D	700	160	400	240
S0821V0017D	300			
S0821V0018D	400			
S0821V0019D	500	180	440	260
S0821V0020D	600			
S0821V0021D	700			
S0821V0022D	100	180	440	260
S0821V0023D	150			
S0821V0024D	200			
S0821V0025D	250	200	480	280
S0821V0026D	300			
S0821V0027D	350			
S0821V0028D	400	220	520	300
S0821V0029D	450			
S0821V0030D	500			
S0821V0031D	600	250	580	330
S0821V0032D	700			
S0821V0033D	100			
S0821V0034D	150	180	440	260
S0821V0035D	200			
S0821V0036D	250			
S0821V0037D	300	180	440	260
S0821V0038D	350			

Ref.No.	F1 ( N )	L1 Stroke Strok	L2 Extended Lenght Açık Boy	L3 Closed Lenght Kapalı Boy
S0821V0039D	400	180	440	260
S0821V0040D	450			
S0821V0041D	500			
S0821V0042D	600	200	480	280
S0821V0043D	700			
S0821V0044D	100			
S0821V0045D	150	220	520	300
S0821V0046D	200			
S0821V0047D	250			
S0821V0048D	300	250	580	330
S0821V0049D	350			
S0821V0050D	400			
S0821V0051D	450	180	440	260
S0821V0052D	500			
S0821V0053D	600			
S0821V0054D	700	200	480	280
S0821V0055D	100			
S0821V0056D	150			
S0821V0057D	200	220	520	300
S0821V0058D	250			
S0821V0059D	300			
S0821V0060D	350	250	580	330
S0821V0061D	400			
S0821V0062D	450			
S0821V0063D	500	180	440	260
S0821V0064D	600			
S0821V0065D	700			
S0821V0066D	100	200	480	280
S0821V0067D	150			
S0821V0068D	200			
S0821V0069D	250	220	520	300
S0821V0070D	300			
S0821V0071D	350			
S0821V0072D	400	250	580	330
S0821V0073D	450			
S0821V0074D	500			

GAYSAN LIFT AMORTİSÖRÜ STANDARTLARI / GAYSAN GAS SPRING LIFT STANDARDS											
STROKE STROK (mm)	25-50	51-100	101-150	151-200	201-250	251-300	301-350	351-400	401-450	451-500	501- →
DAMPENING FRENLEME (mm) 25	15	20	25	30	35	40	45	50	55	60	65
EXTENSION SPEED AÇILMA HIZI (mm/sn)	100-300										
ROD / TUBE END FITTINGS MİL / BORU BAĞLANTIŞI	GAYSAN END FITTING CATALOG / GAYSAN BAĞLANTI KATALOĞU										

Dimensions in mm / We reserve the right to make modifications. Ölçülerde değişiklik yapma hakkımız saklıdır.

## 08-21 VALVE LIFT



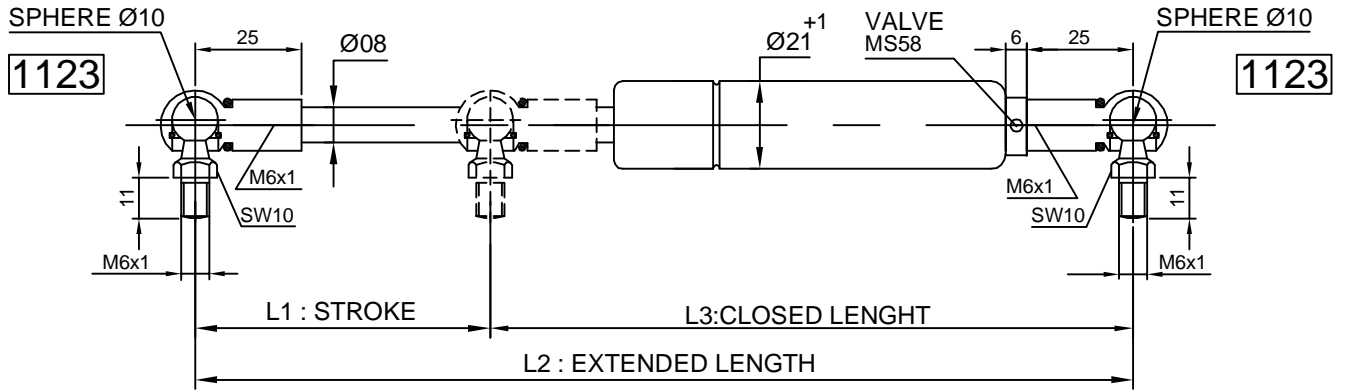
Ref.No.	F1 ( N )	L1 Stroke Strok	L2 Extended Lenght Açık Boy	L3 Closed Lenght Kapalı Boy			
S0821V0001M	500	60	230	170			
S0821V0002M	600						
S0821V0003M	500	80	270	190			
S0821V0004M	600						
S0821V0005M	500	100	310	210			
S0821V0006M	600						
S0821V0007M	500	120	350	230			
S0821V0008M	600						
S0821V0009M	400	140	390	250			
S0821V0010M	500						
S0821V0011M	600	160	430	270			
S0821V0012M	100						
S0821V0013M	150						
S0821V0014M	200						
S0821V0015M	250						
S0821V0016M	300						
S0821V0017M	350						
S0821V0018M	400						
S0821V0019M	500						
S0821V0020M	600						
S0821V0021M	100				180	470	290
S0821V0022M	150						
S0821V0023M	200						
S0821V0024M	250						
S0821V0025M	300						
S0821V0026M	350						
S0821V0027M	400						
S0821V0028M	500						
S0821V0029M	600						

Ref.No.	F1 ( N )	L1 Stroke Strok	L2 Extended Lenght Açık Boy	L3 Closed Lenght Kapalı Boy
S0821V0030M	100	200	510	310
S0821V0031M	150			
S0821V0032M	200			
S0821V0033M	250			
S0821V0034M	300			
S0821V0035M	350			
S0821V0036M	400			
S0821V0037M	500			
S0821V0038M	600			
S0821V0039M	100	220	550	330
S0821V0040M	150			
S0821V0041M	200			
S0821V0042M	250			
S0821V0043M	300			
S0821V0044M	350			
S0821V0045M	400			
S0821V0046M	500			
S0821V0047M	600			
S0821V0048M	100	250	610	360
S0821V0049M	150			
S0821V0050M	200			
S0821V0051M	250			
S0821V0052M	300			
S0821V0053M	350			
S0821V0054M	400			
S0821V0055M	500			

GAYSAN LIFT AMORTİSÖRÜ STANDARTLARI / GAYSAN GAS SPRING LIFT STANDARDS											
STROKE STROK (mm)	25-50	51-100	101-150	151-200	201-250	251-300	301-350	351-400	401-450	451-500	501- →
DAMPENING FRENLEME (mm) 25	15	20	25	30	35	40	45	50	55	60	65
EXTENSION SPEED AÇILMA HIZI (mm/sn)	100-300										
ROD / TUBE END FITTINGS MİL / BORU BAĞLANTISI	GAYSAN END FITTING CATALOG / GAYSAN BAĞLANTI KATALOĞU										

Dimensions in mm / We reserve the right to make modifications. Ölçülerde değişiklik yapma hakkımız saklıdır.

## 08-21 VALVE LIFT



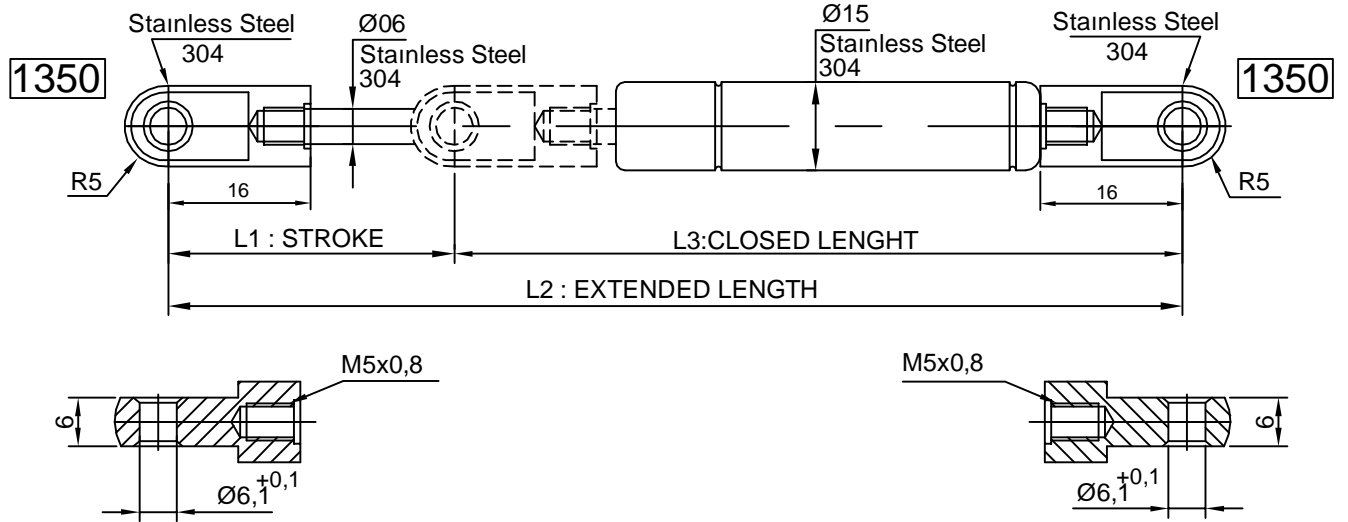
Ref.No.	F1 ( N )	L1 Stroke Strok	L2 Extended Lenght Açık Boy	L3 Closed Lenght Kapalı Boy			
S0821V0101M	500	60	230	170			
S0821V0102M	600						
S0821V0103M	500	80	270	190			
S0821V0104M	600						
S0821V0105M	500	100	310	210			
S0821V0106M	600						
S0821V0107M	500	120	350	230			
S0821V0108M	600						
S0821V0109M	400	140	390	250			
S0821V0110M	500						
S0821V0111M	600	160	430	270			
S0821V0112M	100						
S0821V0113M	150						
S0821V0114M	200						
S0821V0115M	250						
S0821V0116M	300						
S0821V0117M	350						
S0821V0118M	400						
S0821V0119M	500						
S0821V0120M	600						
S0821V0121M	100				180	470	290
S0821V0122M	150						
S0821V0123M	200						
S0821V0124M	250						
S0821V0125M	300						
S0821V0126M	350						
S0821V0127M	400						
S0821V0128M	500						
S0821V0129M	600						

Ref.No.	F1 ( N )	L1 Stroke Strok	L2 Extended Lenght Açık Boy	L3 Closed Lenght Kapalı Boy
S0821V0130M	100	200	510	310
S0821V0131M	150			
S0821V0132M	200			
S0821V0133M	250			
S0821V0134M	300			
S0821V0135M	350			
S0821V0136M	400	220	550	330
S0821V0137M	500			
S0821V0138M	600			
S0821V0139M	100			
S0821V0140M	150			
S0821V0141M	200			
S0821V0142M	250			
S0821V0143M	300			
S0821V0144M	350			
S0821V0145M	400			
S0821V0146M	500			
S0821V0147M	600			
S0821V0148M	100			
S0821V0149M	150			
S0821V0150M	200			
S0821V0151M	250			
S0821V0152M	300			
S0821V0153M	350			
S0821V0154M	400			
S0821V0155M	500			

GAYSAN LIFT AMORTİSÖRÜ STANDARTLARI / GAYSAN GAS SPRING LIFT STANDARDS											
STROKE STROK (mm)	25-50	51-100	101-150	151-200	201-250	251-300	301-350	351-400	401-450	451-500	501- →
DAMPENING FRENLEME (mm) 25	15	20	25	30	35	40	45	50	55	60	65
EXTENSION SPEED AÇILMA HIZI (mm/sn)	100-300										
ROD / TUBE END FITTINGS MİL / BORU BAĞLANTISI	GAYSAN END FITTING CATALOG / GAYSAN BAĞLANTI KATALOĞU										

Dimensions in mm / We reserve the right to make modifications. Ölçülerde değişiklik yapma hakkımız saklıdır.

## 06-15 STAINLESS STEEL LIFT



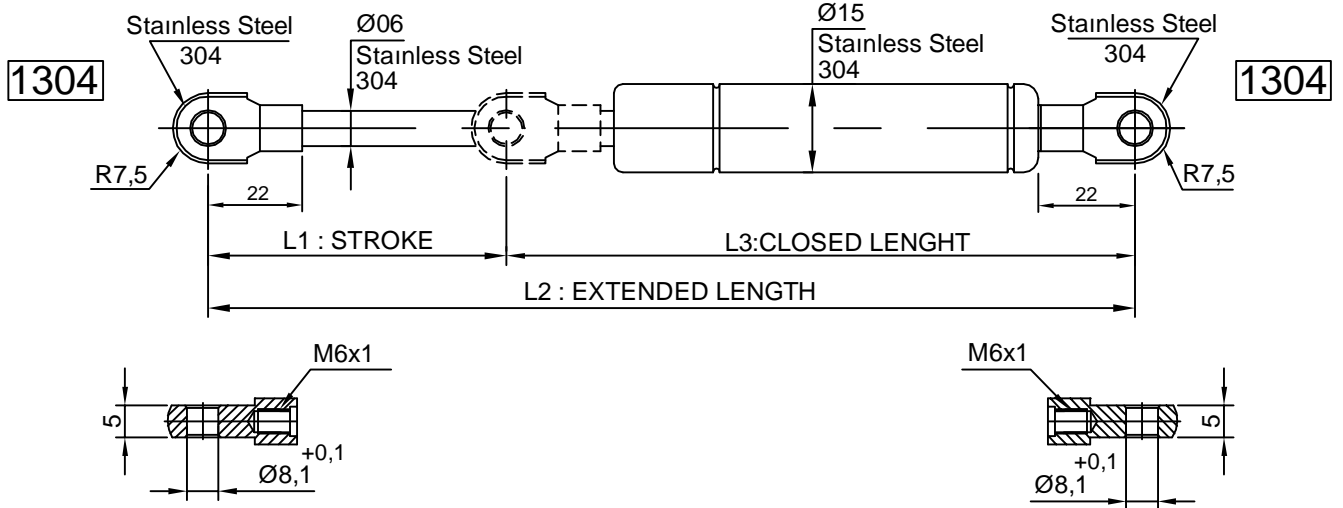
Ref.No.	F1 ( N )	L1 Stroke Strok	L2 Extended Lenght Açık Boy	L3 Closed Lenght Kapalı Boy
S0615P0001M	50	20	125	105
S0615P0002M	100			
S0615P0003M	150			
S0615P0004M	200			
S0615P0005M	250			
S0615P0006M	300			
S0615P0007M	350			
S0615P0008M	400			
S0615P0009M	50			
S0615P0010M	100			
S0615P0011M	150			
S0615P0012M	200			
S0615P0013M	250			
S0615P0014M	300			
S0615P0015M	350			
S0615P0016M	400			
S0615P0017M	50	60	205	145
S0615P0018M	100			
S0615P0019M	150			
S0615P0020M	200			
S0615P0021M	250			
S0615P0022M	300			
S0615P0023M	350			
S0615P0024M	400			
S0615P0025M	50			
S0615P0026M	100			
S0615P0027M	150			
S0615P0028M	200			
S0615P0029M	250			
S0615P0030M	300			
S0615P0031M	350			
S0615P0032M	400			

Ref.No.	F1 ( N )	L1 Stroke Strok	L2 Extended Lenght Açık Boy	L3 Closed Lenght Kapalı Boy
S0615P0033M	50	100	285	185
S0615P0034M	100			
S0615P0035M	150			
S0615P0036M	200			
S0615P0037M	250			
S0615P0038M	300			
S0615P0039M	350			
S0615P0040M	400			
S0615P0041M	50			
S0615P0042M	100			
S0615P0043M	150			
S0615P0044M	200			
S0615P0045M	250			
S0615P0046M	300			
S0615P0047M	350			
S0615P0048M	400			
S0615P0049M	50	150	385	235
S0615P0050M	100			
S0615P0051M	150			
S0615P0052M	200			
S0615P0053M	250			
S0615P0054M	300			
S0615P0055M	350			

GAYSAN LIFT AMORTİSÖRÜ STANDARTLARI / GAYSAN GAS SPRING LIFT STANDARDS											
STROKE STROK (mm)	25-50	51-100	101-150	151-200	201-250	251-300	301-350	351-400	401-450	451-500	501-→
DAMPENING FRENLEME (mm) ±5	15	20	25	30	35	40	45	50	55	60	65
EXTENSION SPEED AÇILMA HIZI (mm/sn)	100-300										
ROD / TUBE END FITTINGS MIL / BORU BAĞLANTISI	GAYSAN END FITTING CATALOG / GAYSAN BAĞLANTI KATALOĞU										

Dimensions in mm / We reserve the right to make modifications. Ölçülerde değişiklik yapma hakkımız saklıdır.

## 06-15 STAINLESS STEEL LIFT



Ref.No.	F1 ( N )	L1 Stroke Strok	L2 Extended Lenght Açık Boy	L3 Closed Lenght Kapalı Boy
S0615P0101M	50	20	130	110
S0615P0102M	100			
S0615P0103M	150			
S0615P0104M	200			
S0615P0105M	250			
S0615P0106M	300			
S0615P0107M	350			
S0615P0108M	400			
S0615P0109M	50			
S0615P0110M	100			
S0615P0111M	150			
S0615P0112M	200			
S0615P0113M	250			
S0615P0114M	300			
S0615P0115M	350			
S0615P0116M	400			
S0615P0117M	50	60	210	150
S0615P0118M	100			
S0615P0119M	150			
S0615P0120M	200			
S0615P0121M	250			
S0615P0122M	300			
S0615P0123M	350			
S0615P0124M	400			
S0615P0125M	50			
S0615P0126M	100			
S0615P0127M	150			
S0615P0128M	200			
S0615P0129M	250			
S0615P0130M	300			
S0615P0131M	350			
S0615P0132M	400			

Ref.No.	F1 ( N )	L1 Stroke Strok	L2 Extended Lenght Açık Boy	L3 Closed Lenght Kapalı Boy
S0615P0133M	50	100	290	190
S0615P0134M	100			
S0615P0135M	150			
S0615P0136M	200			
S0615P0137M	250			
S0615P0138M	300			
S0615P0139M	350			
S0615P0140M	400			
S0615P0141M	50			
S0615P0142M	100			
S0615P0143M	150			
S0615P0144M	200			
S0615P0145M	250			
S0615P0146M	300			
S0615P0147M	350			
S0615P0148M	400			
S0615P0149M	50	150	390	240
S0615P0150M	100			
S0615P0151M	150			
S0615P0152M	200			
S0615P0153M	250			
S0615P0154M	300			
S0615P0155M	350			

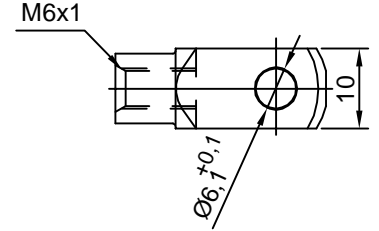
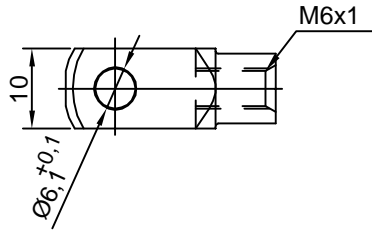
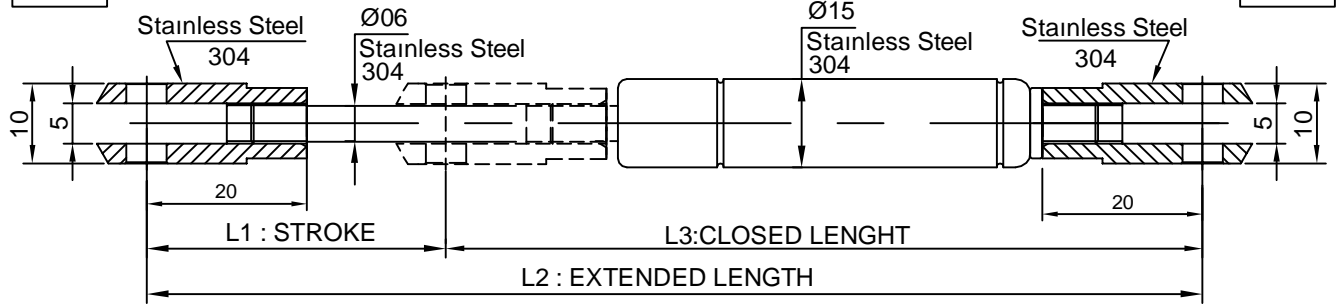
GAYSAN LIFT AMORTİSÖRÜ STANDARTLARI / GAYSAN GAS SPRING LIFT STANDARDS											
STROKE STROK (mm)	25-50	51-100	101-150	151-200	201-250	251-300	301-350	351-400	401-450	451-500	501-→
DAMPENING FRENLEME (mm) ±5	15	20	25	30	35	40	45	50	55	60	65
EXTENSION SPEED AÇILMA HIZI (mm/sn)	100-300										
ROD / TUBE END FITTINGS MIL / BORU BAĞLANTISI	GAYSAN END FITTING CATALOG / GAYSAN BAĞLANTI KATALOĞU										

Dimensions in mm / We reserve the right to make modifications. Ölçülerde değişiklik yapma hakkımız saklıdır.

## 06-15 STAINLESS STEEL LIFT

2222

2222



Ref.No.	F1 ( N )	L1 Stroke Strok	L2 Extended Lenght Açık Boy	L3 Closed Lenght Kapalı Boy
S0615P0201M	50	20	130	110
S0615P0202M	100			
S0615P0203M	150			
S0615P0204M	200			
S0615P0205M	250			
S0615P0206M	300			
S0615P0207M	350			
S0615P0208M	400			
S0615P0209M	50			
S0615P0210M	100			
S0615P0211M	150			
S0615P0212M	200			
S0615P0213M	250			
S0615P0214M	300			
S0615P0215M	350			
S0615P0216M	400			
S0615P0217M	50	60	210	150
S0615P0218M	100			
S0615P0219M	150			
S0615P0220M	200			
S0615P0221M	250			
S0615P0222M	300			
S0615P0223M	350			
S0615P0224M	400			
S0615P0225M	50			
S0615P0226M	100			
S0615P0227M	150			
S0615P0228M	200			
S0615P0229M	250			
S0615P0230M	300			
S0615P0231M	350			
S0615P0232M	400			

Ref.No.	F1 ( N )	L1 Stroke Strok	L2 Extended Lenght Açık Boy	L3 Closed Lenght Kapalı Boy
S0615P0233M	50	100	290	190
S0615P0234M	100			
S0615P0235M	150			
S0615P0236M	200			
S0615P0237M	250			
S0615P0238M	300			
S0615P0239M	350			
S0615P0240M	400			
S0615P0241M	50			
S0615P0242M	100			
S0615P0243M	150			
S0615P0244M	200			
S0615P0245M	250			
S0615P0246M	300			
S0615P0247M	350			
S0615P0248M	400			
S0615P0249M	50	150	390	240
S0615P0250M	100			
S0615P0251M	150			
S0615P0252M	200			
S0615P0253M	250			
S0615P0254M	300			
S0615P0255M	350			

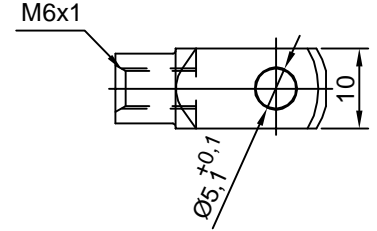
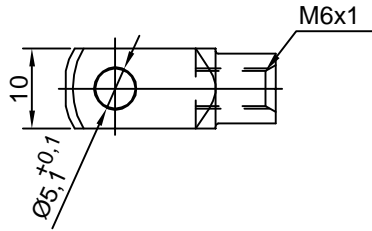
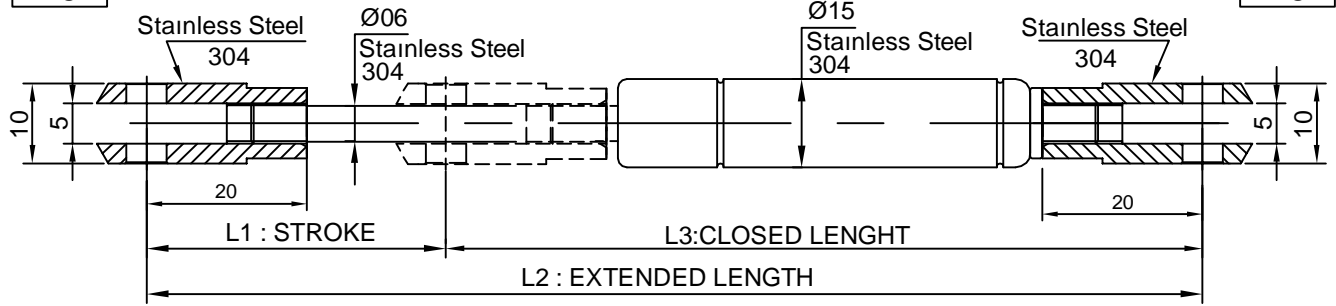
GAYSAN LIFT AMORTİSÖRÜ STANDARTLARI / GAYSAN GAS SPRING LIFT STANDARDS											
STROKE STROK (mm)	25-50	51-100	101-150	151-200	201-250	251-300	301-350	351-400	401-450	451-500	501-→
DAMPENING FRENLEME (mm) ±5	15	20	25	30	35	40	45	50	55	60	65
EXTENSION SPEED AÇILMA HIZI (mm/sn)	100-300										
ROD / TUBE END FITTINGS MIL / BORU BAĞLANTISI	GAYSAN END FITTING CATALOG / GAYSAN BAĞLANTI KATALOĞU										

Dimensions in mm / We reserve the right to make modifications. Ölçülerde değişiklik yapma hakkımız saklıdır.

## 06-15 STAINLESS STEEL LIFT

2204

2204



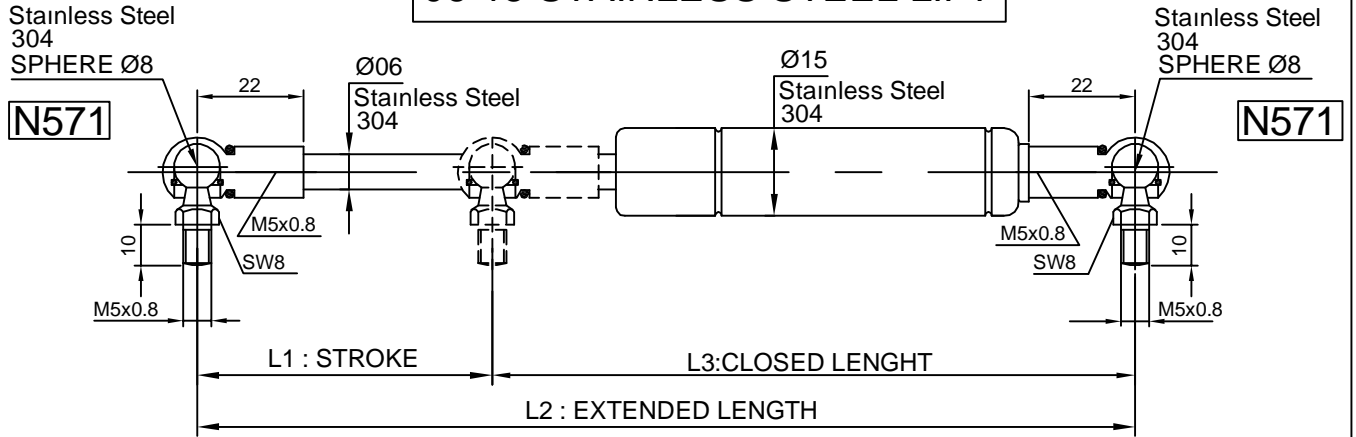
Ref.No.	F1 ( N )	L1 Stroke Strok	L2 Extended Lenght Açık Boy	L3 Closed Lenght Kapalı Boy			
S0615P0301M	50	20	130	110			
S0615P0302M	100						
S0615P0303M	150						
S0615P0304M	200						
S0615P0305M	250						
S0615P0306M	300						
S0615P0307M	350						
S0615P0308M	400						
S0615P0309M	50						
S0615P0310M	100	40	170	130			
S0615P0311M	150						
S0615P0312M	200						
S0615P0313M	250						
S0615P0314M	300						
S0615P0315M	350						
S0615P0316M	400						
S0615P0317M	50	60	210	150			
S0615P0318M	100						
S0615P0319M	150						
S0615P0320M	200						
S0615P0321M	250						
S0615P0322M	300						
S0615P0323M	350						
S0615P0324M	400						
S0615P0325M	50				80	250	170
S0615P0326M	100						
S0615P0327M	150						
S0615P0328M	200						
S0615P0329M	250						
S0615P0330M	300						
S0615P0331M	350						
S0615P0332M	400						

Ref.No.	F1 ( N )	L1 Stroke Strok	L2 Extended Lenght Açık Boy	L3 Closed Lenght Kapalı Boy
S0615P0333M	50	100	290	190
S0615P0334M	100			
S0615P0335M	150			
S0615P0336M	200			
S0615P0337M	250			
S0615P0338M	300			
S0615P0339M	350			
S0615P0340M	400			
S0615P0341M	50			
S0615P0342M	100			
S0615P0343M	150			
S0615P0344M	200			
S0615P0345M	250			
S0615P0346M	300			
S0615P0347M	350			
S0615P0348M	400	150	390	240
S0615P0349M	50			
S0615P0350M	100			
S0615P0351M	150			
S0615P0352M	200			
S0615P0353M	250			
S0615P0354M	300			
S0615P0355M	350			

GAYSAN LIFT AMORTİSÖRÜ STANDARTLARI / GAYSAN GAS SPRING LIFT STANDARDS											
STROKE STROK (mm)	25-50	51-100	101-150	151-200	201-250	251-300	301-350	351-400	401-450	451-500	501-→
DAMPENING FRENLEME (mm) ±5	15	20	25	30	35	40	45	50	55	60	65
EXTENSION SPEED AÇILMA HIZI (mm/sn)	100-300										
ROD / TUBE END FITTINGS MIL / BORU BAĞLANTISI	GAYSAN END FITTING CATALOG / GAYSAN BAĞLANTI KATALOĞU										

Dimensions in mm / We reserve the right to make modifications. Ölçülerde değişiklik yapma hakkımız saklıdır.

## 06-15 STAINLESS STEEL LIFT



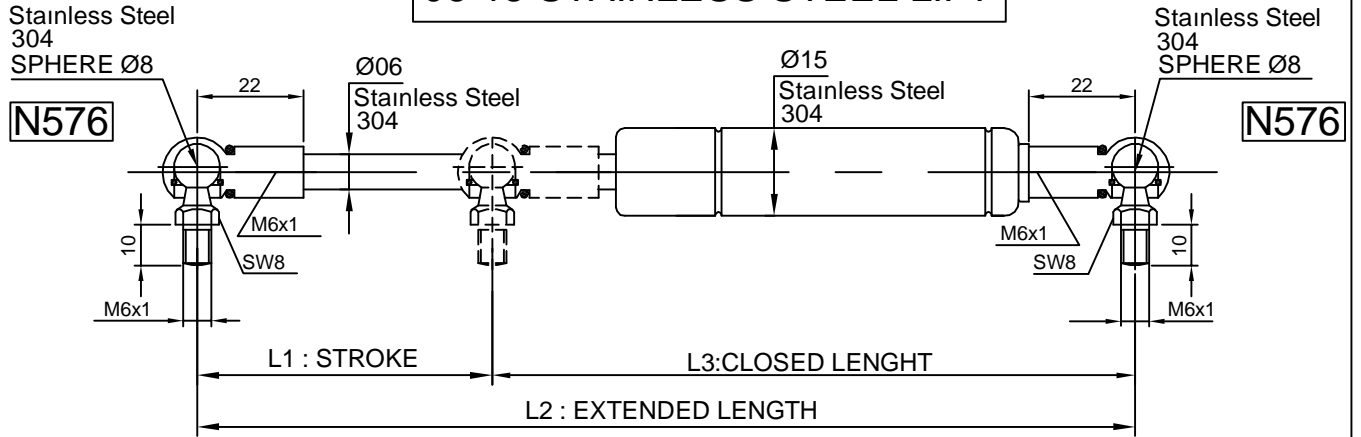
Ref.No.	F1 ( N )	L1 Stroke Strok	L2 Extended Lenght Açık Boy	L3 Closed Lenght Kapalı Boy
S0615P0401M	50	20	130	110
S0615P0402M	100			
S0615P0403M	150			
S0615P0404M	200			
S0615P0405M	250			
S0615P0406M	300			
S0615P0407M	350			
S0615P0408M	400			
S0615P0409M	50			
S0615P0410M	100	40	170	130
S0615P0411M	150			
S0615P0412M	200			
S0615P0413M	250			
S0615P0414M	300			
S0615P0415M	350			
S0615P0416M	400			
S0615P0417M	50			
S0615P0418M	100			
S0615P0419M	150			
S0615P0420M	200			
S0615P0421M	250			
S0615P0422M	300			
S0615P0423M	350			
S0615P0424M	400			
S0615P0425M	50			
S0615P0426M	100	80	250	170
S0615P0427M	150			
S0615P0428M	200			
S0615P0429M	250			
S0615P0430M	300			
S0615P0431M	350			
S0615P0432M	400			

Ref.No.	F1 ( N )	L1 Stroke Strok	L2 Extended Lenght Açık Boy	L3 Closed Lenght Kapalı Boy
S0615P0433M	50	100	290	190
S0615P0434M	100			
S0615P0435M	150			
S0615P0436M	200			
S0615P0437M	250			
S0615P0438M	300			
S0615P0439M	350			
S0615P0440M	400			
S0615P0441M	50			
S0615P0442M	100			
S0615P0443M	150			
S0615P0444M	200			
S0615P0445M	250			
S0615P0446M	300			
S0615P0447M	350			
S0615P0448M	400			
S0615P0449M	50	150	390	240
S0615P0450M	100			
S0615P0451M	150			
S0615P0452M	200			
S0615P0453M	250			
S0615P0454M	300			
S0615P0455M	350			

GAYSAN LIFT AMORTİSÖRÜ STANDARTLARI / GAYSAN GAS SPRING LIFT STANDARDS											
STROKE STROK (mm)	25-50	51-100	101-150	151-200	201-250	251-300	301-350	351-400	401-450	451-500	501-→
DAMPENING FRENLEME (mm) ±5	15	20	25	30	35	40	45	50	55	60	65
EXTENSION SPEED AÇILMA HIZI (mm/sn)	100-300										
ROD / TUBE END FITTINGS MIL / BORU BAĞLANTISI	GAYSAN END FITTING CATALOG / GAYSAN BAĞLANTI KATALOĞU										

Dimensions in mm / We reserve the right to make modifications. Ölçülerde değişiklik yapma hakkımız saklıdır.

## 06-15 STAINLESS STEEL LIFT



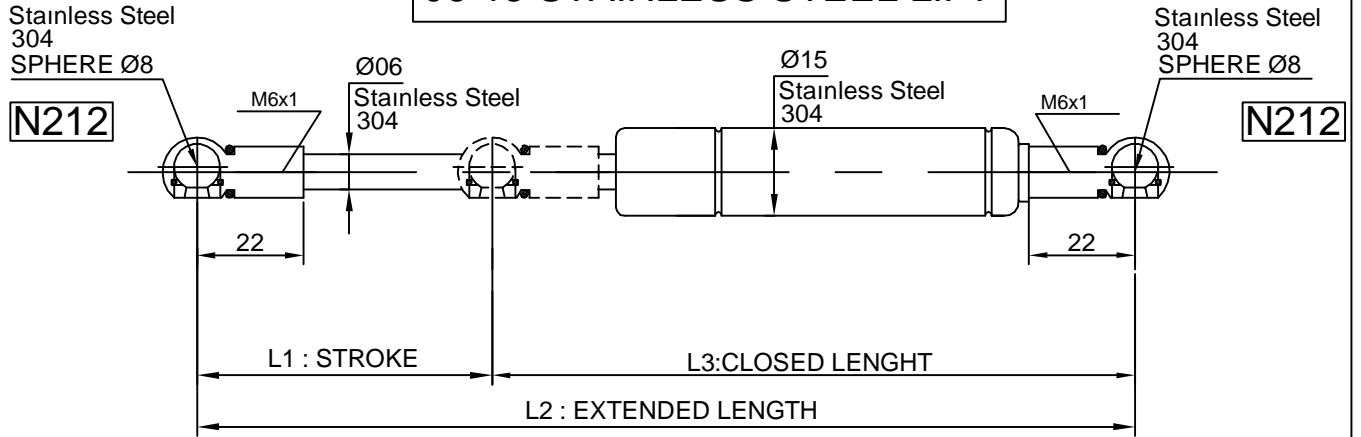
Ref.No.	F1 ( N )	L1 Stroke Strok	L2 Extended Length Açık Boy	L3 Closed Length Kapalı Boy
S0615P0501M	50	20	130	110
S0615P0502M	100			
S0615P0503M	150			
S0615P0504M	200			
S0615P0505M	250			
S0615P0506M	300			
S0615P0507M	350			
S0615P0508M	400			
S0615P0509M	50			
S0615P0510M	100	40	170	130
S0615P0511M	150			
S0615P0512M	200			
S0615P0513M	250			
S0615P0514M	300			
S0615P0515M	350			
S0615P0516M	400			
S0615P0517M	50			
S0615P0518M	100			
S0615P0519M	150	60	210	150
S0615P0520M	200			
S0615P0521M	250			
S0615P0522M	300			
S0615P0523M	350			
S0615P0524M	400			
S0615P0525M	50			
S0615P0526M	100			
S0615P0527M	150			
S0615P0528M	200	80	250	170
S0615P0529M	250			
S0615P0530M	300			
S0615P0531M	350			
S0615P0532M	400			

Ref.No.	F1 ( N )	L1 Stroke Strok	L2 Extended Length Açık Boy	L3 Closed Length Kapalı Boy
S0615P0533M	50	100	290	190
S0615P0534M	100			
S0615P0535M	150			
S0615P0536M	200			
S0615P0537M	250			
S0615P0538M	300			
S0615P0539M	350			
S0615P0540M	400			
S0615P0541M	50			
S0615P0542M	100			
S0615P0543M	150			
S0615P0544M	200			
S0615P0545M	250			
S0615P0546M	300			
S0615P0547M	350			
S0615P0548M	400			
S0615P0549M	50	150	390	240
S0615P0550M	100			
S0615P0551M	150			
S0615P0552M	200			
S0615P0553M	250			
S0615P0554M	300			
S0615P0555M	350			

GAYSAN LIFT AMORTİSÖRÜ STANDARTLARI / GAYSAN GAS SPRING LIFT STANDARDS											
STROKE STROK (mm)	25-50	51-100	101-150	151-200	201-250	251-300	301-350	351-400	401-450	451-500	501-→
DAMPENING FRENLEME (mm) ±5	15	20	25	30	35	40	45	50	55	60	65
EXTENSION SPEED AÇILMA HIZI (mm/sn)	100-300										
ROD / TUBE END FITTINGS MIL / BORU BAĞLANTISI	GAYSAN END FITTING CATALOG / GAYSAN BAĞLANTI KATALOĞU										

Dimensions in mm / We reserve the right to make modifications. Ölçülerde değişiklik yapma hakkımız saklıdır.

## 06-15 STAINLESS STEEL LIFT



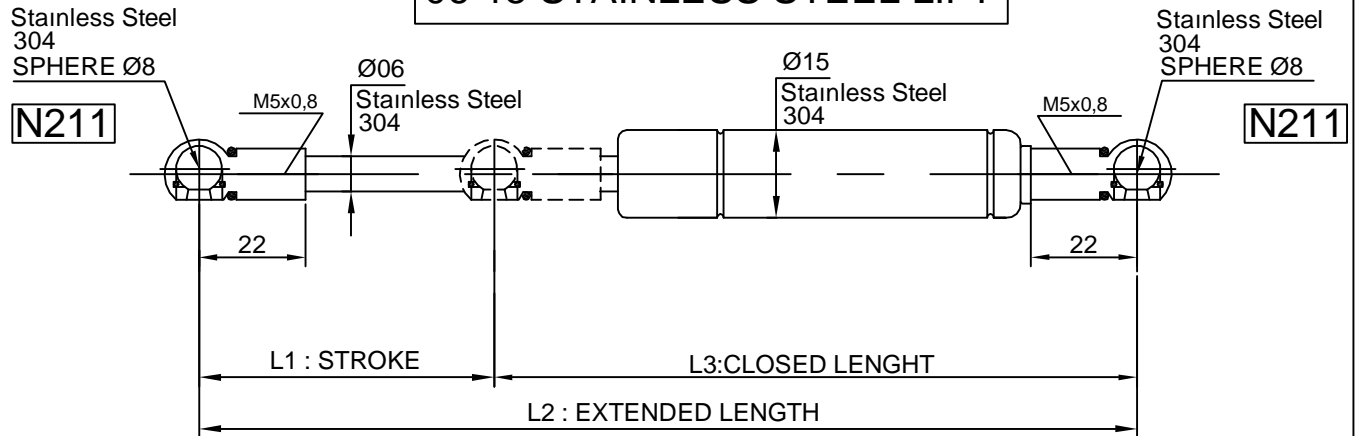
Ref.No.	F1 ( N )	L1 Stroke Strok	L2 Extended Lenght Açık Boy	L3 Closed Lenght Kapalı Boy
S0615P0601M	50	20	130	110
S0615P0602M	100			
S0615P0603M	150			
S0615P0604M	200			
S0615P0605M	250			
S0615P0606M	300			
S0615P0607M	350			
S0615P0608M	400			
S0615P0609M	50	40	170	130
S0615P0610M	100			
S0615P0611M	150			
S0615P0612M	200			
S0615P0613M	250			
S0615P0614M	300			
S0615P0615M	350			
S0615P0616M	400			
S0615P0617M	50	60	210	150
S0615P0618M	100			
S0615P0619M	150			
S0615P0620M	200			
S0615P0621M	250			
S0615P0622M	300			
S0615P0623M	350			
S0615P0624M	400			
S0615P0625M	50	80	250	170
S0615P0626M	100			
S0615P0627M	150			
S0615P0628M	200			
S0615P0629M	250			
S0615P0630M	300			
S0615P0631M	350			
S0615P0632M	400			

Ref.No.	F1 ( N )	L1 Stroke Strok	L2 Extended Lenght Açık Boy	L3 Closed Lenght Kapalı Boy
S0615P0633M	50	100	290	190
S0615P0634M	100			
S0615P0635M	150			
S0615P0636M	200			
S0615P0637M	250			
S0615P0638M	300			
S0615P0639M	350			
S0615P0640M	400			
S0615P0641M	50	120	330	210
S0615P0642M	100			
S0615P0643M	150			
S0615P0644M	200			
S0615P0645M	250			
S0615P0646M	300			
S0615P0647M	350			
S0615P0648M	400			
S0615P0649M	50	150	390	240
S0615P0650M	100			
S0615P0651M	150			
S0615P0652M	200			
S0615P0653M	250			
S0615P0654M	300			
S0615P0655M	350			

GAYSAN LIFT AMORTİSÖRÜ STANDARTLARI / GAYSAN GAS SPRING LIFT STANDARDS												
STROKE STROK (mm)	25-50	51-100	101-150	151-200	201-250	251-300	301-350	351-400	401-450	451-500	501-→	
DAMPENING FRENLEME (mm) ±5	15	20	25	30	35	40	45	50	55	60	65	
EXTENSION SPEED AÇILMA HIZI (mm/sn)	100-300											
ROD / TUBE END FITTINGS MIL / BORU BAĞLANTISI	GAYSAN END FITTING CATALOG / GAYSAN BAĞLANTI KATALOĞU											

Dimensions in mm / We reserve the right to make modifications. Ölçülerde değişiklik yapma hakkımız saklıdır.

## 06-15 STAINLESS STEEL LIFT



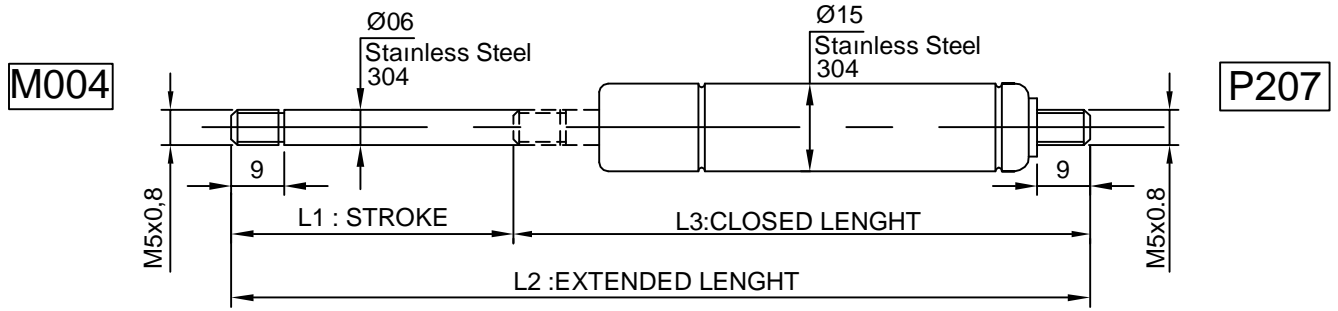
Ref.No.	F1 ( N )	L1 Stroke Strok	L2 Extended Lenght Açık Boy	L3 Closed Lenght Kapalı Boy
S0615P0701M	50	20	130	110
S0615P0702M	100			
S0615P0703M	150			
S0615P0704M	200			
S0615P0705M	250			
S0615P0706M	300			
S0615P0707M	350			
S0615P0708M	400			
S0615P0709M	50	40	170	130
S0615P0710M	100			
S0615P0711M	150			
S0615P0712M	200			
S0615P0713M	250			
S0615P0714M	300			
S0615P0715M	350			
S0615P0716M	400			
S0615P0717M	50	60	210	150
S0615P0718M	100			
S0615P0719M	150			
S0615P0720M	200			
S0615P0721M	250			
S0615P0722M	300			
S0615P0723M	350			
S0615P0724M	400			
S0615P0725M	50	80	250	170
S0615P0726M	100			
S0615P0727M	150			
S0615P0728M	200			
S0615P0729M	250			
S0615P0730M	300			
S0615P0731M	350			
S0615P0732M	400			

Ref.No.	F1 ( N )	L1 Stroke Strok	L2 Extended Lenght Açık Boy	L3 Closed Lenght Kapalı Boy
S0615P0733M	50	100	290	190
S0615P0734M	100			
S0615P0735M	150			
S0615P0736M	200			
S0615P0737M	250			
S0615P0738M	300			
S0615P0739M	350			
S0615P0740M	400			
S0615P0741M	50	120	330	210
S0615P0742M	100			
S0615P0743M	150			
S0615P0744M	200			
S0615P0745M	250			
S0615P0746M	300			
S0615P0747M	350			
S0615P0748M	400			
S0615P0749M	50	150	390	240
S0615P0750M	100			
S0615P0751M	150			
S0615P0752M	200			
S0615P0753M	250			
S0615P0754M	300			
S0615P0755M	350			

GAYSAN LIFT AMORTİSÖRÜ STANDARTLARI / GAYSAN GAS SPRING LIFT STANDARDS												
STROKE STROK (mm)	25-50	51-100	101-150	151-200	201-250	251-300	301-350	351-400	401-450	451-500	501-→	
DAMPENING FRENLEME (mm) ±5	15	20	25	30	35	40	45	50	55	60	65	
EXTENSION SPEED AÇILMA HIZI (mm/sn)	100-300											
ROD / TUBE END FITTINGS MIL / BORU BAĞLANTISI	GAYSAN END FITTING CATALOG / GAYSAN BAĞLANTI KATALOĞU											

Dimensions in mm / We reserve the right to make modifications. Ölçülerde değişiklik yapma hakkımız saklıdır.

## 06-15 STAINLESS STEEL LIFT



Ref.No.	F1 ( N )	L1 Stroke Strok	L2 Extended Lenght Açık Boy	L3 Closed Lenght Kapalı Boy
S0615P0001D	50	20	105	85
S0615P0002D	100			
S0615P0003D	150			
S0615P0004D	200			
S0615P0005D	250			
S0615P0006D	300			
S0615P0007D	350			
S0615P0008D	400			
S0615P0009D	50			
S0615P0010D	100	40	145	105
S0615P0011D	150			
S0615P0012D	200			
S0615P0013D	250			
S0615P0014D	300			
S0615P0015D	350			
S0615P0016D	400			
S0615P0017D	50			
S0615P0018D	100			
S0615P0019D	150			
S0615P0020D	200			
S0615P0021D	250			
S0615P0022D	300			
S0615P0023D	350			
S0615P0024D	400			
S0615P0025D	50			
S0615P0026D	100	80	225	145
S0615P0027D	150			
S0615P0028D	200			
S0615P0029D	250			
S0615P0030D	300			
S0615P0031D	350			
S0615P0032D	400			

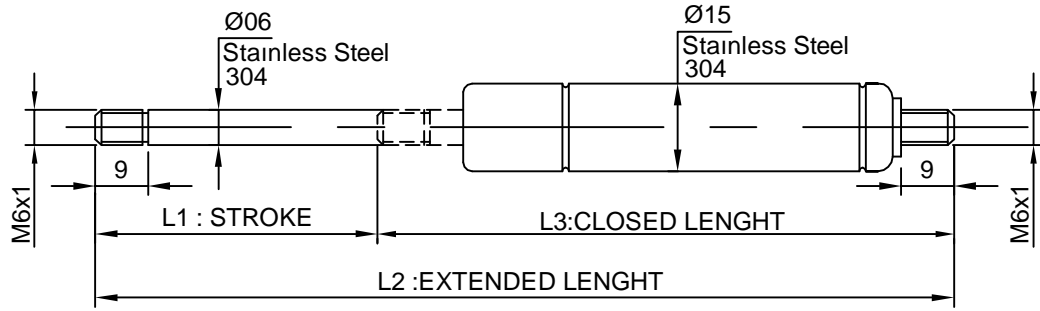
Ref.No.	F1 ( N )	L1 Stroke Strok	L2 Extended Lenght Açık Boy	L3 Closed Lenght Kapalı Boy
S0615P0033D	50	100	265	165
S0615P0034D	100			
S0615P0035D	150			
S0615P0036D	200			
S0615P0037D	250			
S0615P0038D	300			
S0615P0039D	350			
S0615P0040D	400			
S0615P0041D	50			
S0615P0042D	100			
S0615P0043D	150			
S0615P0044D	200			
S0615P0045D	250			
S0615P0046D	300			
S0615P0047D	350			
S0615P0048D	400			
S0615P0049D	50	150	365	215
S0615P0050D	100			
S0615P0051D	150			
S0615P0052D	200			
S0615P0053D	250			
S0615P0054D	300			
S0615P0055D	350			

GAYSAN LIFT AMORTİSÖRÜ STANDARTLARI / GAYSAN GAS SPRING LIFT STANDARDS											
STROKE STROK (mm)	25-50	51-100	101-150	151-200	201-250	251-300	301-350	351-400	401-450	451-500	501-→
DAMPENING FRENLEME (mm) ±5	15	20	25	30	35	40	45	50	55	60	65
EXTENSION SPEED AÇILMA HIZI (mm/sn)	100-300										
ROD / TUBE END FITTINGS MİL / BORU BAĞLANTISI	GAYSAN END FITTING CATALOG / GAYSAN BAĞLANTI KATALOĞU										

Dimensions in mm / We reserve the right to make modifications. Ölçülerde değişiklik yapma hakkımız saklıdır.

## 06-15 STAINLESS STEEL LIFT

M011



P208

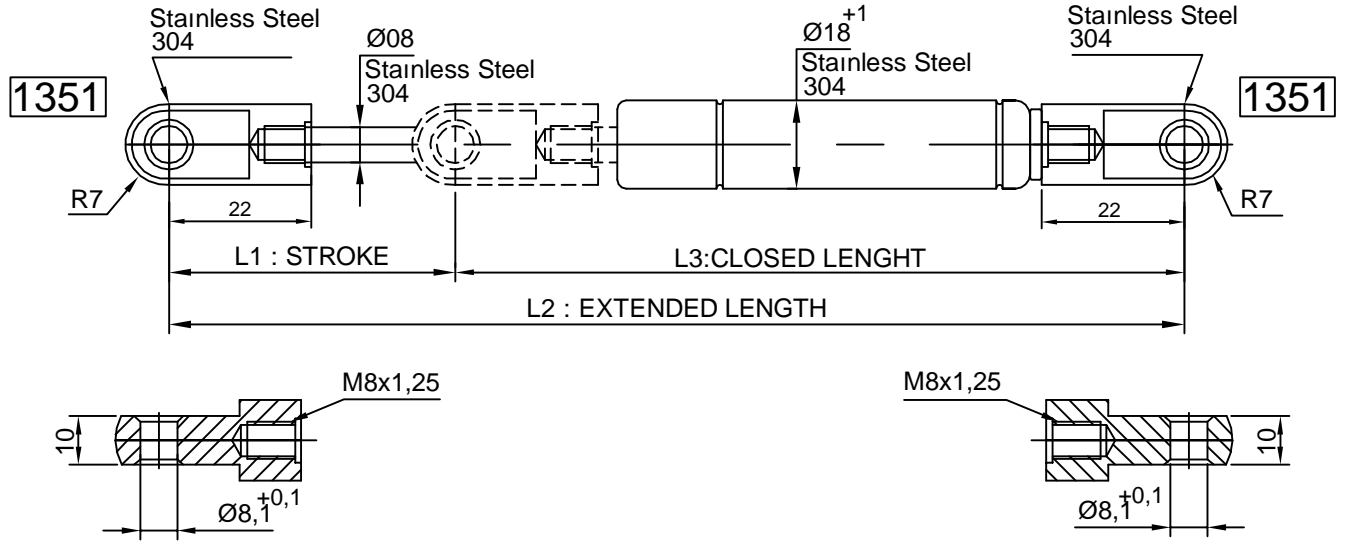
Ref.No.	F1 ( N )	L1 Stroke Strok	L2 Extended Lenght Açık Boy	L3 Closed Lenght Kapalı Boy
S0615P0101D	50	20	105	85
S0615P0102D	100			
S0615P0103D	150			
S0615P0104D	200			
S0615P0105D	250			
S0615P0106D	300			
S0615P0107D	350			
S0615P0108D	400			
S0615P0109D	50			
S0615P0110D	100			
S0615P0111D	150			
S0615P0112D	200			
S0615P0113D	250			
S0615P0114D	300			
S0615P0115D	350			
S0615P0116D	400			
S0615P0117D	50	60	185	125
S0615P0118D	100			
S0615P0119D	150			
S0615P0120D	200			
S0615P0121D	250			
S0615P0122D	300			
S0615P0123D	350			
S0615P0124D	400			
S0615P0125D	50			
S0615P0126D	100			
S0615P0127D	150			
S0615P0128D	200			
S0615P0129D	250			
S0615P0130D	300			
S0615P0131D	350			
S0615P0132D	400			

Ref.No.	F1 ( N )	L1 Stroke Strok	L2 Extended Lenght Açık Boy	L3 Closed Lenght Kapalı Boy
S0615P0133D	50	100	265	165
S0615P0134D	100			
S0615P0135D	150			
S0615P0136D	200			
S0615P0137D	250			
S0615P0138D	300			
S0615P0139D	350			
S0615P0140D	400			
S0615P0141D	50			
S0615P0142D	100			
S0615P0143D	150			
S0615P0144D	200			
S0615P0145D	250			
S0615P0146D	300			
S0615P0147D	350			
S0615P0148D	400			
S0615P0149D	50	150	365	215
S0615P0150D	100			
S0615P0151D	150			
S0615P0152D	200			
S0615P0153D	250			
S0615P0154D	300			
S0615P0155D	350			

GAYSAN LIFT AMORTİSÖRÜ STANDARTLARI / GAYSAN GAS SPRING LIFT STANDARDS												
STROKE STROK (mm)	25-50	51-100	101-150	151-200	201-250	251-300	301-350	351-400	401-450	451-500	501-→	
DAMPENING FRENLEME (mm) ±5	15	20	25	30	35	40	45	50	55	60	65	
EXTENSION SPEED AÇILMA HIZI (mm/sn)	100-300											
ROD / TUBE END FITTINGS MIL / BORU BAĞLANTISI	GAYSAN END FITTING CATALOG / GAYSAN BAĞLANTI KATALOĞU											

Dimensions in mm / We reserve the right to make modifications. Ölçülerde değişiklik yapma hakkımız saklıdır.

## 08-18 STAINLESS STEEL LIFT



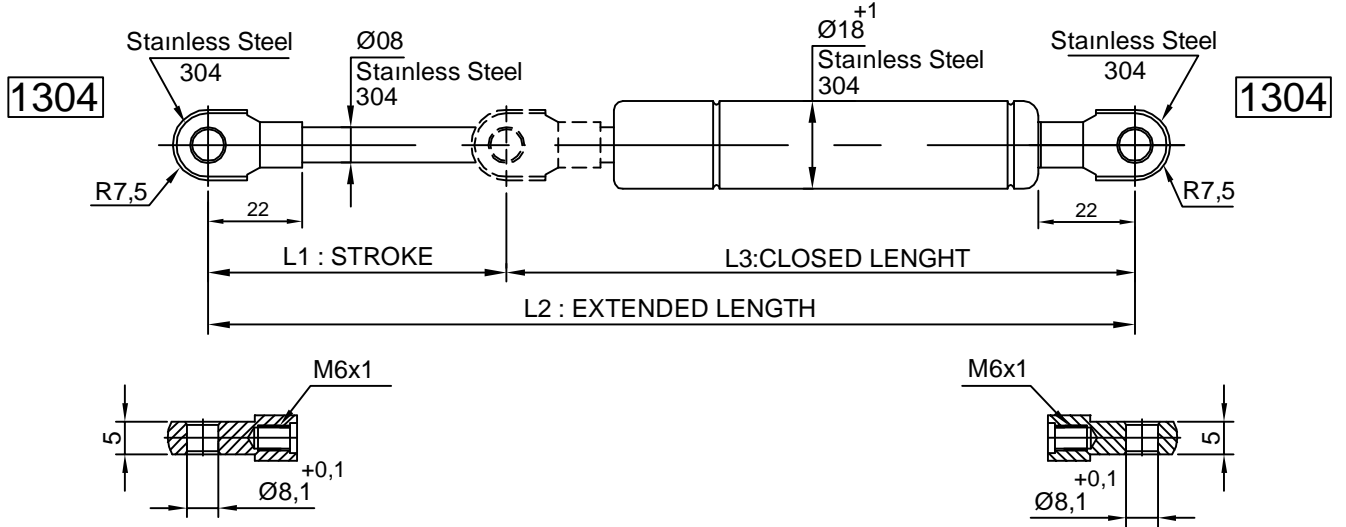
Ref.No.	F1 ( N )	L1 Stroke Strok	L2 Extended Lenght Açık Boy	L3 Closed Lenght Kapalı Boy
S0818P0001M	400	60	220	160
S0818P0002M	500			
S0818P0003M	400			
S0818P0004M	500	80	260	180
S0818P0005M	400			
S0818P0006M	500			
S0818P0007M	400	100	300	200
S0818P0008M	500			
S0818P0009M	300			
S0818P0010M	400	120	340	220
S0818P0011M	500			
S0818P0012M	100			
S0818P0013M	150	140	380	240
S0818P0014M	200			
S0818P0015M	250			
S0818P0016M	300	160	420	260
S0818P0017M	350			
S0818P0018M	400			
S0818P0019M	450			
S0818P0020M	500			
S0818P0021M	100			
S0818P0022M	150			
S0818P0023M	200			
S0818P0024M	250			
S0818P0025M	300			
S0818P0026M	350	180	460	280
S0818P0027M	400			
S0818P0028M	450			
S0818P0029M	500			

Ref.No.	F1 ( N )	L1 Stroke Strok	L2 Extended Lenght Açık Boy	L3 Closed Lenght Kapalı Boy
S0818P0030M	100	200	510	310
S0818P0031M	150			
S0818P0032M	200			
S0818P0033M	250			
S0818P0034M	300			
S0818P0035M	350			
S0818P0036M	400	220	550	330
S0818P0037M	450			
S0818P0038M	500			
S0818P0039M	100			
S0818P0040M	150			
S0818P0041M	200			
S0818P0042M	250			
S0818P0043M	300			
S0818P0044M	350			
S0818P0045M	400			
S0818P0046M	450	250	610	360
S0818P0047M	500			
S0818P0048M	100			
S0818P0049M	150			
S0818P0050M	200			
S0818P0051M	250			
S0818P0052M	300			
S0818P0053M	350			
S0818P0054M	400			
S0818P0055M	500			

GAYSAN LIFT AMORTİSÖRÜ STANDARTLARI / GAYSAN GAS SPRING LIFT STANDARDS											
STROKE STROK (mm)	25-50	51-100	101-150	151-200	201-250	251-300	301-350	351-400	401-450	451-500	501-→
DAMPENING FRENLEME (mm) ±5	15	20	25	30	35	40	45	50	55	60	65
EXTENSION SPEED AÇILMA HIZI (mm/sn)	100-300										
END / TÜRE END FITTINGS MIL / BORU BAĞLANTISI	GAYSAN END FITTING CATALOG / GAYSAN BAĞLANTI KATALOĞU										

Dimensions in mm / We reserve the right to make modifications. Ölçülerde değişiklik yapma hakkımız saklıdır.

## 08-18 STAINLESS STEEL LIFT



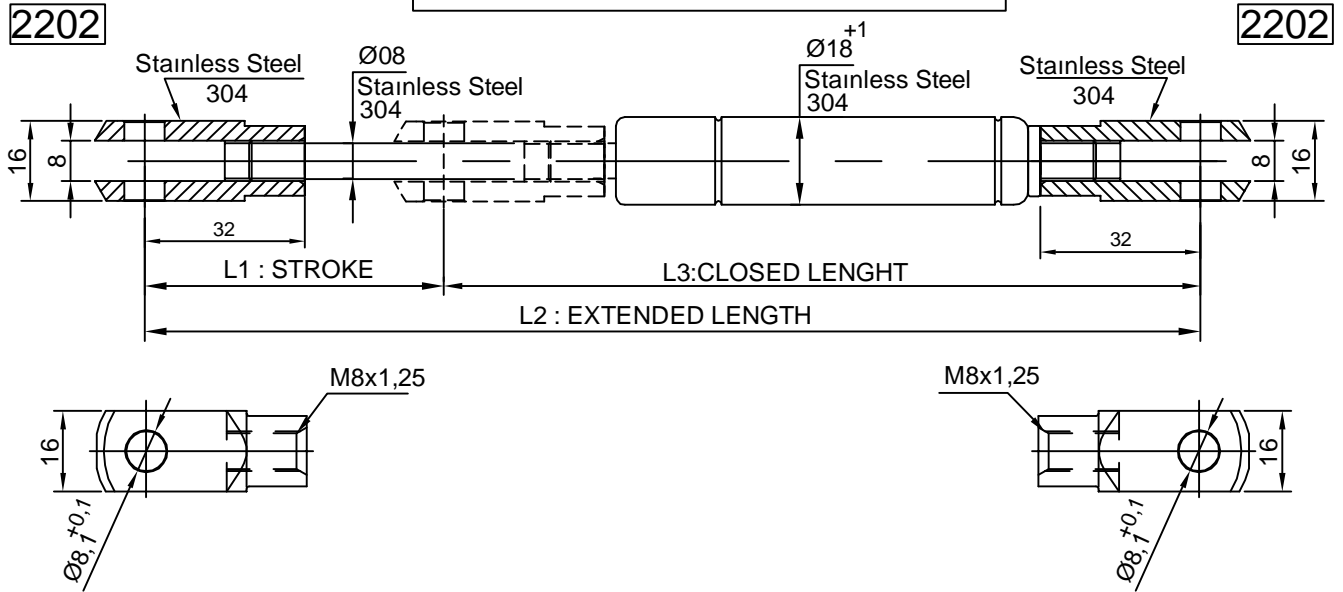
Ref.No.	F1 ( N )	L1 Stroke Strok	L2 Extended Lenght Açık Boy	L3 Closed Lenght Kapalı Boy
S0818P0101M	400	60	220	160
S0818P0102M	500			
S0818P0103M	400	80	260	180
S0818P0104M	500			
S0818P0105M	400	100	300	200
S0818P0106M	500			
S0818P0107M	400	120	340	220
S0818P0108M	500			
S0818P0109M	300	140	380	240
S0818P0110M	400			
S0818P0111M	500	160	420	260
S0818P0112M	100			
S0818P0113M	150			
S0818P0114M	200			
S0818P0115M	250			
S0818P0116M	300			
S0818P0117M	350			
S0818P0118M	400			
S0818P0119M	450			
S0818P0120M	500			
S0818P0121M	100	180	460	280
S0818P0122M	150			
S0818P0123M	200			
S0818P0124M	250			
S0818P0125M	300			
S0818P0126M	350			
S0818P0127M	400			
S0818P0128M	450			
S0818P0129M	500			

Ref.No.	F1 ( N )	L1 Stroke Strok	L2 Extended Lenght Açık Boy	L3 Closed Lenght Kapalı Boy
S0818P0130M	100	200	510	310
S0818P0131M	150			
S0818P0132M	200			
S0818P0133M	250			
S0818P0134M	300			
S0818P0135M	350			
S0818P0136M	400	220	550	330
S0818P0137M	450			
S0818P0138M	500			
S0818P0139M	100			
S0818P0140M	150			
S0818P0141M	200			
S0818P0142M	250	250	610	360
S0818P0143M	300			
S0818P0144M	350			
S0818P0145M	400			
S0818P0146M	450			
S0818P0147M	500			
S0818P0148M	100			
S0818P0149M	150			
S0818P0150M	200			
S0818P0151M	250			
S0818P0152M	300			
S0818P0153M	350			
S0818P0154M	400			
S0818P0155M	500			

GAYSAN LIFT AMORTİSÖRÜ STANDARTLARI / GAYSAN GAS SPRING LIFT STANDARDS												
STROKE STROK (mm)	25-50	51-100	101-150	151-200	201-250	251-300	301-350	351-400	401-450	451-500	501-→	
DAMPENING FRENLEME (mm) ±5	15	20	25	30	35	40	45	50	55	60	65	
EXTENSION SPEED AÇILMA HIZI (mm/sn)	100-300											
ROD / TUBE END FITTINGS MIL / BORU BAĞLANTISI	GAYSAN END FITTING CATALOG / GAYSAN BAĞLANTI KATALOĞU											

Dimensions in mm / We reserve the right to make modifications. Ölçülerde değişiklik yapma hakkımız saklıdır.

## 08-18 STAINLESS STEEL LIFT



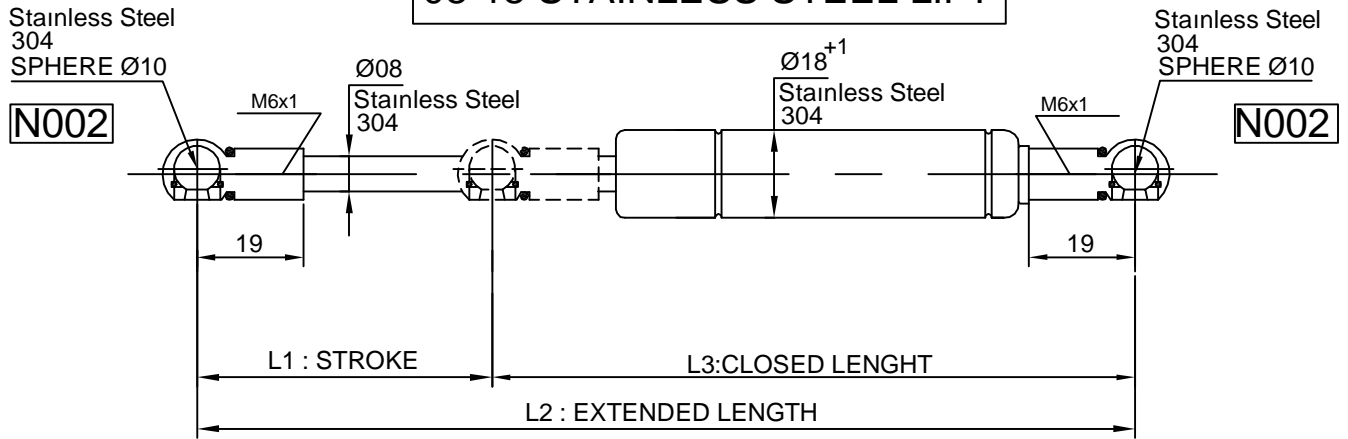
Ref.No.	F1 ( N )	L1 Stroke Strok	L2 Extended Lenght Açık Boy	L3 Closed Lenght Kapalı Boy
S0818P0201M	400	60	240	180
S0818P0202M	500			
S0818P0203M	400	80	280	200
S0818P0204M	500			
S0818P0205M	400	100	320	220
S0818P0206M	500			
S0818P0207M	400	120	360	240
S0818P0208M	500			
S0818P0209M	300	140	400	260
S0818P0210M	400			
S0818P0211M	500	160	440	280
S0818P0212M	100			
S0818P0213M	150			
S0818P0214M	200			
S0818P0215M	250			
S0818P0216M	300			
S0818P0217M	350			
S0818P0218M	400			
S0818P0219M	450			
S0818P0220M	500			
S0818P0221M	100	180	480	300
S0818P0222M	150			
S0818P0223M	200			
S0818P0224M	250			
S0818P0225M	300			
S0818P0226M	350			
S0818P0227M	400			
S0818P0228M	450			
S0818P0229M	500			

Ref.No.	F1 ( N )	L1 Stroke Strok	L2 Extended Lenght Açık Boy	L3 Closed Lenght Kapalı Boy
S0818P0230M	100	200	530	330
S0818P0231M	150			
S0818P0232M	200			
S0818P0233M	250			
S0818P0234M	300			
S0818P0235M	350			
S0818P0236M	400	220	570	350
S0818P0237M	450			
S0818P0238M	500			
S0818P0239M	100			
S0818P0240M	150			
S0818P0241M	200			
S0818P0242M	250	250	630	380
S0818P0243M	300			
S0818P0244M	350			
S0818P0245M	400			
S0818P0246M	450			
S0818P0247M	500			
S0818P0248M	100	250	630	380
S0818P0249M	150			
S0818P0250M	200			
S0818P0251M	250			
S0818P0252M	300			
S0818P0253M	350			
S0818P0254M	400	500	630	380
S0818P0255M	500			

GAYSAN LIFT AMORTİSÖRÜ STANDARTLARI / GAYSAN GAS SPRING LIFT STANDARDS												
STROKE STROK (mm)	25-50	51-100	101-150	151-200	201-250	251-300	301-350	351-400	401-450	451-500	501-→	
DAMPENING FRENLEME (mm) ±5	15	20	25	30	35	40	45	50	55	60	65	
EXTENSION SPEED AÇILMA HIZI (mm/sn)	100-300											
ROD / TUBE END FITTINGS MIL / BORU BAĞLANTISI	GAYSAN END FITTING CATALOG / GAYSAN BAĞLANTI KATALOĞU											

Dimensions in mm / We reserve the right to make modifications. Ölçülerde değişiklik yapma hakkımız saklıdır.

## 08-18 STAINLESS STEEL LIFT



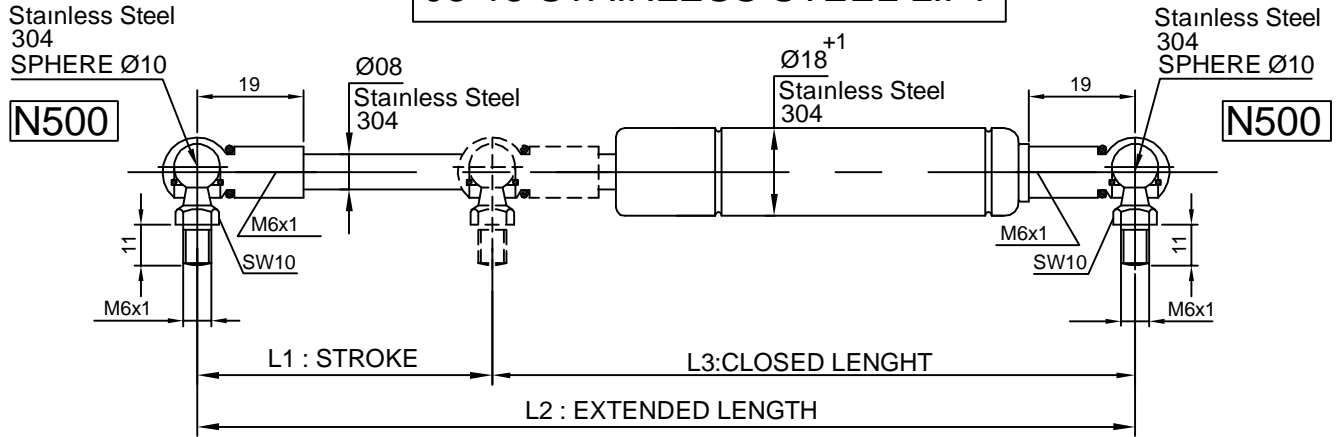
Ref.No.	F1 ( N )	L1 Stroke Strok	L2 Extended Lenght Açık Boy	L3 Closed Lenght Kapalı Boy			
S0818P0301M	400	60	220	160			
S0818P0302M	500						
S0818P0303M	400	80	260	180			
S0818P0304M	500						
S0818P0305M	400	100	300	200			
S0818P0306M	500						
S0818P0307M	400	120	340	220			
S0818P0308M	500						
S0818P0309M	300	140	380	240			
S0818P0310M	400						
S0818P0311M	500	160	420	260			
S0818P0312M	100						
S0818P0313M	150						
S0818P0314M	200						
S0818P0315M	250						
S0818P0316M	300						
S0818P0317M	350						
S0818P0318M	400						
S0818P0319M	450						
S0818P0320M	500						
S0818P0321M	100				180	460	280
S0818P0322M	150						
S0818P0323M	200						
S0818P0324M	250						
S0818P0325M	300						
S0818P0326M	350						
S0818P0327M	400						
S0818P0328M	450						
S0818P0329M	500						

Ref.No.	F1 ( N )	L1 Stroke Strok	L2 Extended Lenght Açık Boy	L3 Closed Lenght Kapalı Boy
S0818P0330M	100	200	510	310
S0818P0331M	150			
S0818P0332M	200			
S0818P0333M	250			
S0818P0334M	300			
S0818P0335M	350			
S0818P0336M	400			
S0818P0337M	450			
S0818P0338M	500			
S0818P0339M	100			
S0818P0340M	150			
S0818P0341M	200			
S0818P0342M	250			
S0818P0343M	300			
S0818P0344M	350			
S0818P0345M	400			
S0818P0346M	450			
S0818P0347M	500			
S0818P0348M	100	250	610	360
S0818P0349M	150			
S0818P0350M	200			
S0818P0351M	250			
S0818P0352M	300			
S0818P0353M	350			
S0818P0354M	400			
S0818P0355M	500			

GAYSAN LIFT AMORTİSÖRÜ STANDARTLARI / GAYSAN GAS SPRING LIFT STANDARDS												
STROKE STROK (mm)	25-50	51-100	101-150	151-200	201-250	251-300	301-350	351-400	401-450	451-500	501-→	
DAMPENING FRENLEME (mm) ±5	15	20	25	30	35	40	45	50	55	60	65	
EXTENSION SPEED AÇILMA HIZI (mm/sn)	100-300											
ROD / TUBE END FITTINGS MIL / BORU BAĞLANTISI	GAYSAN END FITTING CATALOG / GAYSAN BAĞLANTI KATALOĞU											

Dimensions in mm / We reserve the right to make modifications. Ölçülerde değişiklik yapma hakkımız saklıdır.

## 08-18 STAINLESS STEEL LIFT



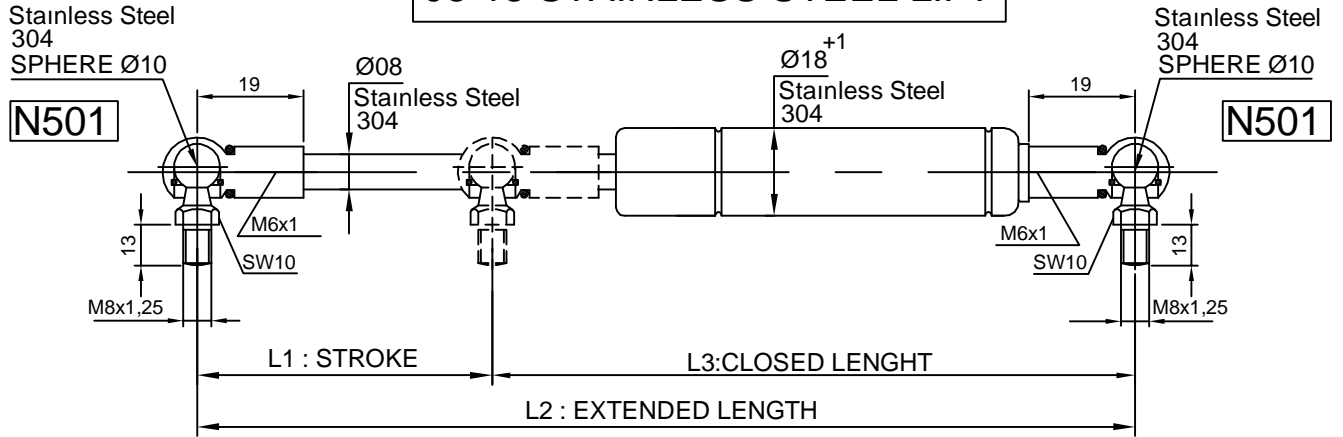
Ref.No.	F1 ( N )	L1 Stroke Strok	L2 Extended Lenght Açık Boy	L3 Closed Lenght Kapalı Boy			
S0818P0401M	400	60	220	160			
S0818P0402M	500						
S0818P0403M	400	80	260	180			
S0818P0404M	500						
S0818P0405M	400	100	300	200			
S0818P0406M	500						
S0818P0407M	400	120	340	220			
S0818P0408M	500						
S0818P0409M	300	140	380	240			
S0818P0410M	400						
S0818P0411M	500	160	420	260			
S0818P0412M	100						
S0818P0413M	150						
S0818P0414M	200						
S0818P0415M	250						
S0818P0416M	300						
S0818P0417M	350						
S0818P0418M	400						
S0818P0419M	450						
S0818P0420M	500						
S0818P0421M	100				180	460	280
S0818P0422M	150						
S0818P0423M	200						
S0818P0424M	250						
S0818P0425M	300						
S0818P0426M	350						
S0818P0427M	400						
S0818P0428M	450						
S0818P0429M	500						

Ref.No.	F1 ( N )	L1 Stroke Strok	L2 Extended Lenght Açık Boy	L3 Closed Lenght Kapalı Boy
S0818P0430M	100	200	510	310
S0818P0431M	150			
S0818P0432M	200			
S0818P0433M	250			
S0818P0434M	300			
S0818P0435M	350			
S0818P0436M	400	220	550	330
S0818P0437M	450			
S0818P0438M	500			
S0818P0439M	100			
S0818P0440M	150			
S0818P0441M	200			
S0818P0442M	250			
S0818P0443M	300	250	610	360
S0818P0444M	350			
S0818P0445M	400			
S0818P0446M	450			
S0818P0447M	500			
S0818P0448M	100			
S0818P0449M	150			
S0818P0450M	200			
S0818P0451M	250			
S0818P0452M	300			
S0818P0453M	350			
S0818P0454M	400			
S0818P0455M	500			

GAYSAN LIFT AMORTİSÖRÜ STANDARTLARI / GAYSAN GAS SPRING LIFT STANDARDS											
STROKE STROK (mm)	25-50	51-100	101-150	151-200	201-250	251-300	301-350	351-400	401-450	451-500	501-→
DAMPENING FRENLEME (mm) ±5	15	20	25	30	35	40	45	50	55	60	65
EXTENSION SPEED AÇILMA HIZI (mm/sn)	100-300										
ROD / TUBE END FITTINGS MIL / BORU BAĞLANTISI	GAYSAN END FITTING CATALOG / GAYSAN BAĞLANTI KATALOĞU										

Dimensions in mm / We reserve the right to make modifications. Ölçülerde değişiklik yapma hakkımız saklıdır.

## 08-18 STAINLESS STEEL LIFT



Ref.No.	F1 ( N )	L1 Stroke Strok	L2 Extended Lenght Açık Boy	L3 Closed Lenght Kapalı Boy			
S0818P0501M	400	60	220	160			
S0818P0502M	500						
S0818P0503M	400	80	260	180			
S0818P0504M	500						
S0818P0505M	400	100	300	200			
S0818P0506M	500						
S0818P0507M	400	120	340	220			
S0818P0508M	500						
S0818P0509M	300	140	380	240			
S0818P0510M	400						
S0818P0511M	500	160	420	260			
S0818P0512M	100						
S0818P0513M	150						
S0818P0514M	200						
S0818P0515M	250						
S0818P0516M	300						
S0818P0517M	350						
S0818P0518M	400						
S0818P0519M	450						
S0818P0520M	500						
S0818P0521M	100				180	460	280
S0818P0522M	150						
S0818P0523M	200						
S0818P0524M	250						
S0818P0525M	300						
S0818P0526M	350						
S0818P0527M	400						
S0818P0528M	450						
S0818P0529M	500						

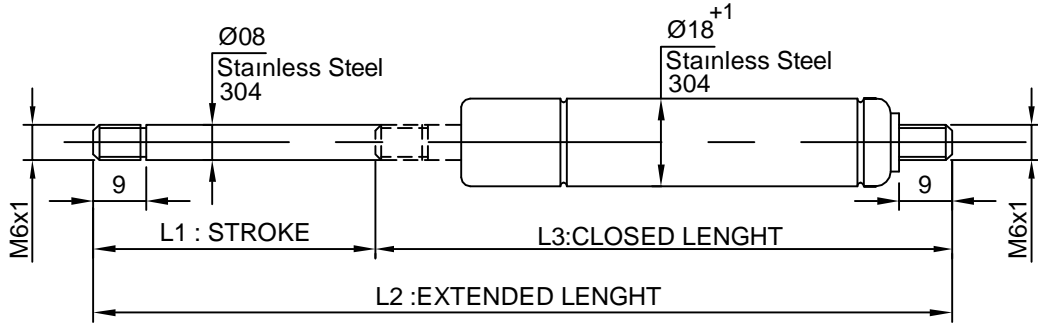
Ref.No.	F1 ( N )	L1 Stroke Strok	L2 Extended Lenght Açık Boy	L3 Closed Lenght Kapalı Boy
S0818P0530M	100	200	510	310
S0818P0531M	150			
S0818P0532M	200			
S0818P0533M	250			
S0818P0534M	300			
S0818P0535M	350			
S0818P0536M	400			
S0818P0537M	450			
S0818P0538M	500			
S0818P0539M	100			
S0818P0540M	150			
S0818P0541M	200			
S0818P0542M	250			
S0818P0543M	300			
S0818P0544M	350			
S0818P0545M	400			
S0818P0546M	450			
S0818P0547M	500			
S0818P0548M	100	250	610	360
S0818P0549M	150			
S0818P0550M	200			
S0818P0551M	250			
S0818P0552M	300			
S0818P0553M	350			
S0818P0554M	400			
S0818P0555M	500			

GAYSAN LIFT AMORTİSÖRÜ STANDARTLARI / GAYSAN GAS SPRING LIFT STANDARDS												
STROKE STROK (mm)	25-50	51-100	101-150	151-200	201-250	251-300	301-350	351-400	401-450	451-500	501-→	
DAMPENING FRENLEME (mm) ±5	15	20	25	30	35	40	45	50	55	60	65	
EXTENSION SPEED AÇILMA HIZI (mm/sn)	100-300											
ROD / TUBE END FITTINGS MIL / BORU BAĞLANTISI	GAYSAN END FITTING CATALOG / GAYSAN BAĞLANTI KATALOĞU											

Dimensions in mm / We reserve the right to make modifications. Ölçülerde değişiklik yapma hakkımız saklıdır.

## 08-18 STAINLESS STEEL LIFT

1930



P258

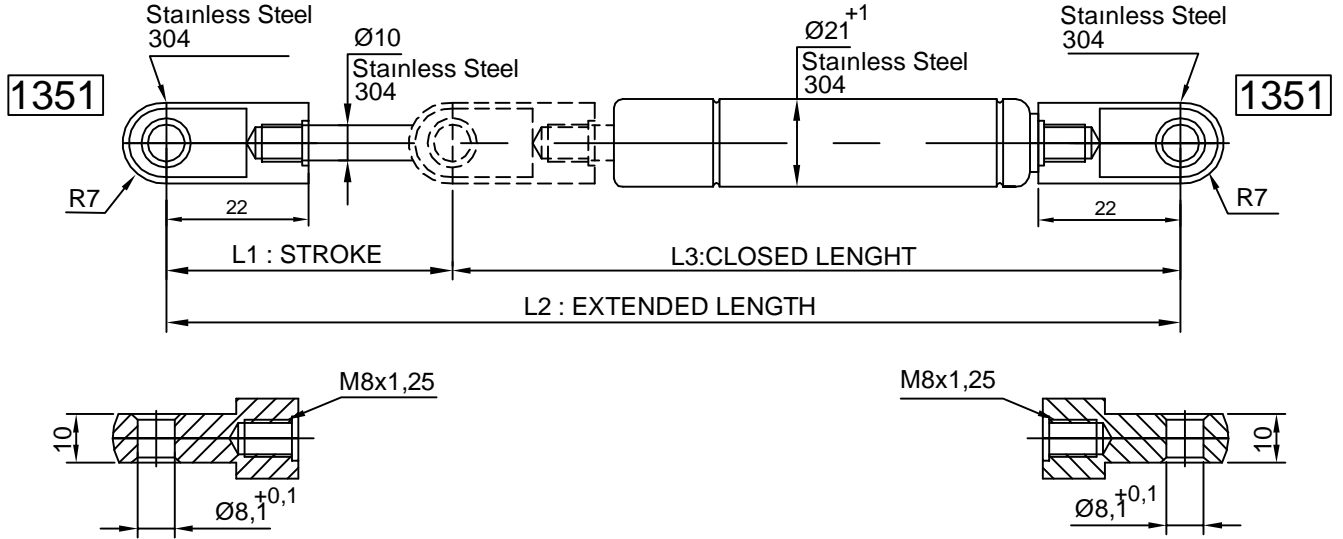
Ref.No.	F1 ( N )	L1 Stroke Strok	L2 Extended Length Açık Boy	L3 Closed Length Kapalı Boy
S0818P0001D	200	60	190	130
S0818P0002D	300			
S0818P0003D	400			
S0818P0004D	500			
S0818P0005D	200	80	230	150
S0818P0006D	300			
S0818P0007D	400			
S0818P0008D	500			
S0818P0009D	200	100	270	170
S0818P0010D	300			
S0818P0011D	400			
S0818P0012D	500			
S0818P0013D	200	120	310	190
S0818P0014D	300			
S0818P0015D	400			
S0818P0016D	500			
S0818P0017D	100	140	350	210
S0818P0018D	200			
S0818P0019D	300			
S0818P0020D	400			
S0818P0021D	500	160	390	230
S0818P0022D	100			
S0818P0023D	150			
S0818P0024D	200			
S0818P0025D	250			
S0818P0026D	300			
S0818P0027D	350			
S0818P0028D	375			
S0818P0029D	400			
S0818P0030D	450			
S0818P0031D	475			
S0818P0032D	500			
S0818P0033D	100	180	435	255
S0818P0034D	150			
S0818P0035D	200			
S0818P0036D	250			
S0818P0037D	300			
S0818P0038D	350			

Ref.No.	F1 ( N )	L1 Stroke Strok	L2 Extended Length Açık Boy	L3 Closed Length Kapalı Boy
S0818P0039D	375	180	435	255
S0818P0040D	400			
S0818P0041D	450			
S0818P0042D	475			
S0818P0043D	500	200	485	285
S0818P0044D	100			
S0818P0045D	150			
S0818P0046D	200			
S0818P0047D	250			
S0818P0048D	300			
S0818P0049D	350			
S0818P0050D	375			
S0818P0051D	400			
S0818P0052D	450			
S0818P0053D	475			
S0818P0054D	500			
S0818P0055D	100			
S0818P0056D	150			
S0818P0057D	200			
S0818P0058D	250			
S0818P0059D	300			
S0818P0060D	350			
S0818P0061D	375			
S0818P0062D	400			
S0818P0063D	450			
S0818P0064D	475			
S0818P0065D	500	250	585	335
S0818P0066D	100			
S0818P0067D	150			
S0818P0068D	200			
S0818P0069D	250			
S0818P0070D	300			
S0818P0071D	350			
S0818P0072D	375			
S0818P0073D	400			
S0818P0074D	450			

GAYSAN LIFT AMORTİSÖRÜ STANDARTLARI / GAYSAN GAS SPRING LIFT STANDARDS											
STROKE STROK (mm)	25-50	51-100	101-150	151-200	201-250	251-300	301-350	351-400	401-450	451-500	501-→
DAMPENING FRENLEME (mm) ±5	15	20	25	30	35	40	45	50	55	60	65
EXTENSION SPEED AÇILMA HIZI (mm/sn)	100-300										
ROD / TUBE END FITTINGS MİL / BORU BAĞLANTISI	GAYSAN END FITTING CATALOG / GAYSAN BAĞLANTI KATALOĞU										

Dimensions in mm / We reserve the right to make modifications. Ölçülerde değişiklik yapma hakkımız saklıdır.

## 10-21 STAINLESS STEEL LIFT



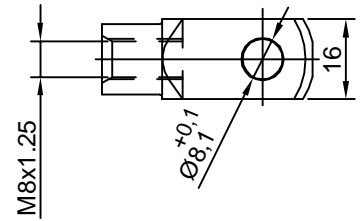
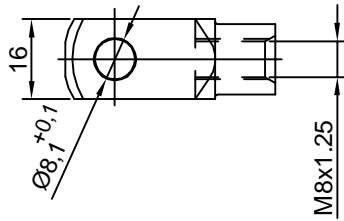
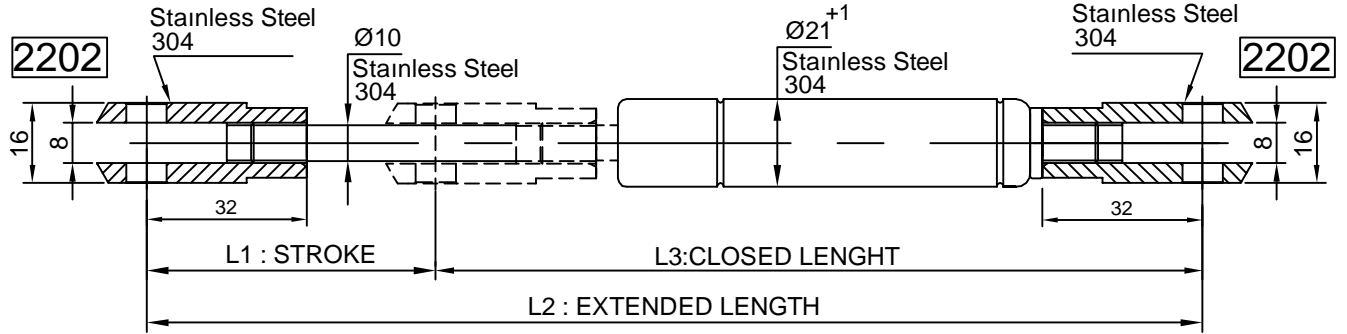
Ref.No.	F1 ( N )	L1 Stroke Strok	L2 Extended Length Açık Boy	L3 Closed Length Kapalı Boy
S1021P0001M	700	95	285	190
S1021P0002M	800			
S1021P0003M	900			
S1021P0004M	700	145	385	240
S1021P0005M	800			
S1021P0006M	900			
S1021P0007M	700	195	490	295
S1021P0008M	800			
S1021P0009M	900			
S1021P0010M	700	245	590	345
S1021P0011M	800			
S1021P0012M	900			
S1021P0013M	150	295	705	410
S1021P0014M	200			
S1021P0015M	250			
S1021P0016M	300			
S1021P0017M	350			
S1021P0018M	400			
S1021P0019M	500			
S1021P0020M	600			
S1021P0021M	700			
S1021P0022M	750			
S1021P0023M	800			
S1021P0024M	850			
S1021P0025M	900			

Ref.No.	F1 ( N )	L1 Stroke Strok	L2 Extended Length Açık Boy	L3 Closed Length Kapalı Boy
S1021P0026M	150	345	805	460
S1021P0027M	200			
S1021P0028M	250			
S1021P0029M	300			
S1021P0030M	350			
S1021P0031M	400			
S1021P0032M	500			
S1021P0033M	600			
S1021P0034M	700			
S1021P0035M	750			
S1021P0036M	800			
S1021P0037M	850			
S1021P0038M	900			
S1021P0039M	150	395	905	510
S1021P0040M	200			
S1021P0041M	250			
S1021P0042M	300			
S1021P0043M	350			
S1021P0044M	400			
S1021P0045M	450			
S1021P0046M	500			
S1021P0047M	550			
S1021P0048M	600			
S1021P0049M	650			
S1021P0050M	700			

GAYSAN LIFT AMORTİSÖRÜ STANDARTLARI / GAYSAN GAS SPRING LIFT STANDARDS											
STROKE STROK (mm)	25-50	51-100	101-150	151-200	201-250	251-300	301-350	351-400	401-450	451-500	501- →
DAMPENING FRENLEME (mm) 25	15	20	25	30	35	40	45	50	55	60	65
EXTENSION SPEED AÇILMA HIZI (mm/sn)	100-300										
ROD / TUBE END FITTINGS MİL / BORU BAĞLANTISI	GAYSAN END FITTING CATALOG / GAYSAN BAĞLANTI KATALOĞU										

Dimensions in mm / We reserve the right to make modifications. Ölçülerde değişiklik yapma hakkımız saklıdır.

## 10-21 STAINLESS STEEL LIFT



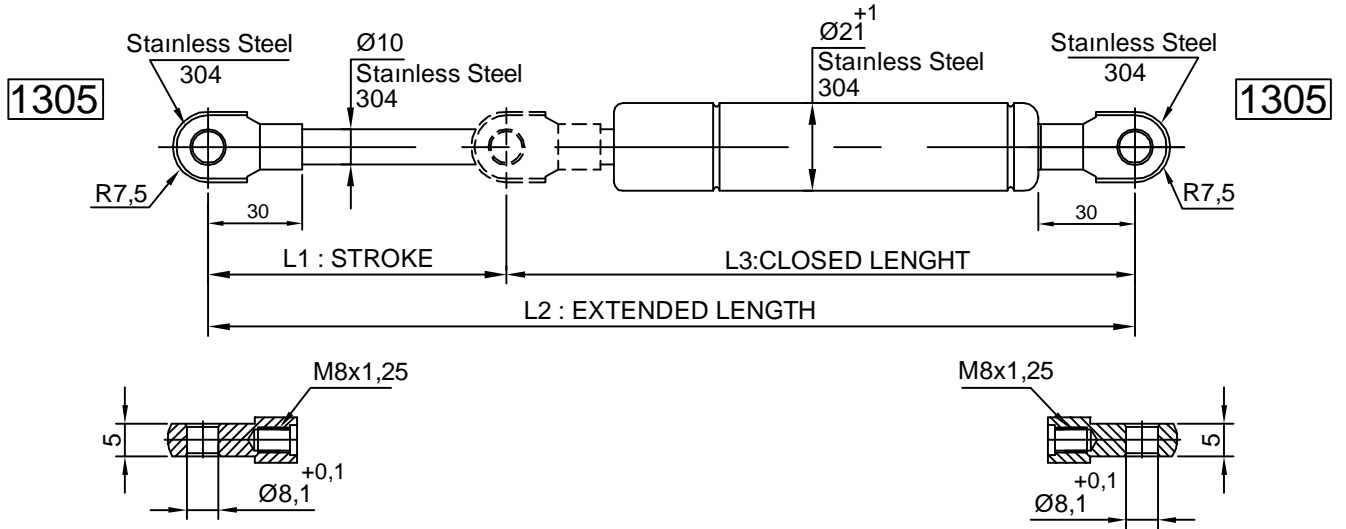
Ref.No.	F1 ( N )	L1 Stroke Strok	L2 Extended Lenght Açık Boy	L3 Closed Lenght Kapalı Boy
S1021P0101M	700	95	300	205
S1021P0102M	800			
S1021P0103M	900			
S1021P0104M	700	145	400	245
S1021P0105M	800			
S1021P0106M	900			
S1021P0107M	700	195	490	295
S1021P0108M	800			
S1021P0109M	900			
S1021P0110M	700	245	590	345
S1021P0111M	800			
S1021P0112M	900			
S1021P0113M	150	295	725	430
S1021P0114M	200			
S1021P0115M	250			
S1021P0116M	300			
S1021P0117M	350			
S1021P0118M	400			
S1021P0119M	500			
S1021P0120M	600			
S1021P0121M	700			
S1021P0122M	750			
S1021P0123M	800			
S1021P0124M	850			
S1021P0125M	900			

Ref.No.	F1 ( N )	L1 Stroke Strok	L2 Extended Lenght Açık Boy	L3 Closed Lenght Kapalı Boy
S1021P0126M	150	345	825	480
S1021P0127M	200			
S1021P0128M	250			
S1021P0129M	300			
S1021P0130M	350			
S1021P0131M	400			
S1021P0132M	500			
S1021P0133M	600			
S1021P0134M	700			
S1021P0135M	750			
S1021P0136M	800			
S1021P0137M	850			
S1021P0138M	900	395	925	530
S1021P0139M	150			
S1021P0140M	200			
S1021P0141M	250			
S1021P0142M	300			
S1021P0143M	350			
S1021P0144M	400			
S1021P0145M	450			
S1021P0146M	500			
S1021P0147M	550			
S1021P0148M	600			
S1021P0149M	650			
S1021P0150M	700			

GAYSAN LIFT AMORTİSÖRÜ STANDARTLARI / GAYSAN GAS SPRING LIFT STANDARDS											
STROKE STROK (mm)	25-50	51-100	101-150	151-200	201-250	251-300	301-350	351-400	401-450	451-500	501- →
DAMPENING FRENLEME (mm) 25	15	20	25	30	35	40	45	50	55	60	65
EXTENSION SPEED AÇILMA HIZI (mm/sn)	100-300										
ROD / TUBE END FITTINGS MİL / BORU BAĞLANTISI	GAYSAN END FITTING CATALOG / GAYSAN BAĞLANTI KATALOĞU										

Dimensions in mm / We reserve the right to make modifications. Ölçülerde değişiklik yapma hakkımız saklıdır.

## 10-21 STAINLESS STEEL LIFT



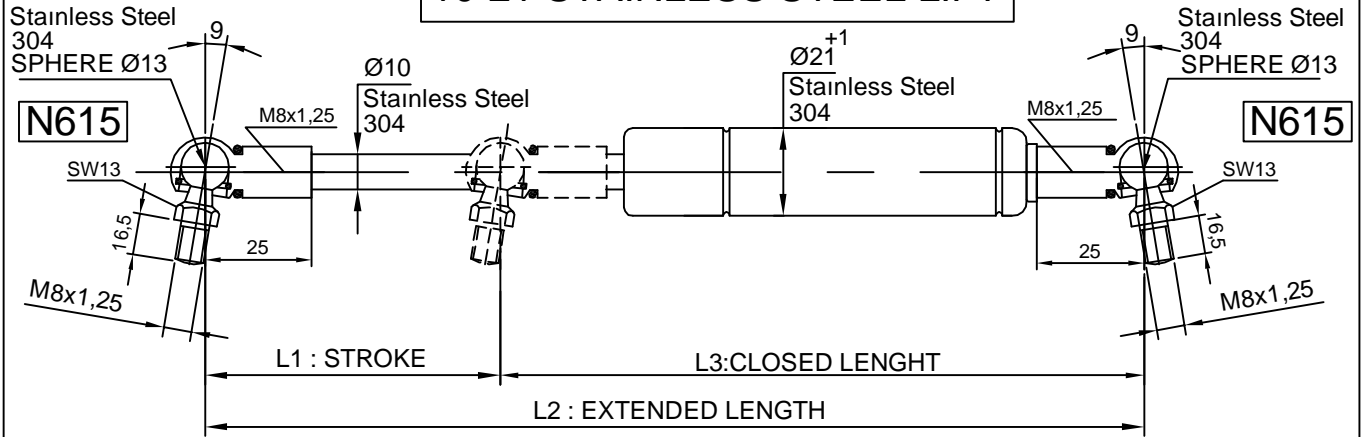
Ref.No.	F1 ( N )	L1 Stroke Strok	L2 Extended Length Açık Boy	L3 Closed Length Kapalı Boy
S1021P0201M	700	95	300	205
S1021P0202M	800			
S1021P0203M	900			
S1021P0204M	700	145	400	245
S1021P0205M	800			
S1021P0206M	900			
S1021P0207M	700	195	490	295
S1021P0208M	800			
S1021P0209M	900			
S1021P0210M	700	245	590	345
S1021P0211M	800			
S1021P0212M	900			
S1021P0213M	150	295	725	430
S1021P0214M	200			
S1021P0215M	250			
S1021P0216M	300			
S1021P0217M	350			
S1021P0218M	400			
S1021P0219M	500			
S1021P0220M	600			
S1021P0221M	700			
S1021P0222M	750			
S1021P0223M	800			
S1021P0224M	850			
S1021P0225M	900			

Ref.No.	F1 ( N )	L1 Stroke Strok	L2 Extended Length Açık Boy	L3 Closed Length Kapalı Boy
S1021P0226M	150	345	825	480
S1021P0227M	200			
S1021P0228M	250			
S1021P0229M	300			
S1021P0230M	350			
S1021P0231M	400			
S1021P0232M	500			
S1021P0233M	600			
S1021P0234M	700			
S1021P0235M	750			
S1021P0236M	800			
S1021P0237M	850			
S1021P0238M	900			
S1021P0239M	150	395	925	530
S1021P0240M	200			
S1021P0241M	250			
S1021P0242M	300			
S1021P0243M	350			
S1021P0244M	400			
S1021P0245M	450			
S1021P0246M	500			
S1021P0247M	550			
S1021P0248M	600			
S1021P0249M	650			
S1021P0250M	700			

GAYSAN LIFT AMORTİSÖRÜ STANDARTLARI / GAYSAN GAS SPRING LIFT STANDARDS											
STROKE STROK (mm)	25-50	51-100	101-150	151-200	201-250	251-300	301-350	351-400	401-450	451-500	501- →
DAMPENING FRENLEME (mm) 25	15	20	25	30	35	40	45	50	55	60	65
EXTENSION SPEED AÇILMA HIZI (mm/sn)	100-300										
ROD / TUBE END FITTINGS MİL / BORU BAĞLANTISI	GAYSAN END FITTING CATALOG / GAYSAN BAĞLANTI KATALOĞU										

Dimensions in mm / We reserve the right to make modifications. Ölçülerde değişiklik yapma hakkımız saklıdır.

## 10-21 STAINLESS STEEL LIFT



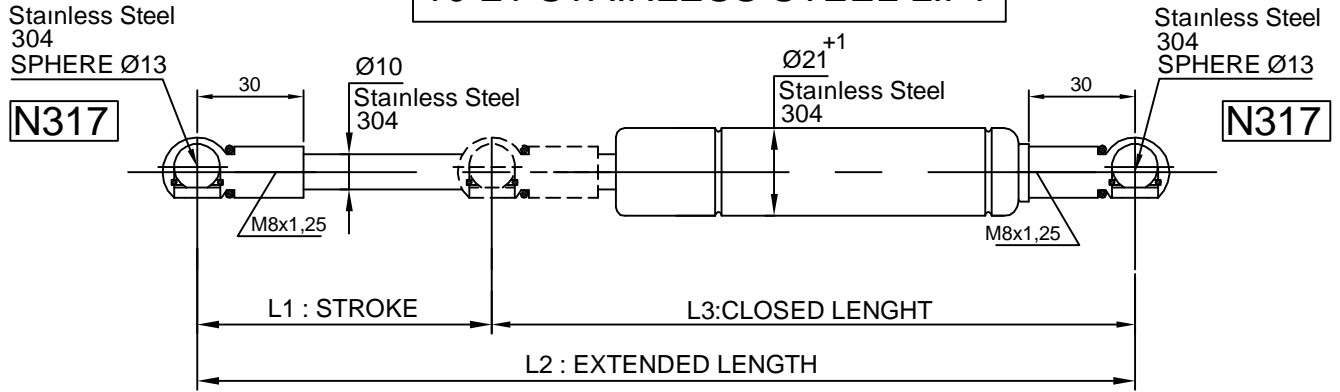
Ref.No.	F1 ( N )	L1 Stroke Strok	L2 Extended Length Açık Boy	L3 Closed Length Kapalı Boy
S1021P0301M	700	95	300	205
S1021P0302M	800			
S1021P0303M	900			
S1021P0304M	700	145	400	255
S1021P0305M	800			
S1021P0306M	900			
S1021P0307M	700	195	510	315
S1021P0308M	800			
S1021P0309M	900			
S1021P0310M	700	245	610	365
S1021P0311M	800			
S1021P0312M	900			
S1021P0313M	150	295	710	415
S1021P0314M	200			
S1021P0315M	250			
S1021P0316M	300			
S1021P0317M	350			
S1021P0318M	400			
S1021P0319M	500			
S1021P0320M	600			
S1021P0321M	700			
S1021P0322M	750			
S1021P0323M	800			
S1021P0324M	850			
S1021P0325M	900			

Ref.No.	F1 ( N )	L1 Stroke Strok	L2 Extended Length Açık Boy	L3 Closed Length Kapalı Boy
S1021P0326M	150	345	810	465
S1021P0327M	200			
S1021P0328M	250			
S1021P0329M	300			
S1021P0330M	350			
S1021P0331M	400			
S1021P0332M	500			
S1021P0333M	600			
S1021P0334M	700			
S1021P0335M	750			
S1021P0336M	800			
S1021P0337M	850			
S1021P0338M	900	395	910	515
S1021P0339M	150			
S1021P0340M	200			
S1021P0341M	250			
S1021P0342M	300			
S1021P0343M	350			
S1021P0344M	400			
S1021P0345M	450			
S1021P0346M	500			
S1021P0347M	550			
S1021P0348M	600			
S1021P0349M	650			
S1021P0350M	700			

GAYSAN LIFT AMORTİSÖRÜ STANDARTLARI / GAYSAN GAS SPRING LIFT STANDARDS											
STROKE STROK (mm)	25-50	51-100	101-150	151-200	201-250	251-300	301-350	351-400	401-450	451-500	501- →
DAMPENING FRENLEME (mm) 25	15	20	25	30	35	40	45	50	55	60	65
EXTENSION SPEED AÇILMA HIZI (mm/sn)	100-300										
ROD / TUBE END FITTINGS MİL / BORU BAĞLANTISI	GAYSAN END FITTING CATALOG / GAYSAN BAĞLANTI KATALOĞU										

Dimensions in mm / We reserve the right to make modifications. Ölçülerde değişiklik yapma hakkımız saklıdır.

## 10-21 STAINLESS STEEL LIFT



Ref.No.	F1 ( N )	L1 Stroke Strok	L2 Extended Length Açık Boy	L3 Closed Length Kapalı Boy
S1021P0401M	700	95	300	205
S1021P0402M	800			
S1021P0403M	900			
S1021P0404M	700	145	400	245
S1021P0405M	800			
S1021P0406M	900			
S1021P0407M	700	195	490	295
S1021P0408M	800			
S1021P0409M	900			
S1021P0410M	700	245	590	345
S1021P0411M	800			
S1021P0412M	900			
S1021P0413M	150	295	725	430
S1021P0414M	200			
S1021P0415M	250			
S1021P0416M	300			
S1021P0417M	350			
S1021P0418M	400			
S1021P0419M	500			
S1021P0420M	600			
S1021P0421M	700			
S1021P0422M	750			
S1021P0423M	800			
S1021P0424M	850			
S1021P0425M	900			

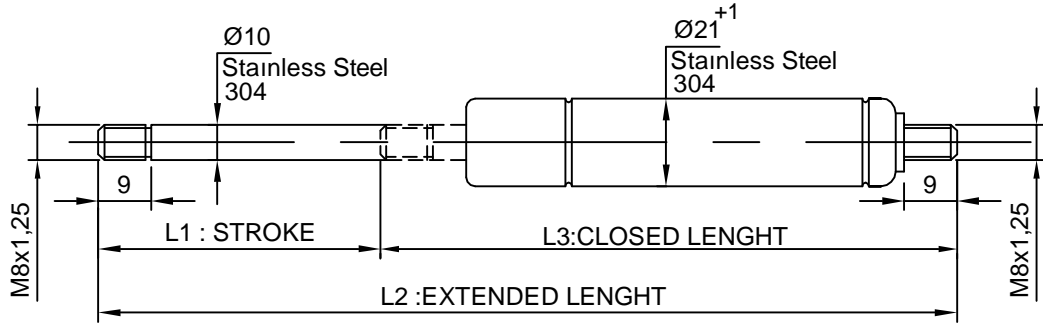
Ref.No.	F1 ( N )	L1 Stroke Strok	L2 Extended Length Açık Boy	L3 Closed Length Kapalı Boy
S1021P0426M	150	345	825	480
S1021P0427M	200			
S1021P0428M	250			
S1021P0429M	300			
S1021P0430M	350			
S1021P0431M	400			
S1021P0432M	500			
S1021P0433M	600			
S1021P0434M	700			
S1021P0435M	750			
S1021P0436M	800			
S1021P0437M	850			
S1021P0438M	900			
S1021P0439M	150	395	925	530
S1021P0440M	200			
S1021P0441M	250			
S1021P0442M	300			
S1021P0443M	350			
S1021P0444M	400			
S1021P0445M	450			
S1021P0446M	500			
S1021P0447M	550			
S1021P0448M	600			
S1021P0449M	650			
S1021P0450M	700			

GAYSAN LIFT AMORTİSÖRÜ STANDARTLARI / GAYSAN GAS SPRING LIFT STANDARDS											
STROKE STROK (mm)	25-50	51-100	101-150	151-200	201-250	251-300	301-350	351-400	401-450	451-500	501- →
DAMPENING FRENLEME (mm) 25	15	20	25	30	35	40	45	50	55	60	65
EXTENSION SPEED AÇILMA HIZI (mm/sn)	100-300										
ROD / TUBE END FITTINGS MİL / BORU BAĞLANTISI	GAYSAN END FITTING CATALOG / GAYSAN BAĞLANTI KATALOĞU										

Dimensions in mm / We reserve the right to make modifications. Ölçülerde değişiklik yapma hakkımız saklıdır.

## 10-21 STAINLESS STEEL LIFT

7275



P313

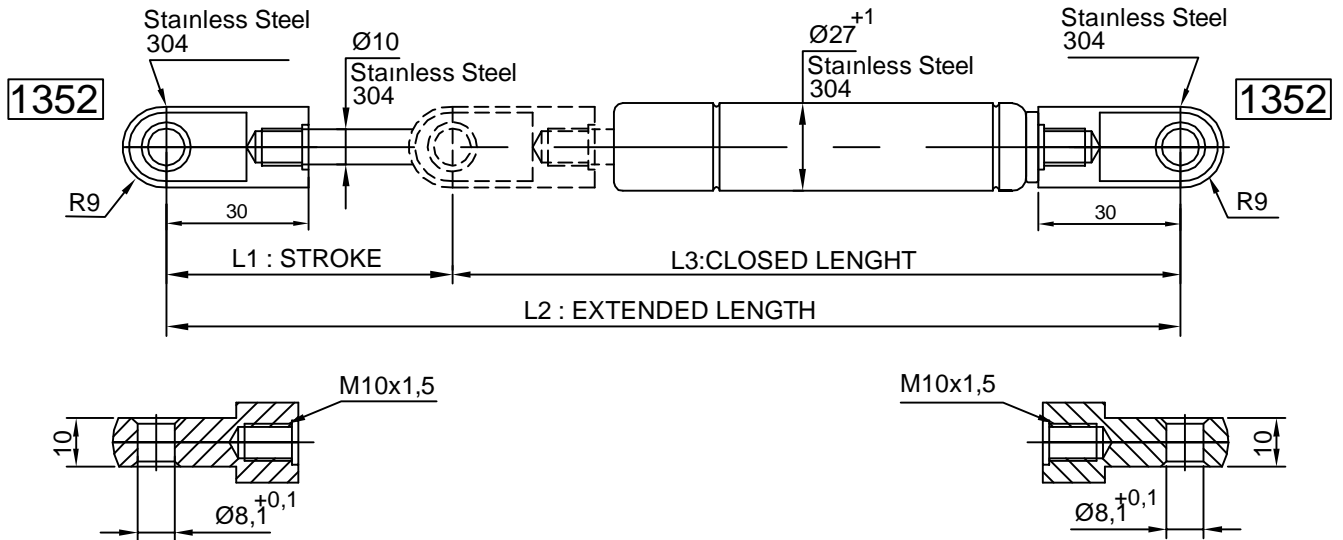
Ref.No.	F1 ( N )	L1 Stroke Strok	L2 Extended Length Açık Boy	L3 Closed Length Kapalı Boy
S1021P0001D	700	100	270	170
S1021P0002D	800			
S1021P0003D	900			
S1021P0004D	700	150	370	220
S1021P0005D	800			
S1021P0006D	900			
S1021P0007D	700	200	470	270
S1021P0008D	800			
S1021P0009D	900			
S1021P0010D	700	250	570	320
S1021P0011D	800			
S1021P0012D	900			
S1021P0013D	150	300	690	390
S1021P0014D	200			
S1021P0015D	250			
S1021P0016D	300			
S1021P0017D	350			
S1021P0018D	400			
S1021P0019D	500			
S1021P0020D	600			
S1021P0021D	700			
S1021P0022D	750			
S1021P0023D	800			
S1021P0024D	850			
S1021P0025D	900			

Ref.No.	F1 ( N )	L1 Stroke Strok	L2 Extended Length Açık Boy	L3 Closed Length Kapalı Boy
S1021P0026D	150	350	790	440
S1021P0027D	200			
S1021P0028D	250			
S1021P0029D	300			
S1021P0030D	350			
S1021P0031D	400			
S1021P0032D	500			
S1021P0033D	600			
S1021P0034D	700			
S1021P0035D	750			
S1021P0036D	800			
S1021P0037D	850			
S1021P0038D	900	400	890	490
S1021P0039D	150			
S1021P0040D	200			
S1021P0041D	250			
S1021P0042D	300			
S1021P0043D	350			
S1021P0044D	400			
S1021P0045D	450			
S1021P0046D	500			
S1021P0047D	550			
S1021P0048D	600			
S1021P0049D	650			
S1021P0050D	700			

GAYSAN LIFT AMORTİSÖRÜ STANDARTLARI / GAYSAN GAS SPRING LIFT STANDARDS											
STROKE STROK (mm)	25-50	51-100	101-150	151-200	201-250	251-300	301-350	351-400	401-450	451-500	501- →
DAMPENING FRENLEME (mm) 25	15	20	25	30	35	40	45	50	55	60	65
EXTENSION SPEED AÇILMA HIZI (mm/sn)	100-300										
ROD / TUBE END FITTINGS MİL / BORU BAĞLANTISI	GAYSAN END FITTING CATALOG / GAYSAN BAĞLANTI KATALOĞU										

Dimensions in mm / We reserve the right to make modifications. Ölçülerde değişiklik yapma hakkımız saklıdır.

## 10-27 STAINLESS STEEL LIFT



Ref.No.	F1 ( N )	L1 Stroke Strok	L2 Extended Length Açık Boy	L3 Closed Length Kapalı Boy
S1027P0001M	700	95	300	205
S1027P0002M	800			
S1027P0003M	900			
S1027P0004M	700	145	400	245
S1027P0005M	800			
S1027P0006M	900			
S1027P0007M	700	195	490	295
S1027P0008M	800			
S1027P0009M	900			
S1027P0010M	700	245	590	345
S1027P0011M	800			
S1027P0012M	900			
S1027P0013M	150	295	720	425
S1027P0014M	200			
S1027P0015M	250			
S1027P0016M	300			
S1027P0017M	350			
S1027P0018M	400			
S1027P0019M	500			
S1027P0020M	600			
S1027P0021M	700			
S1027P0022M	750			
S1027P0023M	800			
S1027P0024M	850			
S1027P0025M	900			

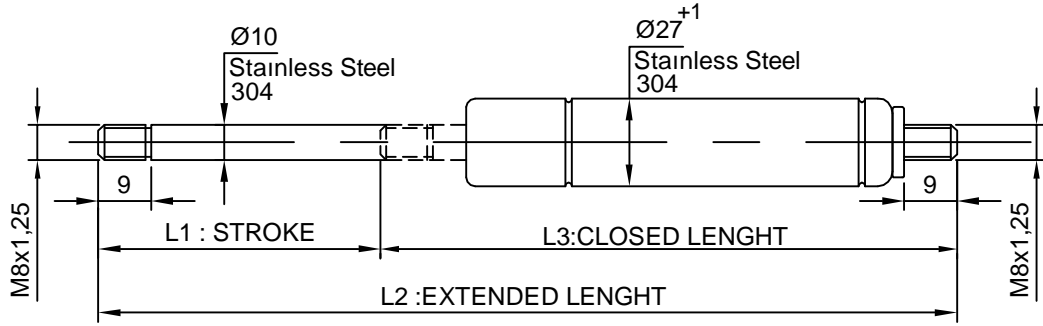
Ref.No.	F1 ( N )	L1 Stroke Strok	L2 Extended Length Açık Boy	L3 Closed Length Kapalı Boy
S1027P0026M	150	345	820	475
S1027P0027M	200			
S1027P0028M	250			
S1027P0029M	300			
S1027P0030M	350			
S1027P0031M	400			
S1027P0032M	500			
S1027P0033M	600			
S1027P0034M	700			
S1027P0035M	750			
S1027P0036M	800			
S1027P0037M	850			
S1027P0038M	900	395	920	525
S1027P0039M	150			
S1027P0040M	200			
S1027P0041M	250			
S1027P0042M	300			
S1027P0043M	350			
S1027P0044M	400			
S1027P0045M	450			
S1027P0046M	500			
S1027P0047M	550			
S1027P0048M	600			
S1027P0049M	650			
S1027P0050M	700			

GAYSAN LIFT AMORTİSÖRÜ STANDARTLARI / GAYSAN GAS SPRING LIFT STANDARDS											
STROKE STROK (mm)	25-50	51-100	101-150	151-200	201-250	251-300	301-350	351-400	401-450	451-500	501- →
DAMPENING FRENLEME (mm) 25	15	20	25	30	35	40	45	50	55	60	65
EXTENSION SPEED AÇILMA HIZI (mm/sn)	100-300										
ROD / TUBE END FITTINGS MİL / BORU BAĞLANTISI	GAYSAN END FITTING CATALOG / GAYSAN BAĞLANTI KATALOĞU										

Dimensions in mm / We reserve the right to make modifications. Ölçülerde değişiklik yapma hakkımız saklıdır.

## 10-27 STAINLESS STEEL LIFT

7275



P360

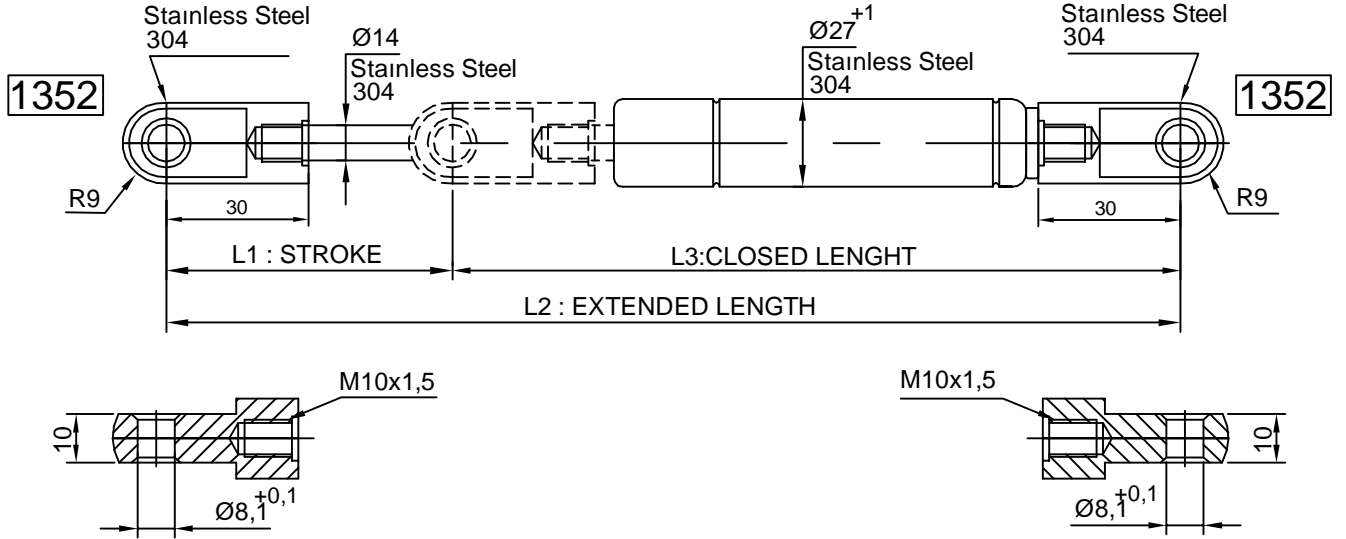
Ref.No.	F1 ( N )	L1 Stroke Strok	L2 Extended Length Açık Boy	L3 Closed Length Kapalı Boy
S1027P0001D	700	100	270	170
S1027P0002D	800			
S1027P0003D	900			
S1027P0004D	700	150	370	220
S1027P0005D	800			
S1027P0006D	900			
S1027P0007D	700	200	470	270
S1027P0008D	800			
S1027P0009D	900			
S1027P0010D	700	250	570	320
S1027P0011D	800			
S1027P0012D	900			
S1027P0013D	150	300	685	385
S1027P0014D	200			
S1027P0015D	250			
S1027P0016D	300			
S1027P0017D	350			
S1027P0018D	400			
S1027P0019D	500			
S1027P0020D	600			
S1027P0021D	700			
S1027P0022D	750			
S1027P0023D	800			
S1027P0024D	850			
S1027P0025D	900			

Ref.No.	F1 ( N )	L1 Stroke Strok	L2 Extended Length Açık Boy	L3 Closed Length Kapalı Boy
S1027P0026D	150	350	785	435
S1027P0027D	200			
S1027P0028D	250			
S1027P0029D	300			
S1027P0030D	350			
S1027P0031D	400			
S1027P0032D	500			
S1027P0033D	600			
S1027P0034D	700			
S1027P0035D	750			
S1027P0036D	800			
S1027P0037D	850	400	885	485
S1027P0038D	900			
S1027P0039D	150			
S1027P0040D	200			
S1027P0041D	250			
S1027P0042D	300			
S1027P0043D	350			
S1027P0044D	400			
S1027P0045D	450			
S1027P0046D	500			
S1027P0047D	550			
S1027P0048D	600			
S1027P0049D	650			
S1027P0050D	700			

GAYSAN LIFT AMORTİSÖRÜ STANDARTLARI / GAYSAN GAS SPRING LIFT STANDARDS											
STROKE STROK (mm)	25-50	51-100	101-150	151-200	201-250	251-300	301-350	351-400	401-450	451-500	501- →
DAMPENING FRENLEME (mm) 25	15	20	25	30	35	40	45	50	55	60	65
EXTENSION SPEED AÇILMA HIZI (mm/sn)	100-300										
ROD / TUBE END FITTINGS MİL / BORU BAĞLANTISI	GAYSAN END FITTING CATALOG / GAYSAN BAĞLANTI KATALOĞU										

Dimensions in mm / We reserve the right to make modifications. Ölçülerde değişiklik yapma hakkımız saklıdır.

## 14-27 STAINLESS STEEL LIFT



Ref.No.	F1 ( N )	L1 Stroke Strok	L2 Extended Length Açık Boy	L3 Closed Length Kapalı Boy
S1427P0001M	1300	100	330	230
S1427P0002M	1500			
S1427P0003M	1600			
S1427P0004M	1700			
S1427P0005M	1800			
S1427P0006M	1300	150	430	280
S1427P0007M	1500			
S1427P0008M	1600			
S1427P0009M	1700			
S1427P0010M	1800			
S1427P0011M	1300	200	530	330
S1427P0012M	1500			
S1427P0013M	1600			
S1427P0014M	1700			
S1427P0015M	1800			
S1427P0016M	1300	250	630	380
S1427P0017M	1500			
S1427P0018M	1600			
S1427P0019M	1700			
S1427P0020M	1800			
S1427P0021M	1300	300	730	430
S1427P0022M	1500			
S1427P0023M	1600			
S1427P0024M	1700			
S1427P0025M	1800			

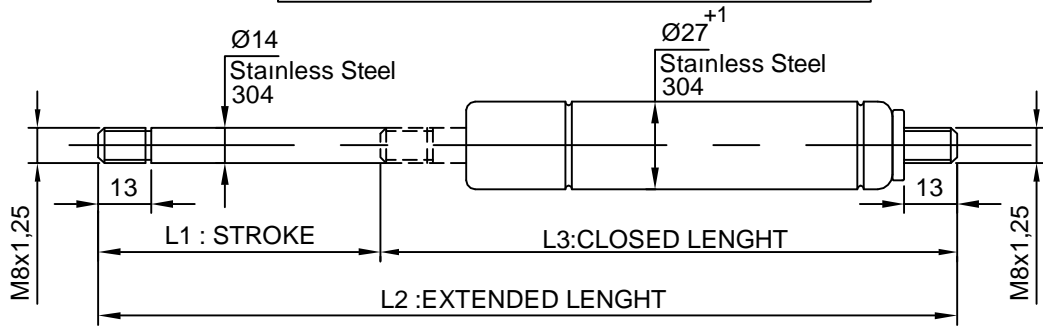
Ref.No.	F1 ( N )	L1 Stroke Strok	L2 Extended Length Açık Boy	L3 Closed Length Kapalı Boy
S1427P0026M	1300	350	830	480
S1427P0027M	1500			
S1427P0028M	1600			
S1427P0029M	1700			
S1427P0030M	1800			
S1427P0031M	1200	400	930	530
S1427P0032M	1300			
S1427P0033M	1400			
S1427P0034M	1500			
S1427P0035M	1600			
S1427P0036M	500	500	1130	630
S1427P0037M	600			
S1427P0038M	700			
S1427P0039M	800			
S1427P0040M	900			
S1427P0041M	1000	1100	1300	1500
S1427P0042M	1100			
S1427P0043M	1300			
S1427P0044M	1400			
S1427P0045M	1500			

GAYSAN LIFT AMORTİSÖRÜ STANDARTLARI / GAYSAN GAS SPRING LIFT STANDARDS											
STROKE STROK (mm)	25-50	51-100	101-150	151-200	201-250	251-300	301-350	351-400	401-450	451-500	501- →
DAMPENING FRENLEME (mm) 25	15	20	25	30	35	40	45	50	55	60	65
EXTENSION SPEED AÇILMA HIZI (mm/sn)	100-300										
ROD / TUBE END FITTINGS MİL / BORU BAĞLANTISI	GAYSAN END FITTING CATALOG / GAYSAN BAĞLANTI KATALOĞU										

Dimensions in mm / We reserve the right to make modifications. Ölçülerde değişiklik yapma hakkımız saklıdır.

## 14-27 STAINLESS STEEL LIFT

1933



P376

Ref.No.	F1 ( N )	L1 Stroke Strok	L2 Extended Length Açık Boy	L3 Closed Length Kapalı Boy
S1427P0001D	1300	100	300	200
S1427P0002D	1500			
S1427P0003D	1600			
S1427P0004D	1700			
S1427P0005D	1800			
S1427P0006D	1300	150	400	250
S1427P0007D	1500			
S1427P0008D	1600			
S1427P0009D	1700			
S1427P0010D	1800			
S1427P0011D	1300	200	500	300
S1427P0012D	1500			
S1427P0013D	1600			
S1427P0014D	1700			
S1427P0015D	1800			
S1427P0016D	1300	250	600	350
S1427P0017D	1500			
S1427P0018D	1600			
S1427P0019D	1700			
S1427P0020D	1800			
S1427P0021D	1300	300	700	400
S1427P0022D	1500			
S1427P0023D	1600			
S1427P0024D	1700			
S1427P0025D	1800			

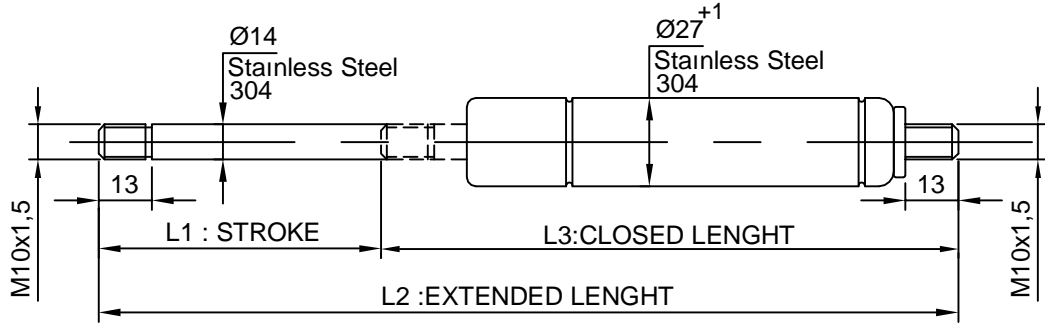
Ref.No.	F1 ( N )	L1 Stroke Strok	L2 Extended Length Açık Boy	L3 Closed Length Kapalı Boy
S1427P0026D	1300	350	800	450
S1427P0027D	1500			
S1427P0028D	1600			
S1427P0029D	1700			
S1427P0030D	1800			
S1427P0031D	1200	400	900	500
S1427P0032D	1300			
S1427P0033D	1400			
S1427P0034D	1500			
S1427P0035D	1600			
S1427P0036D	500	500	1100	600
S1427P0037D	600			
S1427P0038D	700			
S1427P0039D	800			
S1427P0040D	900			
S1427P0041D	1000			
S1427P0042D	1100			
S1427P0043D	1300			
S1427P0044D	1400			
S1427P0045D	1500			

GAYSAN LIFT AMORTİSÖRÜ STANDARTLARI / GAYSAN GAS SPRING LIFT STANDARDS											
STROKE STROK (mm)	25-50	51-100	101-150	151-200	201-250	251-300	301-350	351-400	401-450	451-500	501- →
DAMPENING FRENLEME (mm) 25	15	20	25	30	35	40	45	50	55	60	65
EXTENSION SPEED AÇILMA HIZI (mm/sn)	100-300										
ROD / TUBE END FITTINGS MİL / BORU BAĞLANTISI	GAYSAN END FITTING CATALOG / GAYSAN BAĞLANTI KATALOĞU										

Dimensions in mm / We reserve the right to make modifications. Ölçülerde değişiklik yapma hakkımız saklıdır.

## 14-27 STAINLESS STEEL LIFT

1940



P378

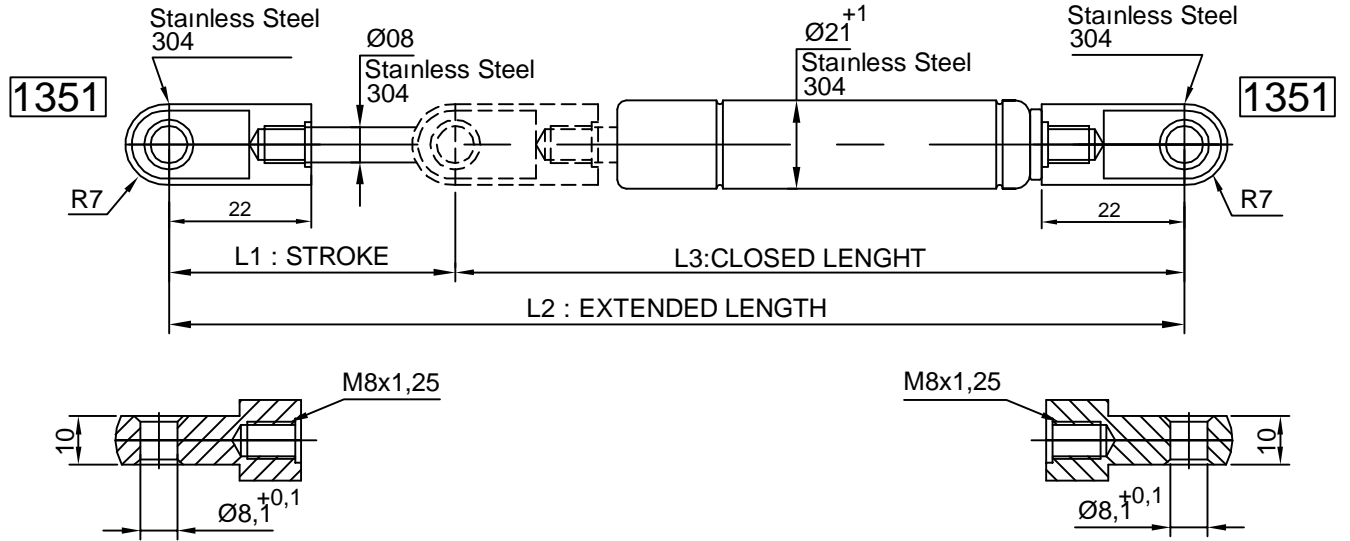
Ref.No.	F1 ( N )	L1 Stroke Strok	L2 Extended Lenght Açık Boy	L3 Closed Lenght Kapalı Boy
S1427P0101D	1300	100	300	200
S1427P0102D	1500			
S1427P0103D	1600			
S1427P0104D	1700			
S1427P0105D	1800			
S1427P0106D	1300	150	400	250
S1427P0107D	1500			
S1427P0108D	1600			
S1427P0109D	1700			
S1427P0110D	1800			
S1427P0111D	1300	200	500	300
S1427P0112D	1500			
S1427P0113D	1600			
S1427P0114D	1700			
S1427P0115D	1800			
S1427P0116D	1300	250	600	350
S1427P0117D	1500			
S1427P0118D	1600			
S1427P0119D	1700			
S1427P0120D	1800			
S1427P0121D	1300	300	700	400
S1427P0122D	1500			
S1427P0123D	1600			
S1427P0124D	1700			
S1427P0125D	1800			

Ref.No.	F1 ( N )	L1 Stroke Strok	L2 Extended Lenght Açık Boy	L3 Closed Lenght Kapalı Boy
S1427P0126D	1300	350	800	450
S1427P0127D	1500			
S1427P0128D	1600			
S1427P0129D	1700			
S1427P0130D	1800			
S1427P0131D	1200	400	900	500
S1427P0132D	1300			
S1427P0133D	1400			
S1427P0134D	1500			
S1427P0135D	1600			
S1427P0136D	500	500	1100	600
S1427P0137D	600			
S1427P0138D	700			
S1427P0139D	800			
S1427P0140D	900			
S1427P0141D	1000			
S1427P0142D	1100			
S1427P0143D	1300			
S1427P0144D	1400			
S1427P0145D	1500			

GAYSAN LIFT AMORTİSÖRÜ STANDARTLARI / GAYSAN GAS SPRING LIFT STANDARDS											
STROKE STROK (mm)	25-50	51-100	101-150	151-200	201-250	251-300	301-350	351-400	401-450	451-500	501- →
DAMPENING FRENLEME (mm) <sup>±5</sup>	15	20	25	30	35	40	45	50	55	60	65
EXTENSION SPEED AÇILMA HIZI (mm/sn)	100-300										
ROD / TUBE END FITTINGS MİL / BORU BAĞLANTISI	GAYSAN END FITTING CATALOG / GAYSAN BAĞLANTI KATALOĞU										

Dimensions in mm / We reserve the right to make modifications. Ölçülerde değişiklik yapma hakkımız saklıdır.

## 08-21 STAINLESS STEEL LIFT



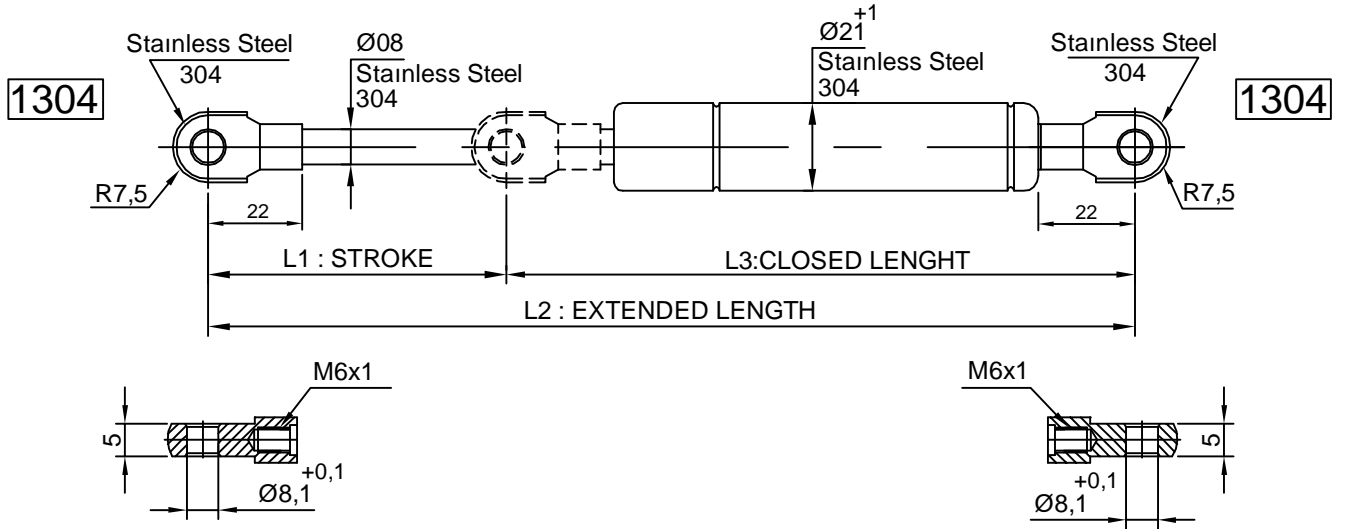
Ref.No.	F1 ( N )	L1 Stroke Strok	L2 Extended Lenght Açık Boy	L3 Closed Lenght Kapalı Boy			
S0821P0001M	400	60	220	160			
S0821P0002M	500						
S0821P0003M	400						
S0821P0004M	500	80	260	180			
S0821P0005M	400						
S0821P0006M	500	100	300	200			
S0821P0007M	400						
S0821P0008M	500	120	340	220			
S0821P0009M	300						
S0821P0010M	400	140	380	240			
S0821P0011M	500						
S0821P0012M	100						
S0821P0013M	150	160	420	260			
S0821P0014M	200						
S0821P0015M	250						
S0821P0016M	300						
S0821P0017M	350						
S0821P0018M	400						
S0821P0019M	450						
S0821P0020M	500						
S0821P0021M	100				180	460	280
S0821P0022M	150						
S0821P0023M	200						
S0821P0024M	250						
S0821P0025M	300						
S0821P0026M	350						
S0821P0027M	400						
S0821P0028M	450						
S0821P0029M	500						

Ref.No.	F1 ( N )	L1 Stroke Strok	L2 Extended Lenght Açık Boy	L3 Closed Lenght Kapalı Boy
S0821P0030M	100	200	500	300
S0821P0031M	150			
S0821P0032M	200			
S0821P0033M	250			
S0821P0034M	300			
S0821P0035M	350			
S0821P0036M	400			
S0821P0037M	450			
S0821P0038M	500			
S0821P0039M	100			
S0821P0040M	150			
S0821P0041M	200			
S0821P0042M	250			
S0821P0043M	300			
S0821P0044M	350			
S0821P0045M	400			
S0821P0046M	450			
S0821P0047M	500			
S0821P0048M	100	250	610	360
S0821P0049M	150			
S0821P0050M	200			
S0821P0051M	250			
S0821P0052M	300			
S0821P0053M	350			
S0821P0054M	400			
S0821P0055M	500			

GAYSAN LIFT AMORTİSÖRÜ STANDARTLARI / GAYSAN GAS SPRING LIFT STANDARDS											
STROKE STROK (mm)	25-50	51-100	101-150	151-200	201-250	251-300	301-350	351-400	401-450	451-500	501-→
DAMPENING FRENLEME (mm)±5	15	20	25	30	35	40	45	50	55	60	65
EXTENSION SPEED AÇILMA HIZI (mm/sn)	100-300										
END / TUBE END FITTINGS MIL / BORU BAĞLANTISI	GAYSAN END FITTING CATALOG / GAYSAN BAĞLANTI KATALOĞU										

Dimensions in mm / We reserve the right to make modifications. Ölçülerde değişiklik yapma hakkımız saklıdır.

## 08-21 STAINLESS STEEL LIFT



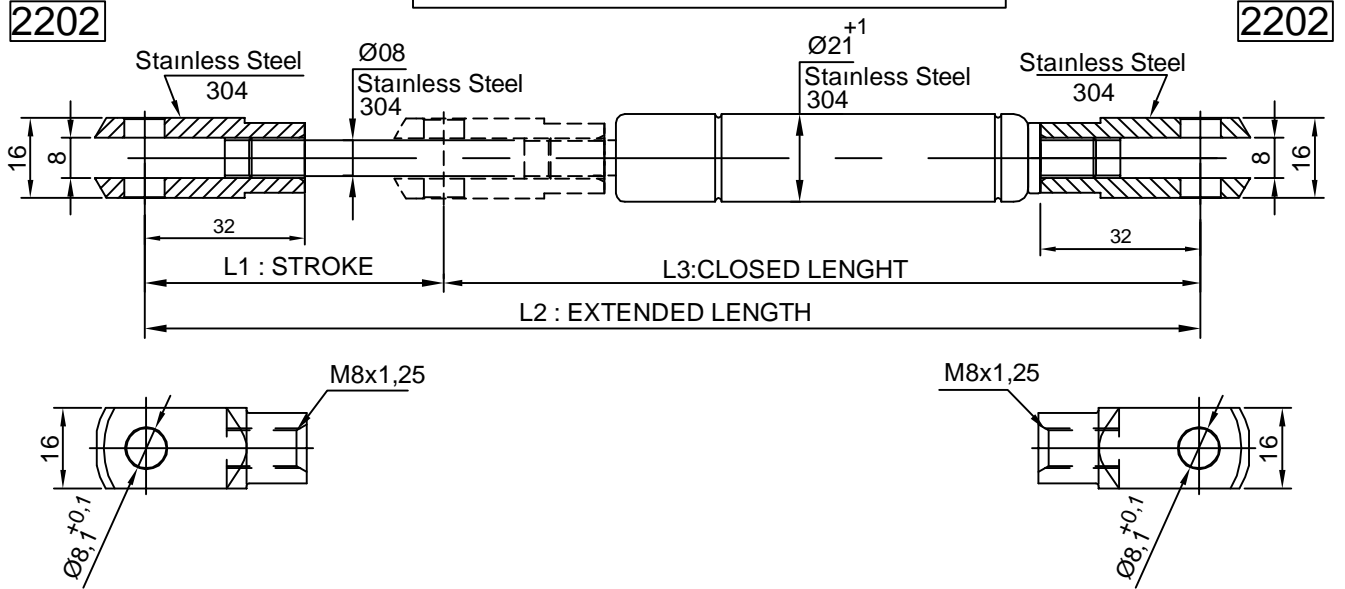
Ref.No.	F1 ( N )	L1 Stroke Strok	L2 Extended Lenght Açık Boy	L3 Closed Lenght Kapalı Boy			
S0821P0101M	400	60	220	160			
S0821P0102M	500						
S0821P0103M	400	80	260	180			
S0821P0104M	500						
S0821P0105M	400	100	300	200			
S0821P0106M	500						
S0821P0107M	400	120	340	220			
S0821P0108M	500						
S0821P0109M	300	140	380	240			
S0821P0110M	400						
S0821P0111M	500	160	420	260			
S0821P0112M	100						
S0821P0113M	150						
S0821P0114M	200						
S0821P0115M	250						
S0821P0116M	300						
S0821P0117M	350						
S0821P0118M	400						
S0821P0119M	450						
S0821P0120M	500						
S0821P0121M	100				180	460	280
S0821P0122M	150						
S0821P0123M	200						
S0821P0124M	250						
S0821P0125M	300						
S0821P0126M	350						
S0821P0127M	400						
S0821P0128M	450						
S0821P0129M	500						

Ref.No.	F1 ( N )	L1 Stroke Strok	L2 Extended Lenght Açık Boy	L3 Closed Lenght Kapalı Boy
S0821P0130M	100	200	500	300
S0821P0131M	150			
S0821P0132M	200			
S0821P0133M	250			
S0821P0134M	300			
S0821P0135M	350			
S0821P0136M	400	220	540	320
S0821P0137M	450			
S0821P0138M	500			
S0821P0139M	100			
S0821P0140M	150			
S0821P0141M	200			
S0821P0142M	250	250	610	360
S0821P0143M	300			
S0821P0144M	350			
S0821P0145M	400			
S0821P0146M	450			
S0821P0147M	500			
S0821P0148M	100			
S0821P0149M	150			
S0821P0150M	200			
S0821P0151M	250			
S0821P0152M	300			
S0821P0153M	350			
S0821P0154M	400			
S0821P0155M	500			

GAYSAN LIFT AMORTİSÖRÜ STANDARTLARI / GAYSAN GAS SPRING LIFT STANDARDS												
STROKE STROK (mm)	25-50	51-100	101-150	151-200	201-250	251-300	301-350	351-400	401-450	451-500	501-→	
DAMPENING FRENLEME (mm) ±5	15	20	25	30	35	40	45	50	55	60	65	
EXTENSION SPEED AÇILMA HIZI (mm/sn)	100-300											
ROD / TUBE END FITTINGS MIL / BORU BAĞLANTISI	GAYSAN END FITTING CATALOG / GAYSAN BAĞLANTI KATALOĞU											

Dimensions in mm / We reserve the right to make modifications. Ölçülerde değişiklik yapma hakkımız saklıdır.

## 08-21 STAINLESS STEEL LIFT



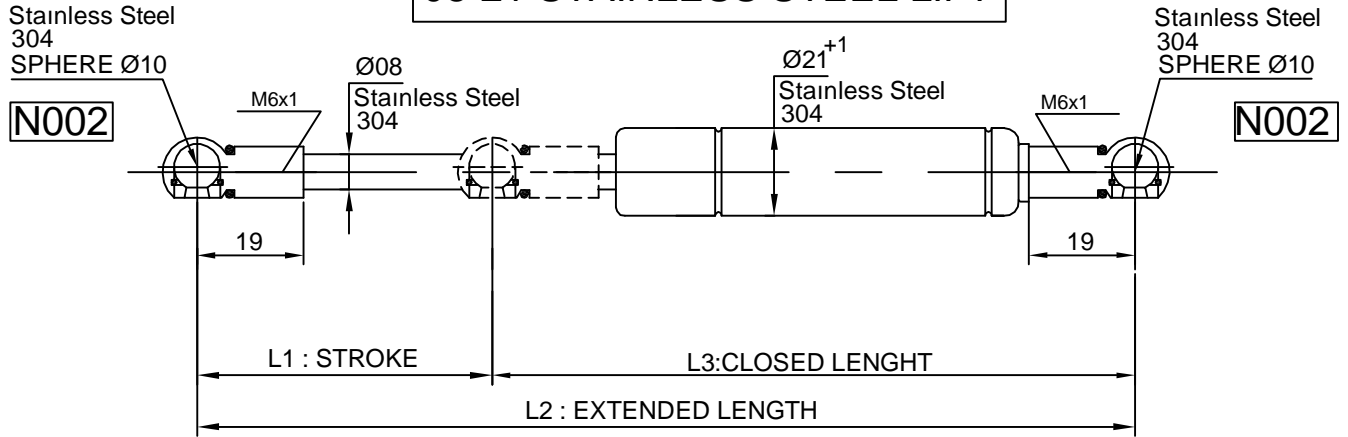
Ref.No.	F1 ( N )	L1 Stroke Strok	L2 Extended Lenght Açık Boy	L3 Closed Lenght Kapalı Boy
S0821P0201M	400	60	240	180
S0821P0202M	500			
S0821P0203M	400	80	280	200
S0821P0204M	500			
S0821P0205M	400	100	320	220
S0821P0206M	500			
S0821P0207M	400	120	360	240
S0821P0208M	500			
S0821P0209M	300	140	400	260
S0821P0210M	400			
S0821P0211M	500	160	440	280
S0821P0212M	100			
S0821P0213M	150			
S0821P0214M	200			
S0821P0215M	250			
S0821P0216M	300			
S0821P0217M	350			
S0821P0218M	400			
S0821P0219M	450			
S0821P0220M	500			
S0821P0221M	100	180	480	300
S0821P0222M	150			
S0821P0223M	200			
S0821P0224M	250			
S0821P0225M	300			
S0821P0226M	350			
S0821P0227M	400			
S0821P0228M	450			
S0821P0229M	500			

Ref.No.	F1 ( N )	L1 Stroke Strok	L2 Extended Lenght Açık Boy	L3 Closed Lenght Kapalı Boy
S0821P0230M	100	200	520	320
S0821P0231M	150			
S0821P0232M	200			
S0821P0233M	250			
S0821P0234M	300			
S0821P0235M	350	220	560	340
S0821P0236M	400			
S0821P0237M	450			
S0821P0238M	500			
S0821P0239M	100			
S0821P0240M	150			
S0821P0241M	200			
S0821P0242M	250			
S0821P0243M	300			
S0821P0244M	350			
S0821P0245M	400	250	630	380
S0821P0246M	450			
S0821P0247M	500			
S0821P0248M	100			
S0821P0249M	150			
S0821P0250M	200			
S0821P0251M	250			
S0821P0252M	300			
S0821P0253M	350			
S0821P0254M	400			
S0821P0255M	500			

GAYSAN LIFT AMORTİSÖRÜ STANDARTLARI / GAYSAN GAS SPRING LIFT STANDARDS												
STROKE STROK (mm)	25-50	51-100	101-150	151-200	201-250	251-300	301-350	351-400	401-450	451-500	501-→	
DAMPENING FRENLEME (mm) ±5	15	20	25	30	35	40	45	50	55	60	65	
EXTENSION SPEED AÇILMA HIZI (mm/sn)	100-300											
ROD / TUBE END FITTINGS MIL / BORU BAĞLANTISI	GAYSAN END FITTING CATALOG / GAYSAN BAĞLANTI KATALOĞU											

Dimensions in mm / We reserve the right to make modifications. Ölçülerde değişiklik yapma hakkımız saklıdır.

## 08-21 STAINLESS STEEL LIFT



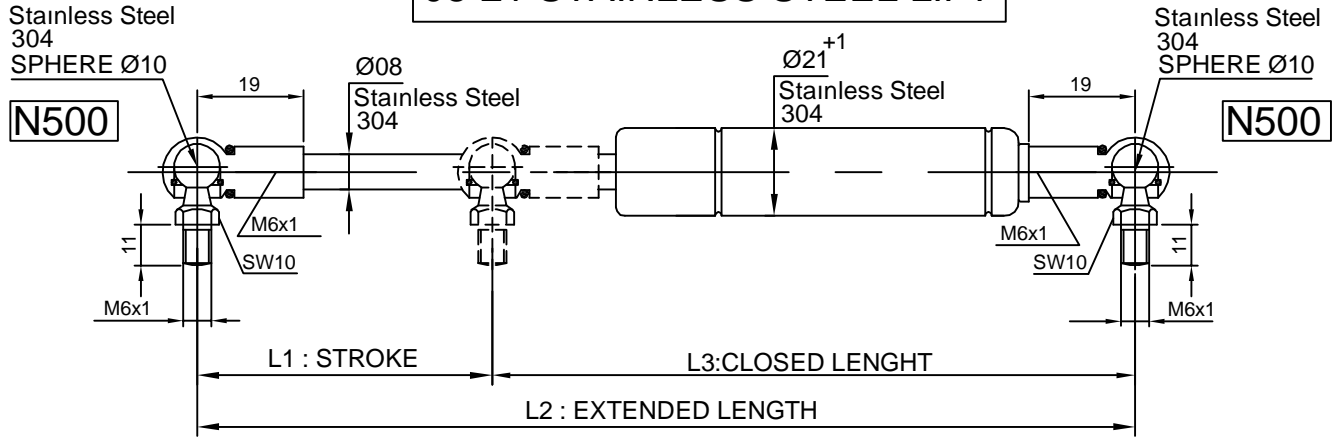
Ref.No.	F1 ( N )	L1 Stroke Strok	L2 Extended Lenght Açık Boy	L3 Closed Lenght Kapalı Boy			
S0821P0301M	400	60	220	160			
S0821P0302M	500						
S0821P0303M	400	80	260	180			
S0821P0304M	500						
S0821P0305M	400	100	300	200			
S0821P0306M	500						
S0821P0307M	400	120	340	220			
S0821P0308M	500						
S0821P0309M	300	140	380	240			
S0821P0310M	400						
S0821P0311M	500	160	420	260			
S0821P0312M	100						
S0821P0313M	150						
S0821P0314M	200						
S0821P0315M	250						
S0821P0316M	300						
S0821P0317M	350						
S0821P0318M	400						
S0821P0319M	450						
S0821P0320M	500						
S0821P0321M	100				180	460	280
S0821P0322M	150						
S0821P0323M	200						
S0821P0324M	250						
S0821P0325M	300						
S0821P0326M	350						
S0821P0327M	400						
S0821P0328M	450						
S0821P0329M	500						

Ref.No.	F1 ( N )	L1 Stroke Strok	L2 Extended Lenght Açık Boy	L3 Closed Lenght Kapalı Boy
S0821P0330M	100	200	500	300
S0821P0331M	150			
S0821P0332M	200			
S0821P0333M	250			
S0821P0334M	300			
S0821P0335M	350			
S0821P0336M	400			
S0821P0337M	450			
S0821P0338M	500			
S0821P0339M	100			
S0821P0340M	150			
S0821P0341M	200			
S0821P0342M	250			
S0821P0343M	300			
S0821P0344M	350			
S0821P0345M	400			
S0821P0346M	450			
S0821P0347M	500			
S0821P0348M	100	250	610	360
S0821P0349M	150			
S0821P0350M	200			
S0821P0351M	250			
S0821P0352M	300			
S0821P0353M	350			
S0821P0354M	400			
S0821P0355M	500			

GAYSAN LIFT AMORTİSÖRÜ STANDARTLARI / GAYSAN GAS SPRING LIFT STANDARDS												
STROKE STROK (mm)	25-50	51-100	101-150	151-200	201-250	251-300	301-350	351-400	401-450	451-500	501-→	
DAMPENING FRENLEME (mm) ±5	15	20	25	30	35	40	45	50	55	60	65	
EXTENSION SPEED AÇILMA HIZI (mm/sn)	100-300											
ROD / TUBE END FITTINGS MİL / BORU BAĞLANTISI	GAYSAN END FITTING CATALOG / GAYSAN BAĞLANTI KATALOĞU											

Dimensions in mm / We reserve the right to make modifications. Ölçülerde değişiklik yapma hakkımız saklıdır.

## 08-21 STAINLESS STEEL LIFT



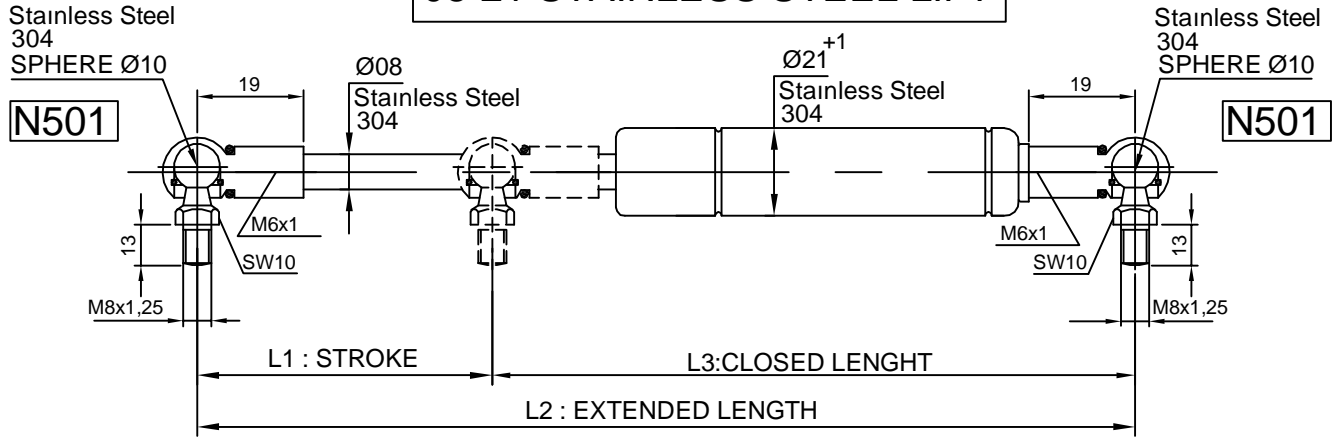
Ref.No.	F1 ( N )	L1 Stroke Strok	L2 Extended Lenght Açık Boy	L3 Closed Lenght Kapalı Boy			
S0821P0401M	400	60	220	160			
S0821P0402M	500						
S0821P0403M	400	80	260	180			
S0821P0404M	500						
S0821P0405M	400	100	300	200			
S0821P0406M	500						
S0821P0407M	400	120	340	220			
S0821P0408M	500						
S0821P0409M	300	140	380	240			
S0821P0410M	400						
S0821P0411M	500	160	420	260			
S0821P0412M	100						
S0821P0413M	150						
S0821P0414M	200						
S0821P0415M	250						
S0821P0416M	300						
S0821P0417M	350						
S0821P0418M	400						
S0821P0419M	450						
S0821P0420M	500						
S0821P0421M	100				180	460	280
S0821P0422M	150						
S0821P0423M	200						
S0821P0424M	250						
S0821P0425M	300						
S0821P0426M	350						
S0821P0427M	400						
S0821P0428M	450						
S0821P0429M	500						

Ref.No.	F1 ( N )	L1 Stroke Strok	L2 Extended Lenght Açık Boy	L3 Closed Lenght Kapalı Boy
S0821P0430M	100	200	500	300
S0821P0431M	150			
S0821P0432M	200			
S0821P0433M	250			
S0821P0434M	300			
S0821P0435M	350			
S0821P0436M	400			
S0821P0437M	450			
S0821P0438M	500	220	540	320
S0821P0439M	100			
S0821P0440M	150			
S0821P0441M	200			
S0821P0442M	250			
S0821P0443M	300			
S0821P0444M	350			
S0821P0445M	400			
S0821P0446M	450			
S0821P0447M	500			
S0821P0448M	100	250	610	360
S0821P0449M	150			
S0821P0450M	200			
S0821P0451M	250			
S0821P0452M	300			
S0821P0453M	350			
S0821P0454M	400			
S0821P0455M	500			

GAYSAN LIFT AMORTİSÖRÜ STANDARTLARI / GAYSAN GAS SPRING LIFT STANDARDS											
STROKE STROK (mm)	25-50	51-100	101-150	151-200	201-250	251-300	301-350	351-400	401-450	451-500	501-→
DAMPENING FRENLEME (mm) ±5	15	20	25	30	35	40	45	50	55	60	65
EXTENSION SPEED AÇILMA HIZI (mm/sn)	100-300										
ROD / TUBE END FITTINGS MIL / BORU BAĞLANTISI	GAYSAN END FITTING CATALOG / GAYSAN BAĞLANTI KATALOĞU										

Dimensions in mm / We reserve the right to make modifications. Ölçülerde değişiklik yapma hakkımız saklıdır.

## 08-21 STAINLESS STEEL LIFT



Ref.No.	F1 ( N )	L1 Stroke Strok	L2 Extended Lenght Açık Boy	L3 Closed Lenght Kapalı Boy			
S0821P0501M	400	60	220	160			
S0821P0502M	500						
S0821P0503M	400	80	260	180			
S0821P0504M	500						
S0821P0505M	400	100	300	200			
S0821P0506M	500						
S0821P0507M	400	120	340	220			
S0821P0508M	500						
S0821P0509M	300	140	380	240			
S0821P0510M	400						
S0821P0511M	500	160	420	260			
S0821P0512M	100						
S0821P0513M	150						
S0821P0514M	200						
S0821P0515M	250						
S0821P0516M	300						
S0821P0517M	350						
S0821P0518M	400						
S0821P0519M	450						
S0821P0520M	500						
S0821P0521M	100				180	460	280
S0821P0522M	150						
S0821P0523M	200						
S0821P0524M	250						
S0821P0525M	300						
S0821P0526M	350						
S0821P0527M	400						
S0821P0528M	450						
S0821P0529M	500						

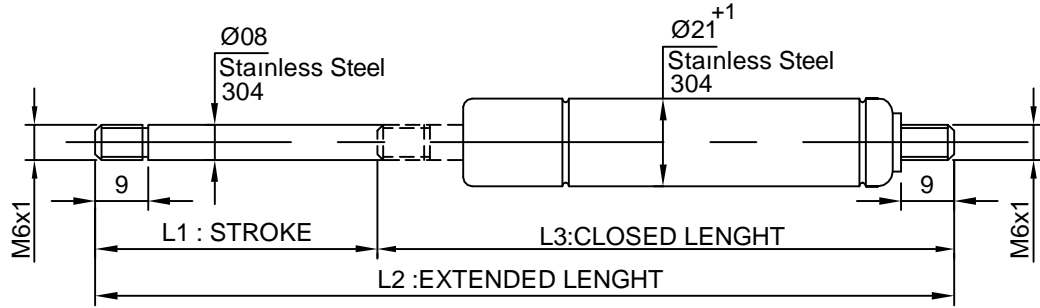
Ref.No.	F1 ( N )	L1 Stroke Strok	L2 Extended Lenght Açık Boy	L3 Closed Lenght Kapalı Boy
S0821P0530M	100	200	500	300
S0821P0531M	150			
S0821P0532M	200			
S0821P0533M	250			
S0821P0534M	300			
S0821P0535M	350			
S0821P0536M	400	220	540	320
S0821P0537M	450			
S0821P0538M	500			
S0821P0539M	100			
S0821P0540M	150			
S0821P0541M	200			
S0821P0542M	250			
S0821P0543M	300			
S0821P0544M	350			
S0821P0545M	400			
S0821P0546M	450	250	610	360
S0821P0547M	500			
S0821P0548M	100			
S0821P0549M	150			
S0821P0550M	200			
S0821P0551M	250			
S0821P0552M	300			
S0821P0553M	350			
S0821P0554M	400			
S0821P0555M	500			

GAYSAN LIFT AMORTİSÖRÜ STANDARTLARI / GAYSAN GAS SPRING LIFT STANDARDS											
STROKE STROK (mm)	25-50	51-100	101-150	151-200	201-250	251-300	301-350	351-400	401-450	451-500	501-→
DAMPENING FRENLEME (mm) ±5	15	20	25	30	35	40	45	50	55	60	65
EXTENSION SPEED AÇILMA HIZI (mm/sn)	100-300										
ROD / TUBE END FITTINGS MIL / BORU BAĞLANTISI	GAYSAN END FITTING CATALOG / GAYSAN BAĞLANTI KATALOĞU										

Dimensions in mm / We reserve the right to make modifications. Ölçülerde değişiklik yapma hakkımız saklıdır.

## 08-21 STAINLESS STEEL LIFT

1930



P312

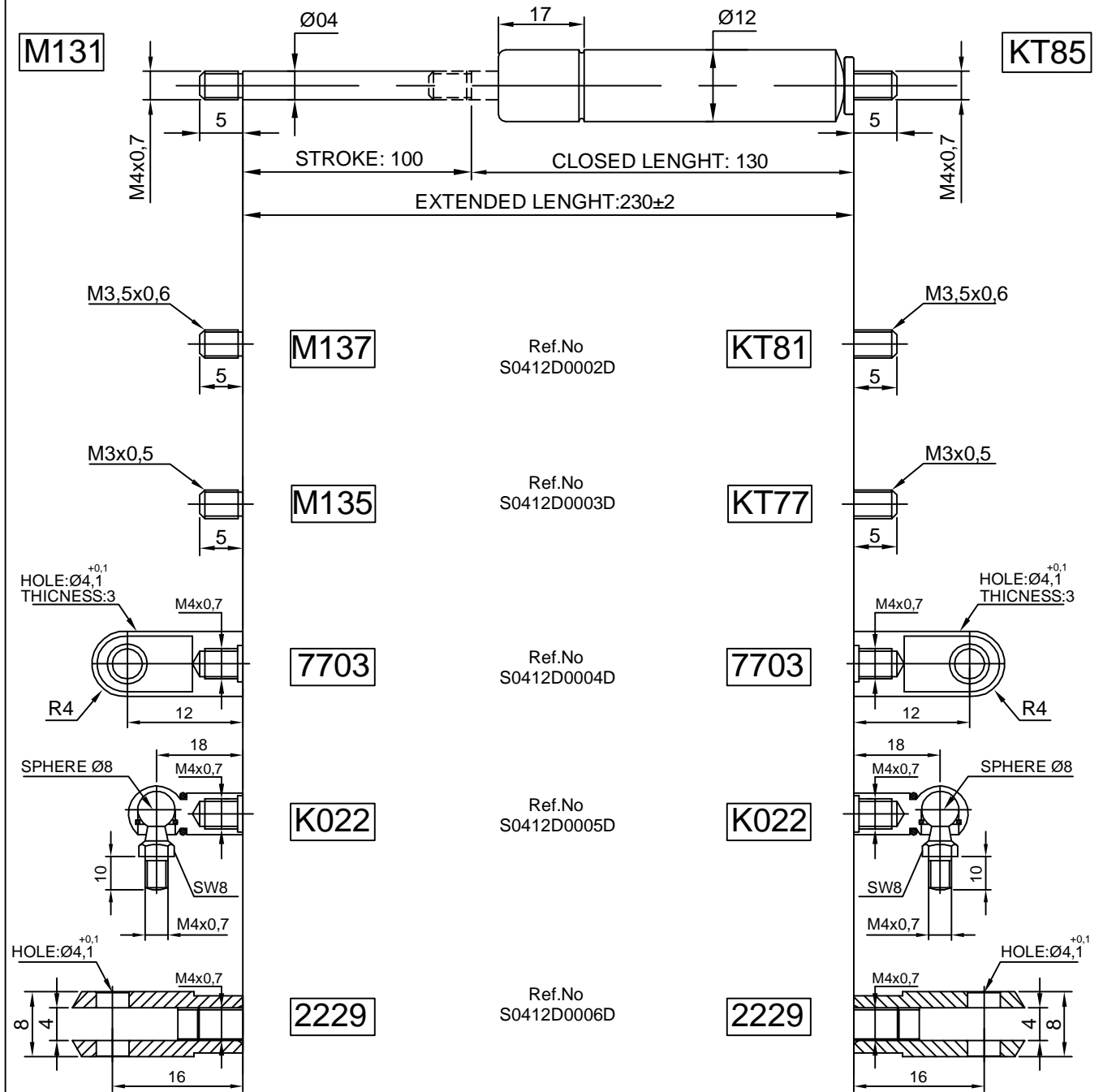
Ref.No.	F1 ( N )	L1 Stroke Strok	L2 Extended Lenght Açık Boy	L3 Closed Lenght Kapalı Boy
S0821P0001D	200	60	190	130
S0821P0002D	300			
S0821P0003D	400			
S0821P0004D	500			
S0821P0005D	200			
S0821P0006D	300	80	230	150
S0821P0007D	400			
S0821P0008D	500			
S0821P0009D	200	100	270	170
S0821P0010D	300			
S0821P0011D	400			
S0821P0012D	500			
S0821P0013D	200			
S0821P0014D	300	120	310	190
S0821P0015D	400			
S0821P0016D	500			
S0821P0017D	100	140	350	210
S0821P0018D	200			
S0821P0019D	300			
S0821P0020D	400			
S0821P0021D	500			
S0821P0022D	100	160	390	230
S0821P0023D	150			
S0821P0024D	200			
S0821P0025D	250			
S0821P0026D	300			
S0821P0027D	350			
S0821P0028D	375			
S0821P0029D	400			
S0821P0030D	450			
S0821P0031D	475			
S0821P0032D	500	180	435	255
S0821P0033D	100			
S0821P0034D	150			
S0821P0035D	200			
S0821P0036D	250			
S0821P0037D	300			
S0821P0038D	350			

Ref.No.	F1 ( N )	L1 Stroke Strok	L2 Extended Lenght Açık Boy	L3 Closed Lenght Kapalı Boy
S0821P0039D	375	180	435	255
S0821P0040D	400			
S0821P0041D	450			
S0821P0042D	475			
S0821P0043D	500			
S0821P0044D	100	200	475	275
S0821P0045D	150			
S0821P0046D	200			
S0821P0047D	250			
S0821P0048D	300			
S0821P0049D	350			
S0821P0050D	375			
S0821P0051D	400			
S0821P0052D	450			
S0821P0053D	475			
S0821P0054D	500	220	515	295
S0821P0055D	100			
S0821P0056D	150			
S0821P0057D	200			
S0821P0058D	250			
S0821P0059D	300			
S0821P0060D	350			
S0821P0061D	375			
S0821P0062D	400			
S0821P0063D	450			
S0821P0064D	475	250	585	335
S0821P0065D	500			
S0821P0066D	100			
S0821P0067D	150			
S0821P0068D	200			
S0821P0069D	250			
S0821P0070D	300			
S0821P0071D	350			
S0821P0072D	375			
S0821P0073D	400			
S0821P0074D	450			

GAYSAN LIFT AMORTİSÖRÜ STANDARTLARI / GAYSAN GAS SPRING LIFT STANDARDS												
STROKE STROK (mm)	25-50	51-100	101-150	151-200	201-250	251-300	301-350	351-400	401-450	451-500	501-→	
DAMPENING FRENLEME (mm) ±5	15	20	25	30	35	40	45	50	55	60	65	
EXTENSION SPEED AÇILMA HIZI (mm/sn)	100-300											
ROD / TUBE END FITTINGS MIL / BORU BAĞLANTISI	GAYSAN END FITTING CATALOG / GAYSAN BAĞLANTI KATALOĞU											

Dimensions in mm / We reserve the right to make modifications. Ölçülerde değişiklik yapma hakkımız saklıdır.

## 04-12 EXTENSION DAMPERS

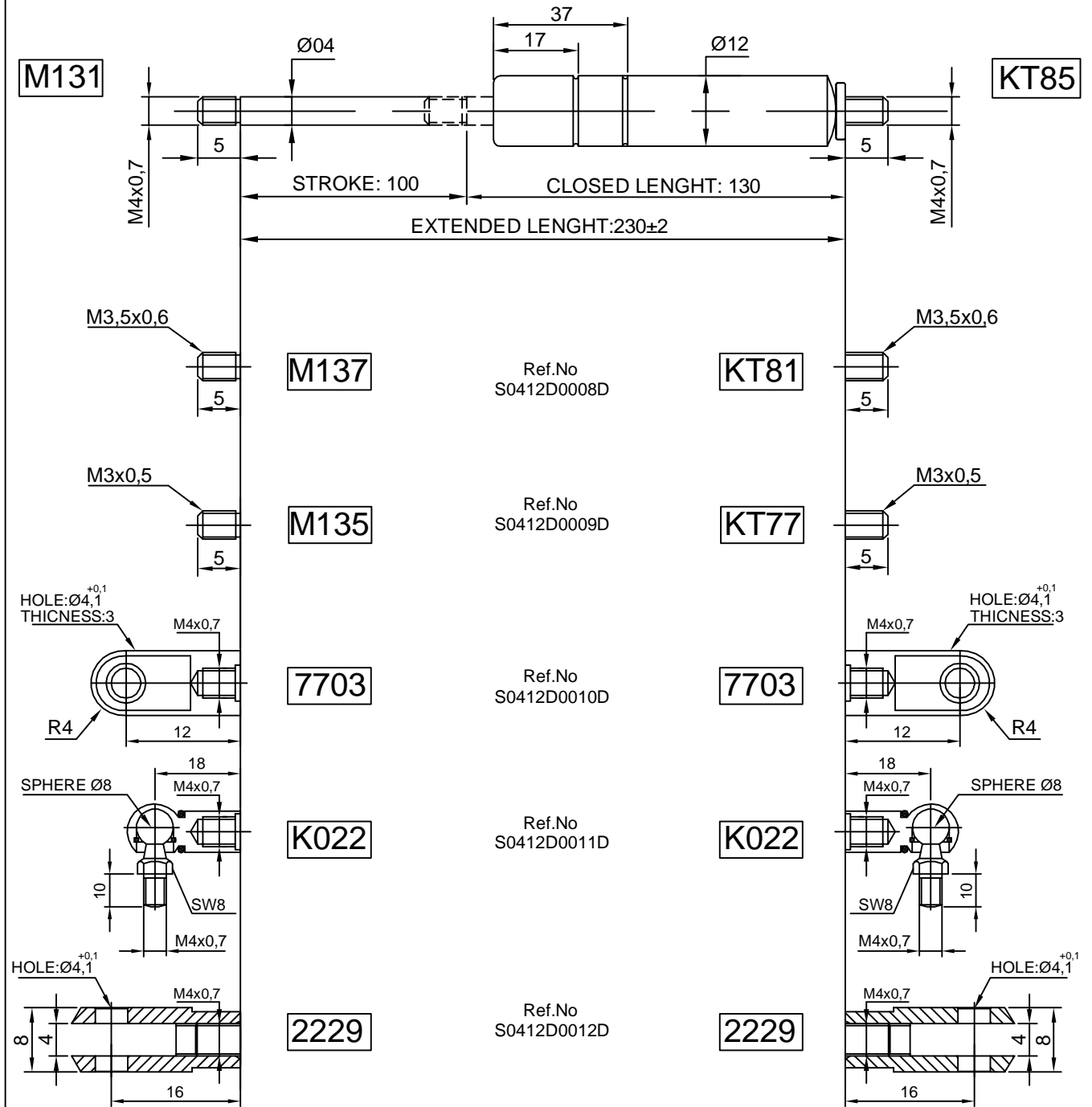
Ref.No  
S0412D0001D

## CUSTOMER'S REQUEST/ MÜŞTERİ İSTEĞİ

DAMPEN / DAMPER  
FORCE / KUVVETİ  
(N) / (N)

EXTENSION DAMPEN RATE / AÇILMA HIZI (mm/sn)  
COMPRESSION DAMPEN RATE / KAPANMA HIZI (mm/sn)  
EXT. AND COMP. DAMPEN RATE / AÇILMA VE KAPANMA HIZI (mm/sn)

## 04-12 COMPRESSION DAMPERS

Ref.No  
S0412D0007D

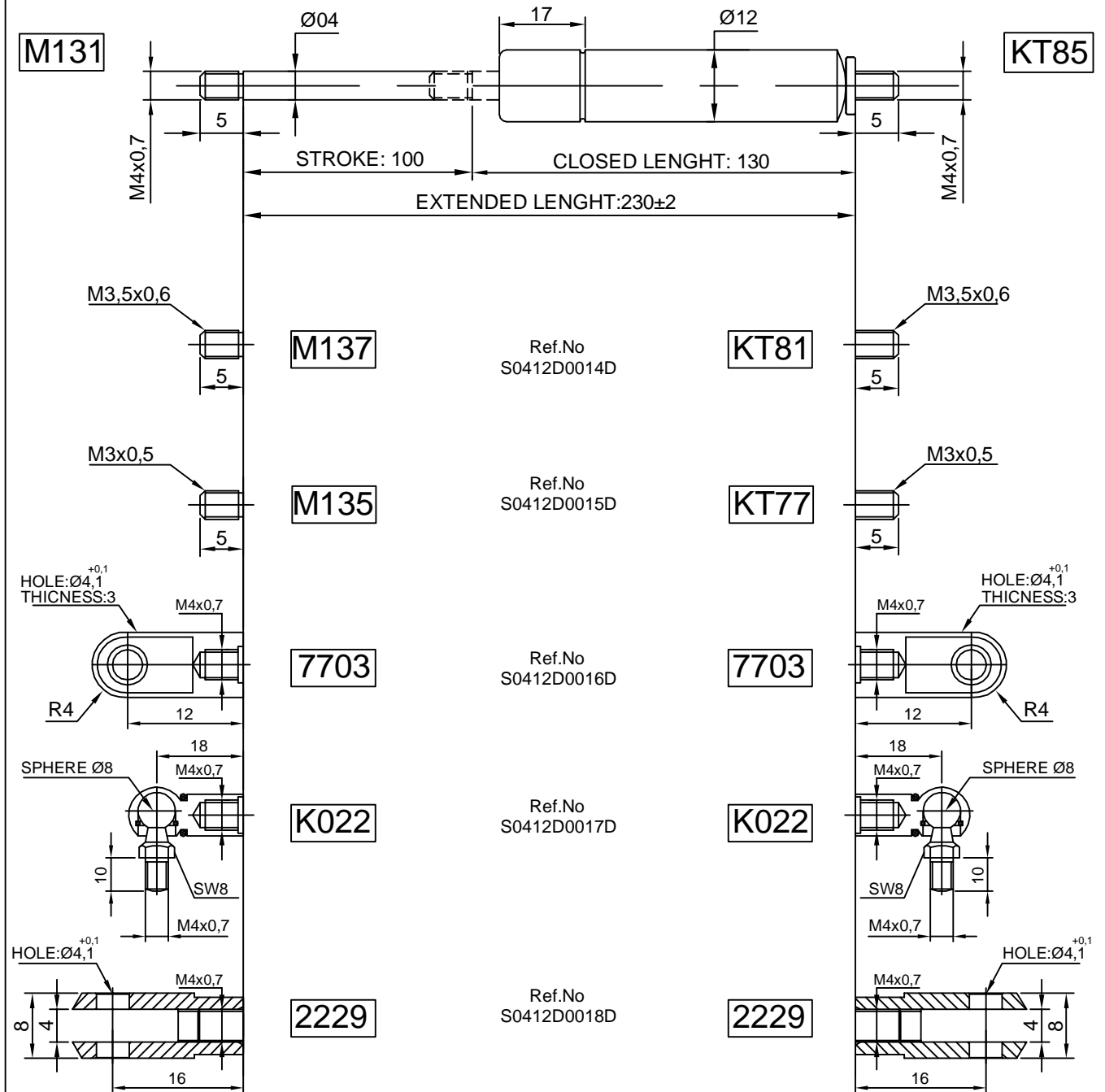
## CUSTOMER'S REQUEST/ MÜŞTERİ İSTEĞİ

DAMPEN / DAMPER  
FORCE / KUVVETİ  
(N) / (N)

EXTENSION DAMPEN RATE / AÇILMA HIZI (mm/sn)  
COMPRESSION DAMPEN RATE / KAPANMA HIZI (mm/sn)  
EXT. AND COMP. DAMPEN RATE / AÇILMA VE KAPANMA HIZI (mm/sn)

# 04-12 EXTENSION AND COMPRESSION DAMPERS

Ref.No  
S0412D0013D

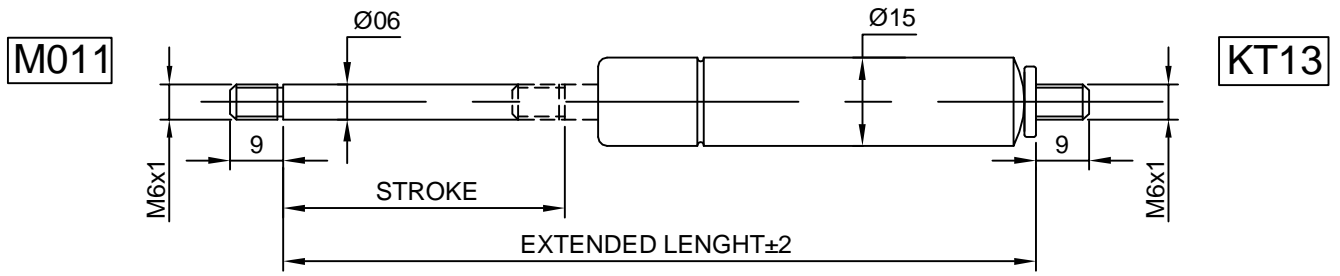


## CUSTOMER'S REQUEST/ MÜŞTERİ İSTEĞİ

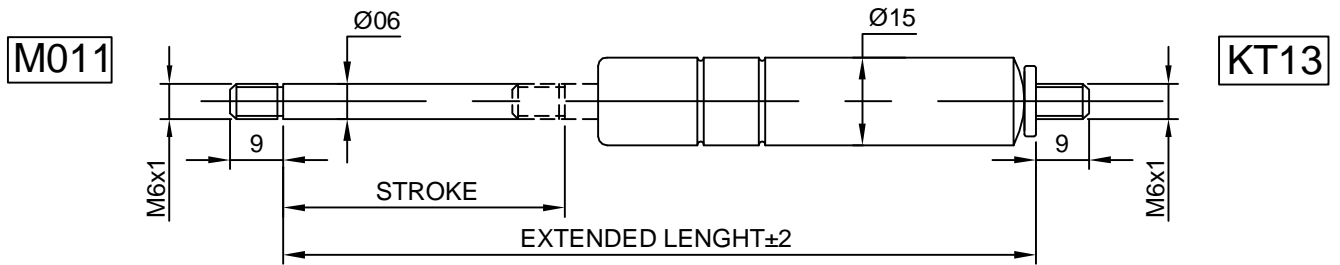
DAMPEN / DAMPER  
FORCE / KUVVETİ  
( N ) / ( N )

EXTENSION DAMPEN RATE / AÇILMA HIZI ( mm/sn )  
COMPRESSION DAMPEN RATE / KAPANMA HIZI ( mm/sn )  
EXT. AND COMP. DAMPEN RATE / AÇILMA VE KAPANMA HIZI ( mm/sn )

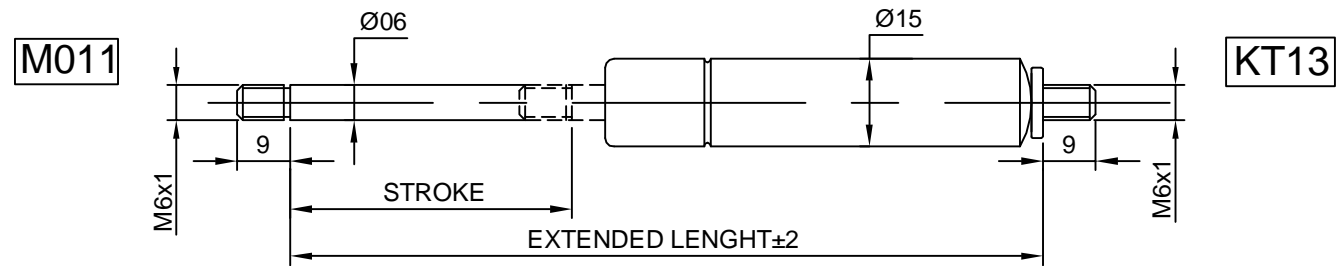
### 06-15 EXTENSION DAMPERS



### 06-15 COMPRESSION DAMPERS



### 06-15 EXTENSION AND COMPRESSION DAMPERS



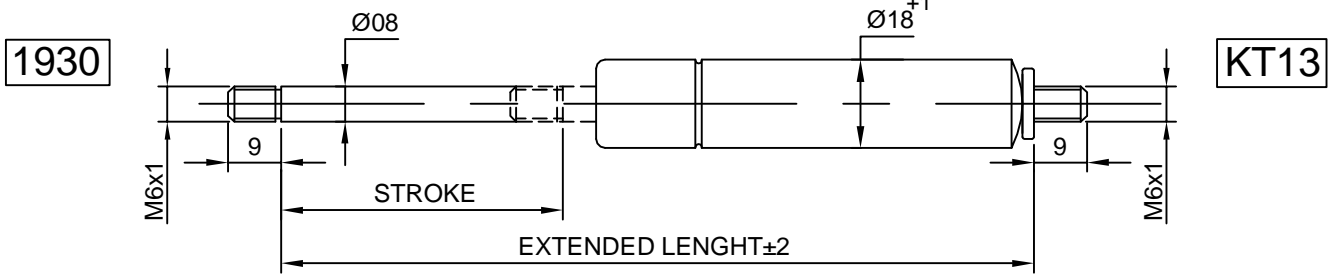
CUSTOMER'S REQUEST/ MÜŞTERİ İSTEĞİ

DAMPEN / DAMPER FORCE / KUVVETİ ( N ) / ( N )	←	EXTENSION DAMPEN RATE / AÇILMA HIZI ( mm/sn )
		COMPRESSION DAMPEN RATE / KAPANMA HIZI ( mm/sn )
		EXT. AND COMP.DAMPEN RATE / AÇILMA VE KAPANMA HIZI ( mm/sn )

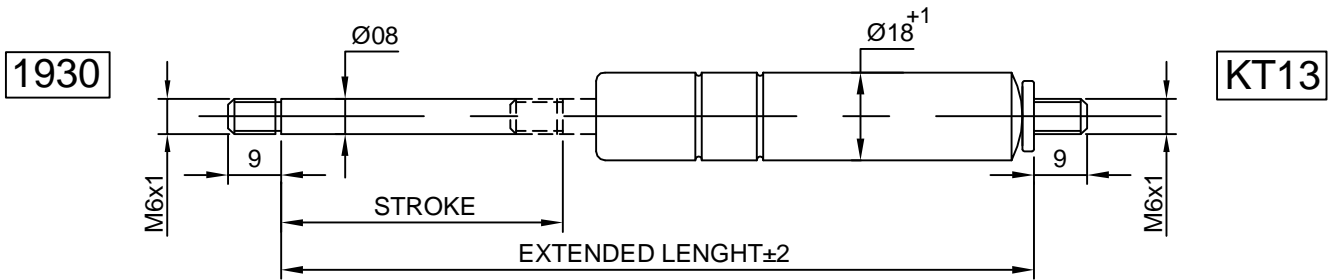
06-15 SERIES DAMPERS										
UNIT OF MEASURE	INCHES	INCHES	INCHES	INCHES	INCHES	INCHES			INCHES	IN/SEC
PART NUMBER	EXTENDED LENGTH	STROKE (MIN)	OVER TRAVEL	TOTAL TRAVEL	ROD DIAMETER	TUBE DIAMETER	BODY FINISH	ROD FINISH	DAMPENED HEIGHT	DAMPEN RATE
S0615D00001D / DA-200A-CC	6.47	2.00	0.1900	2.19	0.236	0.591	Black	Black Nitride	1.81	1.4
S0615D00002D / DA-200A-CJ	6.47	2.00	0.1900	2.19	0.236	0.591	Black	Black Nitride	1.81	1.7
S0615D00003D / DA-200A-CD	6.47	2.00	0.1900	2.19	0.236	0.591	Black	Black Nitride	1.81	2.3
S0615D00004D / DA-200A-CN	6.47	2.00	0.1900	2.19	0.236	0.591	Black	Black Nitride	1.81	3.2
S0615D00005D / DA-200A-CE	6.47	2.00	0.1900	2.19	0.236	0.591	Black	Black Nitride	1.81	3.8
S0615D00006D / DA-200A-EC	6.47	2.00	0.1900	2.19	0.236	0.591	Black	Black Nitride	1.81	2.3
S0615D00007D / DA-200A-EJ	6.47	2.00	0.1900	2.19	0.236	0.591	Black	Black Nitride	1.81	2.7
S0615D00008D / DA-200A-ED	6.47	2.00	0.1900	2.19	0.236	0.591	Black	Black Nitride	1.81	3.7
S0615D00009D / DA-200A-EN	6.47	2.00	0.1900	2.19	0.236	0.591	Black	Black Nitride	1.81	4.9
S0615D00010D / DA-200A-EE	6.47	2.00	0.1900	2.19	0.236	0.591	Black	Black Nitride	1.81	6.0
S0615D00011D / DA-300A-CC	8.60	3.00	0.1900	3.19	0.236	0.591	Black	Black Nitride	2.81	1.4
S0615D00012D / DA-300A-CJ	8.60	3.00	0.1900	3.19	0.236	0.591	Black	Black Nitride	2.81	1.7
S0615D00013D / DA-300A-CD	8.60	3.00	0.1900	3.19	0.236	0.591	Black	Black Nitride	2.81	2.3
S0615D00014D / DA-300A-CN	8.60	3.00	0.1900	3.19	0.236	0.591	Black	Black Nitride	2.81	3.2
S0615D00015D / DA-300A-CE	8.60	3.00	0.1900	3.19	0.236	0.591	Black	Black Nitride	2.81	3.8
S0615D00016D / DA-300A-EC	8.60	3.00	0.1900	3.19	0.236	0.591	Black	Black Nitride	2.81	2.3
S0615D00017D / DA-300A-EJ	8.60	3.00	0.1900	3.19	0.236	0.591	Black	Black Nitride	2.81	2.7
S0615D00018D / DA-300A-ED	8.60	3.00	0.1900	3.19	0.236	0.591	Black	Black Nitride	2.81	3.7
S0615D00019D / DA-300A-EN	8.60	3.00	0.1900	3.19	0.236	0.591	Black	Black Nitride	2.81	4.9
S0615D00020D / DA-300A-EE	8.60	3.00	0.1900	3.19	0.236	0.591	Black	Black Nitride	2.81	6.0
S0615D00021D / DA-400A-CC	11.08	4.00	0.3900	4.39	0.236	0.591	Black	Black Nitride	3.61	1.4
S0615D00022D / DA-400A-CJ	11.08	4.00	0.3900	4.39	0.236	0.591	Black	Black Nitride	3.61	1.7
S0615D00023D / DA-400A-CD	11.08	4.00	0.3900	4.39	0.236	0.591	Black	Black Nitride	3.61	2.3
S0615D00024D / DA-400A-CN	11.08	4.00	0.3900	4.39	0.236	0.591	Black	Black Nitride	3.61	3.2
S0615D00025D / DA-400A-CE	11.08	4.00	0.3900	4.39	0.236	0.591	Black	Black Nitride	3.61	3.8
S0615D00026D / DA-400A-EC	11.08	4.00	0.3900	4.39	0.236	0.591	Black	Black Nitride	3.61	2.3
S0615D00027D / DA-400A-EJ	11.08	4.00	0.3900	4.39	0.236	0.591	Black	Black Nitride	3.61	2.7
S0615D00028D / DA-400A-ED	11.08	4.00	0.3900	4.39	0.236	0.591	Black	Black Nitride	3.61	3.7
S0615D00029D / DA-400A-EN	11.08	4.00	0.3900	4.39	0.236	0.591	Black	Black Nitride	3.61	4.9
S0615D00030D / DA-400A-EE	11.08	4.00	0.3900	4.39	0.236	0.591	Black	Black Nitride	3.61	6.0
S0615D00031D / DA-500A-CC	13.60	5.00	0.3900	5.39	0.236	0.591	Black	Black Nitride	4.61	1.4
S0615D00032D / DA-500A-CJ	13.60	5.00	0.3900	5.39	0.236	0.591	Black	Black Nitride	4.61	1.7
S0615D00033D / DA-500A-CD	13.60	5.00	0.3900	5.39	0.236	0.591	Black	Black Nitride	4.61	2.3
S0615D00034D / DA-500A-CN	13.60	5.00	0.3900	5.39	0.236	0.591	Black	Black Nitride	4.61	3.2
S0615D00035D / DA-500A-CE	13.60	5.00	0.3900	5.39	0.236	0.591	Black	Black Nitride	4.61	3.8
S0615D00036D / DA-500A-EC	13.60	5.00	0.3900	5.39	0.236	0.591	Black	Black Nitride	4.61	2.3
S0615D00037D / DA-500A-EJ	13.60	5.00	0.3900	5.39	0.236	0.591	Black	Black Nitride	4.61	2.7
S0615D00038D / DA-500A-ED	13.60	5.00	0.3900	5.39	0.236	0.591	Black	Black Nitride	4.61	3.7
S0615D00039D / DA-500A-EN	13.60	5.00	0.3900	5.39	0.236	0.591	Black	Black Nitride	4.61	4.9
S0615D00040D / DA-500A-EE	13.60	5.00	0.3900	5.39	0.236	0.591	Black	Black Nitride	4.61	6.0

Dimensions in mm / We reserve the right to make modifications. Ölçülerde değişiklik yapma hakkımız saklıdır.

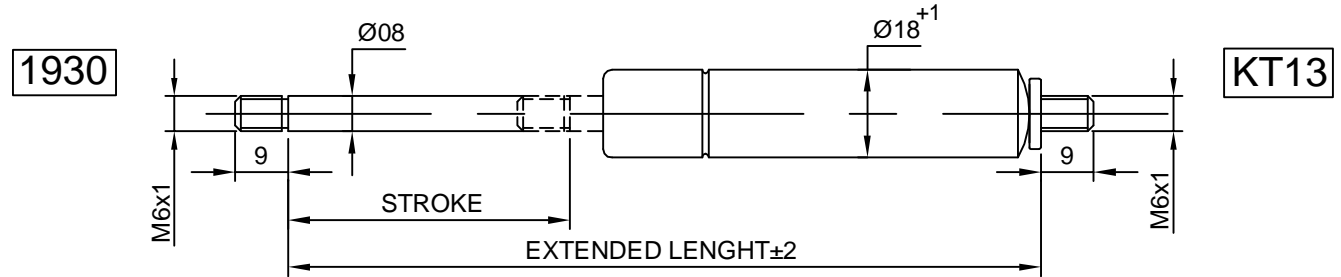
### 08-18 EXTENSION DAMPERS



### 08-18 COMPRESSION DAMPERS



### 08-18 EXTENSION AND COMPRESSION DAMPERS



CUSTOMER'S REQUEST/ MÜŞTERİ İSTEĞİ

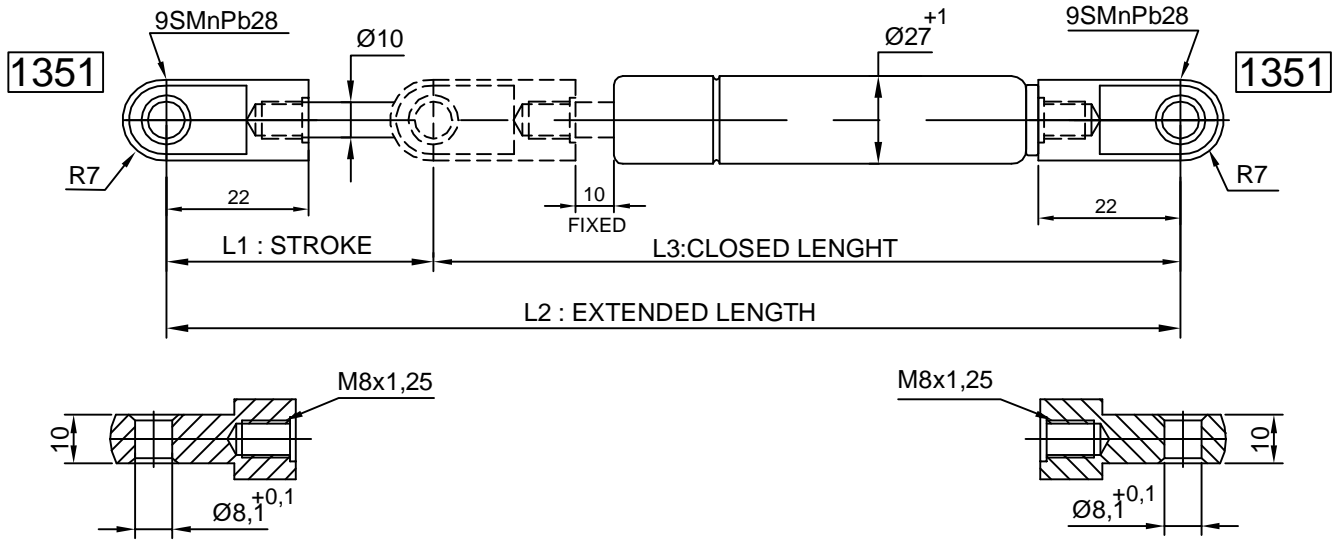
DAMPEN / DAMPER FORCE / KUVVETİ (N) / (N)	← [	EXTENSION DAMPEN RATE / AÇILMA HIZI (mm/sn)
		COMPRESSION DAMPEN RATE / KAPANMA HIZI (mm/sn)
		EXT. AND COMP.DAMPEN RATE / AÇILMA VE KAPANMA HIZI (mm/sn)

## 08-18 SERIES DAMPERS

UNIT OF MEASURE	INCHES	INCHES	INCHES	INCHES	INCHES	INCHES			INCHES	IN/SEC
PART NUMBER	EXTENDED LENTH	STROKE (MIN)	OVER TRAVEL	TOTAL TRAVEL	ROD DIAMETER	TUBE DIAMETER	BODY FINISH	ROD FINISH	DAMPENED HEIGHT	DAMPEN RATE
S0818D00001D / DA-400V-CJ	10.83	4.00	0.3900	4.39	0.315	0.709	Black	Black Nitride	3.61	0.4
S0818D00002D / DA-400V-CD	10.83	4.00	0.3900	4.39	0.315	0.709	Black	Black Nitride	3.61	0.6
S0818D00003D / DA-400V-CE	10.83	4.00	0.3900	4.39	0.315	0.709	Black	Black Nitride	3.61	0.8
S0818D00004D / DA-400V-CF	10.83	4.00	0.3900	4.39	0.315	0.709	Black	Black Nitride	3.61	1.0
S0818D00005D / DA-400V-CS	10.83	4.00	0.3900	4.39	0.315	0.709	Black	Black Nitride	3.61	1.4
S0818D00006D / DA-400V-EJ	10.83	4.00	0.3900	4.39	0.315	0.709	Black	Black Nitride	3.61	0.5
S0818D00007D / DA-400V-ED	10.83	4.00	0.3900	4.39	0.315	0.709	Black	Black Nitride	3.61	0.7
S0818D00008D / DA-400V-EE	10.83	4.00	0.3900	4.39	0.315	0.709	Black	Black Nitride	3.61	1.0
S0818D00009D / DA-400V-EF	10.83	4.00	0.3900	4.39	0.315	0.709	Black	Black Nitride	3.61	1.3
S0818D00010D / DA-400V-ES	10.83	4.00	0.3900	4.39	0.315	0.709	Black	Black Nitride	3.61	1.6
S0818D00011D / DA-500V-CJ	13.07	5.00	0.3900	5.39	0.315	0.709	Black	Black Nitride	4.61	0.4
S0818D00012D / DA-500V-CD	13.07	5.00	0.3900	5.39	0.315	0.709	Black	Black Nitride	4.61	0.6
S0818D00013D / DA-500V-CE	13.07	5.00	0.3900	5.39	0.315	0.709	Black	Black Nitride	4.61	0.8
S0818D00014D / DA-500V-CF	13.07	5.00	0.3900	5.39	0.315	0.709	Black	Black Nitride	4.61	1.0
S0818D00015D / DA-500V-CS	13.07	5.00	0.3900	5.39	0.315	0.709	Black	Black Nitride	4.61	1.4
S0818D00016D / DA-500V-EJ	13.07	5.00	0.3900	5.39	0.315	0.709	Black	Black Nitride	4.61	0.5
S0818D00017D / DA-500V-ED	13.07	5.00	0.3900	5.39	0.315	0.709	Black	Black Nitride	4.61	0.7
S0818D00018D / DA-500V-EE	13.07	5.00	0.3900	5.39	0.315	0.709	Black	Black Nitride	4.61	1.0
S0818D00019D / DA-500V-EF	13.07	5.00	0.3900	5.39	0.315	0.709	Black	Black Nitride	4.61	1.3
S0818D00020D / DA-500V-ES	13.07	5.00	0.3900	5.39	0.315	0.709	Black	Black Nitride	4.61	1.6
S0818D00021D / DA-600V-CJ	15.59	6.00	0.3900	6.39	0.315	0.709	Black	Black Nitride	5.61	0.4
S0818D00022D / DA-600V-CD	15.59	6.00	0.3900	6.39	0.315	0.709	Black	Black Nitride	5.61	0.6
S0818D00023D / DA-600V-CE	15.59	6.00	0.3900	6.39	0.315	0.709	Black	Black Nitride	5.61	0.8
S0818D00024D / DA-600V-CF	15.59	6.00	0.3900	6.39	0.315	0.709	Black	Black Nitride	5.61	1.0
S0818D00025D / DA-600V-CS	15.59	6.00	0.3900	6.39	0.315	0.709	Black	Black Nitride	5.61	1.4
S0818D00026D / DA-600V-EJ	15.59	6.00	0.3900	6.39	0.315	0.709	Black	Black Nitride	5.61	0.5
S0818D00027D / DA-600V-ED	15.59	6.00	0.3900	6.39	0.315	0.709	Black	Black Nitride	5.61	0.7
S0818D00028D / DA-600V-EE	15.59	6.00	0.3900	6.39	0.315	0.709	Black	Black Nitride	5.61	1.0
S0818D00029D / DA-600V-EF	15.59	6.00	0.3900	6.39	0.315	0.709	Black	Black Nitride	5.61	1.3
S0818D00030D / DA-600V-ES	15.59	6.00	0.3900	6.39	0.315	0.709	Black	Black Nitride	5.61	1.6
S0818D00031D / DA-700V-CJ	18.23	7.00	0.3900	7.39	0.315	0.709	Black	Black Nitride	6.61	0.4
S0818D00032D / DA-700V-CD	18.23	7.00	0.3900	7.39	0.315	0.709	Black	Black Nitride	6.61	0.6
S0818D00033D / DA-700V-CE	18.23	7.00	0.3900	7.39	0.315	0.709	Black	Black Nitride	6.61	0.8
S0818D00034D / DA-700V-CF	18.23	7.00	0.3900	7.39	0.315	0.709	Black	Black Nitride	6.61	1.0
S0818D00035D / DA-700V-CS	18.23	7.00	0.3900	7.39	0.315	0.709	Black	Black Nitride	6.61	1.4
S0818D00036D / DA-700V-EJ	18.23	7.00	0.3900	7.39	0.315	0.709	Black	Black Nitride	6.61	0.5
S0818D00037D / DA-700V-ED	18.23	7.00	0.3900	7.39	0.315	0.709	Black	Black Nitride	6.61	0.7
S0818D00038D / DA-700V-EE	18.23	7.00	0.3900	7.39	0.315	0.709	Black	Black Nitride	6.61	1.0
S0818D00039D / DA-700V-EF	18.23	7.00	0.3900	7.39	0.315	0.709	Black	Black Nitride	6.61	1.3
S0818D00040D / DA-700V-ES	18.23	7.00	0.3900	7.39	0.315	0.709	Black	Black Nitride	6.61	1.6

Dimensions in mm / We reserve the right to make modifications. Ölçülerde değişiklik yapma hakkımız saklıdır.

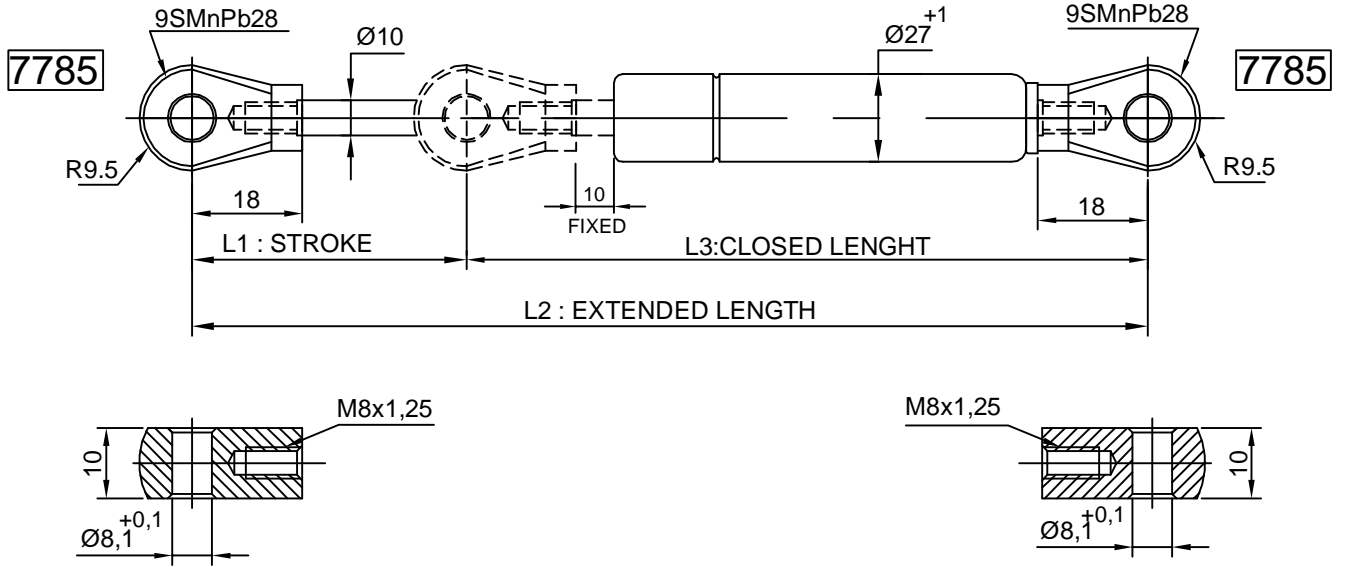
## 10-27 TRACTION LIFT



Ref.No.	F1 ( N )	L1 Stroke Strok	L2 Extended Lenght Açık Boy	L3 Closed Lenght Kapalı Boy
S1027Ç0001M	150	50	265	215
S1027Ç0002M	250			
S1027Ç0003M	350			
S1027Ç0004M	450			
S1027Ç0005M	550			
S1027Ç0006M	650			
S1027Ç0007M	750			
S1027Ç0008M	150	100	365	265
S1027Ç0009M	250			
S1027Ç0010M	350			
S1027Ç0011M	550			
S1027Ç0012M	750			
S1027Ç0013M	950			
S1027Ç0014M	1100			
S1027Ç0015M	1200			
S1027Ç0016M	150	150	465	315
S1027Ç0017M	350			
S1027Ç0018M	550			
S1027Ç0019M	750			
S1027Ç0020M	950			
S1027Ç0021M	1100			
S1027Ç0022M	1300			
S1027Ç0023M	1500			
S1027Ç0024M	150	200	565	365
S1027Ç0025M	350			
S1027Ç0026M	550			
S1027Ç0027M	750			
S1027Ç0028M	950			
S1027Ç0029M	1100			
S1027Ç0030M	1300			
S1027Ç0031M	1500			

Ref.No.	F1 ( N )	L1 Stroke Strok	L2 Extended Lenght Açık Boy	L3 Closed Lenght Kapalı Boy
S1027Ç0032M	150	250	665	415
S1027Ç0033M	350			
S1027Ç0034M	550			
S1027Ç0035M	750			
S1027Ç0036M	950			
S1027Ç0037M	1100			
S1027Ç0038M	1300			
S1027Ç0039M	1500			
S1027Ç0040M	150	300	765	465
S1027Ç0041M	350			
S1027Ç0042M	550			
S1027Ç0043M	750			
S1027Ç0044M	950			
S1027Ç0045M	1100			
S1027Ç0046M	1300			
S1027Ç0047M	1500			
S1027Ç0048M	150	400	965	565
S1027Ç0049M	350			
S1027Ç0050M	550			
S1027Ç0051M	750			
S1027Ç0052M	950			
S1027Ç0053M	1100			
S1027Ç0054M	1300			
S1027Ç0055M	1500			
S1027Ç0056M	150	500	1165	665
S1027Ç0057M	350			
S1027Ç0058M	550			
S1027Ç0059M	750			
S1027Ç0060M	950			
S1027Ç0061M	1100			
S1027Ç0062M	1300			
S1027Ç0063M	1500			

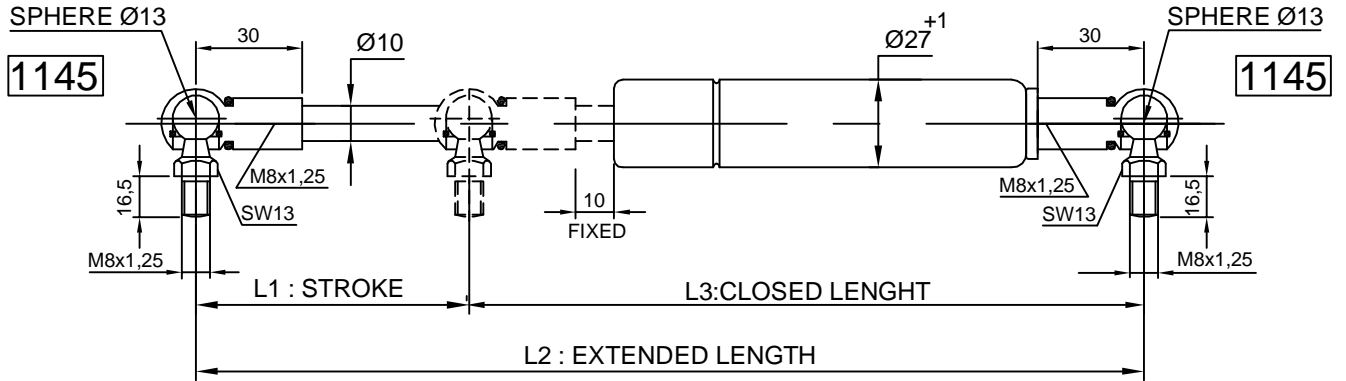
## 10-27 TRACTION LIFT



Ref.No.	F1 ( N )	L1 Stroke Strok	L2 Extended Length Açık Boy	L3 Closed Length Kapalı Boy
S1027Ç0101M	150	50	265	215
S1027Ç0102M	250			
S1027Ç0103M	350			
S1027Ç0104M	450			
S1027Ç0105M	550			
S1027Ç0106M	650			
S1027Ç0107M	750			
S1027Ç0108M	150	100	365	265
S1027Ç0109M	250			
S1027Ç0110M	350			
S1027Ç0111M	550			
S1027Ç0112M	750			
S1027Ç0113M	950			
S1027Ç0114M	1100			
S1027Ç0115M	1200	150	465	315
S1027Ç0116M	150			
S1027Ç0117M	350			
S1027Ç0118M	550			
S1027Ç0119M	750			
S1027Ç0120M	950			
S1027Ç0121M	1100			
S1027Ç0122M	1300	200	565	365
S1027Ç0123M	1500			
S1027Ç0124M	150			
S1027Ç0125M	350			
S1027Ç0126M	550			
S1027Ç0127M	750			
S1027Ç0128M	950			
S1027Ç0129M	1100			
S1027Ç0130M	1300			
S1027Ç0131M	1500			

Ref.No.	F1 ( N )	L1 Stroke Strok	L2 Extended Length Açık Boy	L3 Closed Length Kapalı Boy
S1027Ç0132M	150	250	665	415
S1027Ç0133M	350			
S1027Ç0134M	550			
S1027Ç0135M	750			
S1027Ç0136M	950			
S1027Ç0137M	1100			
S1027Ç0138M	1300			
S1027Ç0139M	1500	300	765	465
S1027Ç0140M	150			
S1027Ç0141M	350			
S1027Ç0142M	550			
S1027Ç0143M	750			
S1027Ç0144M	950			
S1027Ç0145M	1100			
S1027Ç0146M	1300	400	965	565
S1027Ç0147M	1500			
S1027Ç0148M	150			
S1027Ç0149M	350			
S1027Ç0150M	550			
S1027Ç0151M	750			
S1027Ç0152M	950			
S1027Ç0153M	1100	500	1165	665
S1027Ç0154M	1300			
S1027Ç0155M	1500			
S1027Ç0156M	150			
S1027Ç0157M	350			
S1027Ç0158M	550			
S1027Ç0159M	750			
S1027Ç0160M	950			
S1027Ç0161M	1100			
S1027Ç0162M	1300			
S1027Ç0163M	1500			

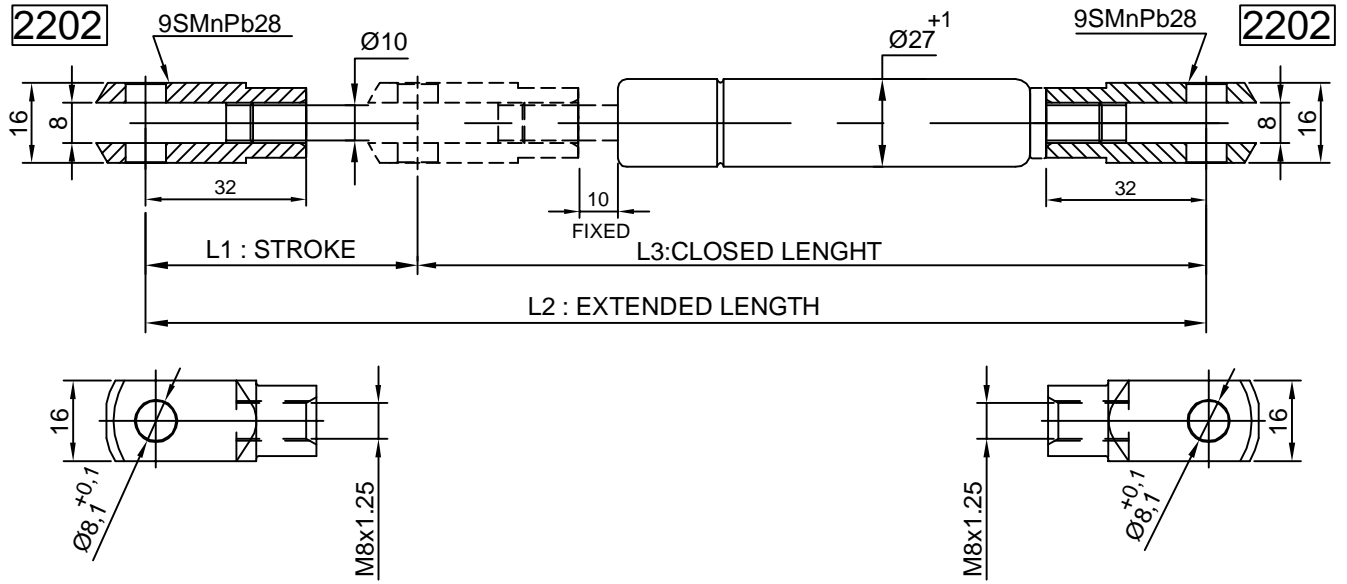
## 10-27 TRACTION LIFT



Ref.No.	F1 ( N )	L1 Stroke Strok	L2 Extended Lenght Açık Boy	L3 Closed Lenght Kapalı Boy
S1027Ç0201M	150	50	265	215
S1027Ç0202M	250			
S1027Ç0203M	350			
S1027Ç0204M	450			
S1027Ç0205M	550			
S1027Ç0206M	650			
S1027Ç0207M	750			
S1027Ç0208M	150	100	365	265
S1027Ç0209M	250			
S1027Ç0210M	350			
S1027Ç0211M	550			
S1027Ç0212M	750			
S1027Ç0213M	950			
S1027Ç0214M	1100			
S1027Ç0215M	1200	150	465	315
S1027Ç0216M	150			
S1027Ç0217M	350			
S1027Ç0218M	550			
S1027Ç0219M	750			
S1027Ç0220M	950			
S1027Ç0221M	1100			
S1027Ç0222M	1300	200	565	365
S1027Ç0223M	1500			
S1027Ç0224M	150			
S1027Ç0225M	350			
S1027Ç0226M	550			
S1027Ç0227M	750			
S1027Ç0228M	950			
S1027Ç0229M	1100			
S1027Ç0230M	1300			
S1027Ç0231M	1500			

Ref.No.	F1 ( N )	L1 Stroke Strok	L2 Extended Lenght Açık Boy	L3 Closed Lenght Kapalı Boy
S1027Ç0232M	150	250	665	415
S1027Ç0233M	350			
S1027Ç0234M	550			
S1027Ç0235M	750			
S1027Ç0236M	950			
S1027Ç0237M	1100			
S1027Ç0238M	1300			
S1027Ç0239M	1500	300	765	465
S1027Ç0240M	150			
S1027Ç0241M	350			
S1027Ç0242M	550			
S1027Ç0243M	750			
S1027Ç0244M	950			
S1027Ç0245M	1100			
S1027Ç0246M	1300	400	965	565
S1027Ç0247M	1500			
S1027Ç0248M	150			
S1027Ç0249M	350			
S1027Ç0250M	550			
S1027Ç0251M	750			
S1027Ç0252M	950			
S1027Ç0253M	1100	500	1165	665
S1027Ç0254M	1300			
S1027Ç0255M	1500			
S1027Ç0256M	150			
S1027Ç0257M	350			
S1027Ç0258M	550			
S1027Ç0259M	750			
S1027Ç0260M	950			
S1027Ç0261M	1100			
S1027Ç0262M	1300			
S1027Ç0263M	1500			

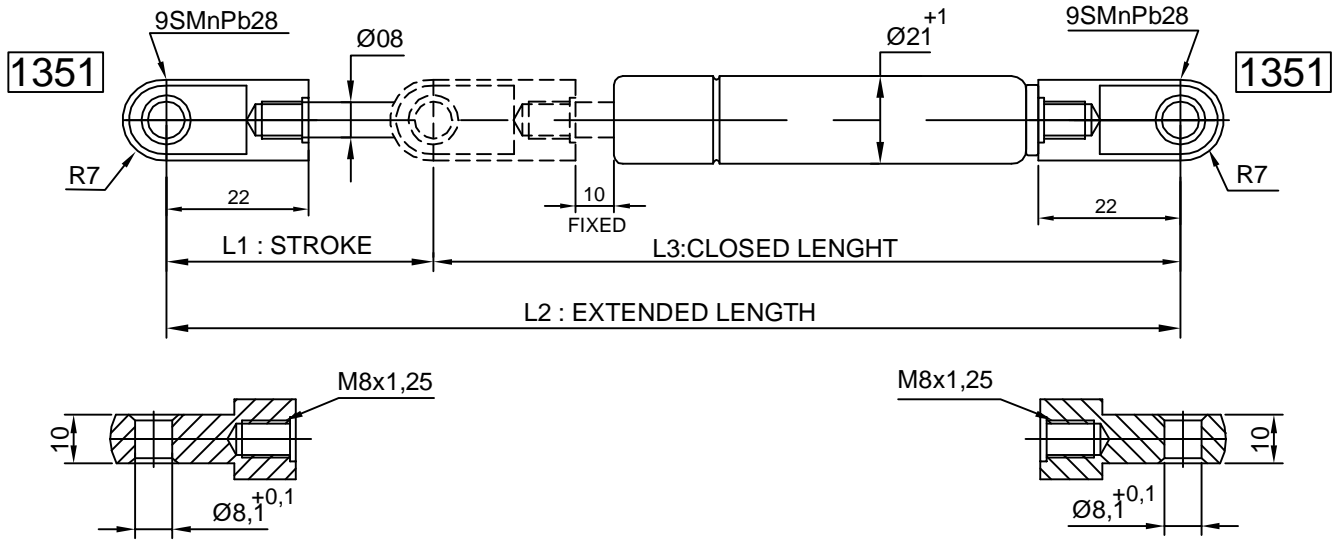
## 10-27 TRACTION LIFT



Ref.No.	F1 ( N )	L1 Stroke Strok	L2 Extended Lenght Açık Boy	L3 Closed Lenght Kapalı Boy
S1027Ç0301M	150	50	265	215
S1027Ç0302M	250			
S1027Ç0303M	350			
S1027Ç0304M	450			
S1027Ç0305M	550			
S1027Ç0306M	650			
S1027Ç0307M	750			
S1027Ç0308M	150	100	365	265
S1027Ç0309M	250			
S1027Ç0310M	350			
S1027Ç0311M	550			
S1027Ç0312M	750			
S1027Ç0313M	950			
S1027Ç0314M	1100			
S1027Ç0315M	1200	150	465	315
S1027Ç0316M	150			
S1027Ç0317M	350			
S1027Ç0318M	550			
S1027Ç0319M	750			
S1027Ç0320M	950			
S1027Ç0321M	1100			
S1027Ç0322M	1300	200	565	365
S1027Ç0323M	1500			
S1027Ç0324M	150			
S1027Ç0325M	350			
S1027Ç0326M	550			
S1027Ç0327M	750			
S1027Ç0328M	950			
S1027Ç0329M	1100	1300		
S1027Ç0330M	1300			
S1027Ç0331M	1500			

Ref.No.	F1 ( N )	L1 Stroke Strok	L2 Extended Lenght Açık Boy	L3 Closed Lenght Kapalı Boy
S1027Ç0332M	150	250	665	415
S1027Ç0333M	350			
S1027Ç0334M	550			
S1027Ç0335M	750			
S1027Ç0336M	950			
S1027Ç0337M	1100			
S1027Ç0338M	1300			
S1027Ç0339M	1500	300	765	465
S1027Ç0340M	150			
S1027Ç0341M	350			
S1027Ç0342M	550			
S1027Ç0343M	750			
S1027Ç0344M	950			
S1027Ç0345M	1100			
S1027Ç0346M	1300	400	965	565
S1027Ç0347M	1500			
S1027Ç0348M	150			
S1027Ç0349M	350			
S1027Ç0350M	550			
S1027Ç0351M	750			
S1027Ç0352M	950			
S1027Ç0353M	1100	500	1165	665
S1027Ç0354M	1300			
S1027Ç0355M	1500			
S1027Ç0356M	150			
S1027Ç0357M	350			
S1027Ç0358M	550			
S1027Ç0359M	750			
S1027Ç0360M	950	1300		
S1027Ç0361M	1100			
S1027Ç0362M	1300			
S1027Ç0363M	1500			

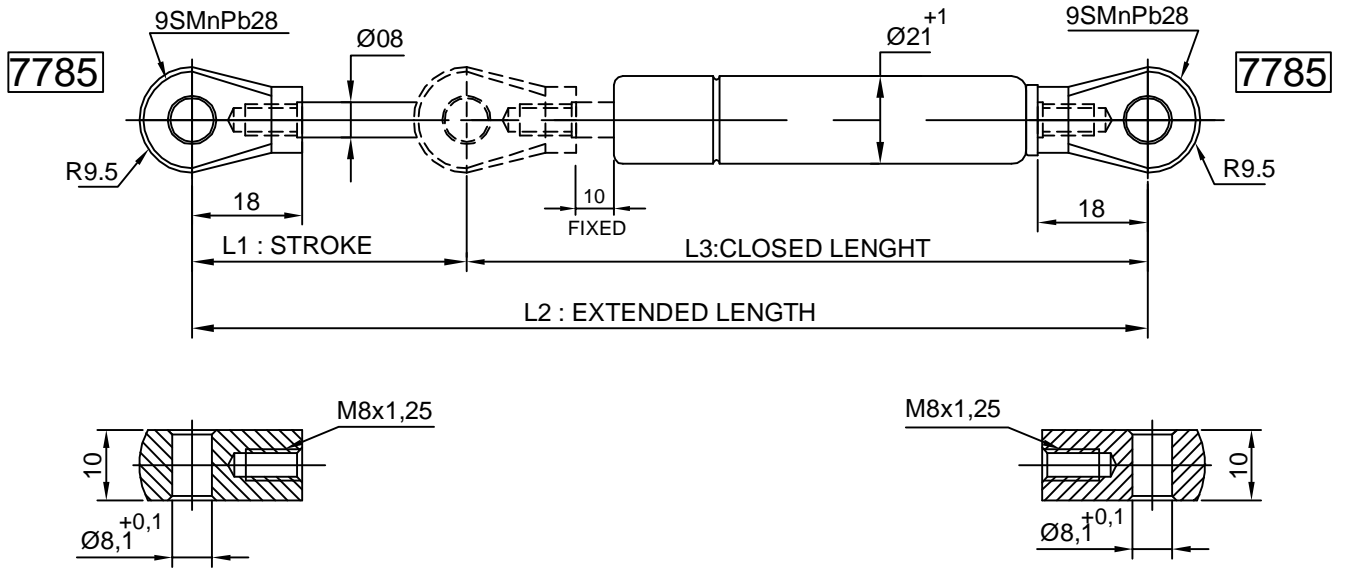
## 08-21 TRACTION LIFT



Ref.No.	F1 ( N )	L1 Stroke Strok	L2 Extended Lenght Açık Boy	L3 Closed Lenght Kapalı Boy
S0821Ç0001M	100	50	265	215
S0821Ç0002M	150			
S0821Ç0003M	200			
S0821Ç0004M	250			
S0821Ç0005M	300			
S0821Ç0006M	350			
S0821Ç0007M	400			
S0821Ç0008M	100	100	365	265
S0821Ç0009M	150			
S0821Ç0010M	200			
S0821Ç0011M	250			
S0821Ç0012M	300			
S0821Ç0013M	350			
S0821Ç0014M	400			
S0821Ç0015M	500	150	465	315
S0821Ç0016M	100			
S0821Ç0017M	150			
S0821Ç0018M	200			
S0821Ç0019M	250			
S0821Ç0020M	300			
S0821Ç0021M	350			
S0821Ç0022M	400	300	765	465
S0821Ç0023M	500			
S0821Ç0024M	600			
S0821Ç0025M	700			

Ref.No.	F1 ( N )	L1 Stroke Strok	L2 Extended Lenght Açık Boy	L3 Closed Lenght Kapalı Boy
S0821Ç0026M	100	200	565	365
S0821Ç0027M	150			
S0821Ç0028M	200			
S0821Ç0029M	250			
S0821Ç0030M	300			
S0821Ç0031M	350			
S0821Ç0032M	400			
S0821Ç0033M	500	250	665	415
S0821Ç0034M	600			
S0821Ç0035M	700			
S0821Ç0036M	100			
S0821Ç0037M	150			
S0821Ç0038M	200			
S0821Ç0039M	250			
S0821Ç0040M	300	300	765	465
S0821Ç0041M	350			
S0821Ç0042M	400			
S0821Ç0043M	500			
S0821Ç0044M	600			
S0821Ç0045M	700			
S0821Ç0046M	100			
S0821Ç0047M	150	300	765	465
S0821Ç0048M	200			
S0821Ç0049M	250			
S0821Ç0050M	300			
S0821Ç0051M	350			
S0821Ç0052M	400			
S0821Ç0053M	500			
S0821Ç0054M	600			
S0821Ç0055M	700			

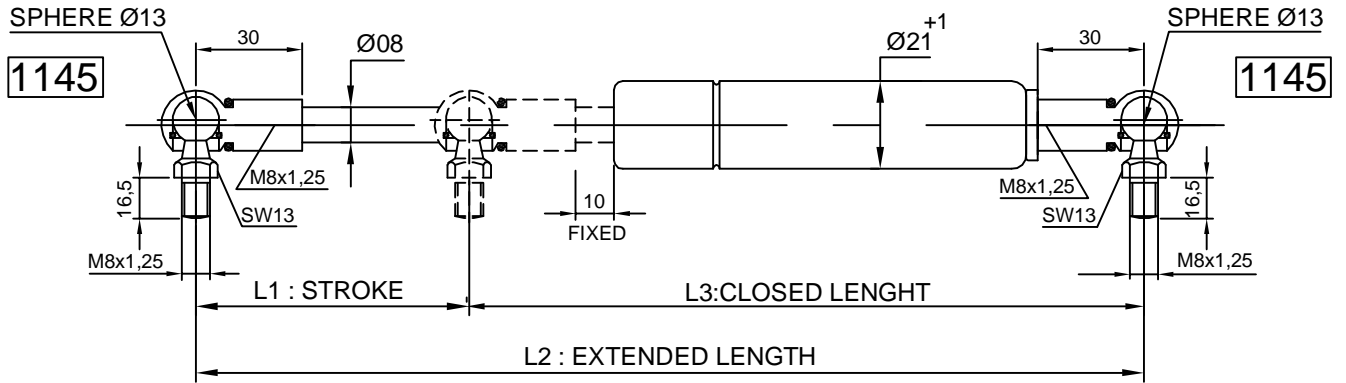
## 08-21 TRACTION LIFT



Ref.No.	F1 ( N )	L1 Stroke Strok	L2 Extended Lenght Açık Boy	L3 Closed Lenght Kapalı Boy
S0821Ç0101M	100	50	265	215
S0821Ç0102M	150			
S0821Ç0103M	200			
S0821Ç0104M	250			
S0821Ç0105M	300			
S0821Ç0106M	350			
S0821Ç0107M	400			
S0821Ç0108M	100	100	365	265
S0821Ç0109M	150			
S0821Ç0110M	200			
S0821Ç0111M	250			
S0821Ç0112M	300			
S0821Ç0113M	350			
S0821Ç0114M	400			
S0821Ç0115M	500	150	465	315
S0821Ç0116M	100			
S0821Ç0117M	150			
S0821Ç0118M	200			
S0821Ç0119M	250			
S0821Ç0120M	300			
S0821Ç0121M	350			
S0821Ç0122M	400			
S0821Ç0123M	500			
S0821Ç0124M	600			
S0821Ç0125M	700			

Ref.No.	F1 ( N )	L1 Stroke Strok	L2 Extended Lenght Açık Boy	L3 Closed Lenght Kapalı Boy
S0821Ç0126M	100	200	565	365
S0821Ç0127M	150			
S0821Ç0128M	200			
S0821Ç0129M	250			
S0821Ç0130M	300			
S0821Ç0131M	350			
S0821Ç0132M	400			
S0821Ç0133M	500	250	665	415
S0821Ç0134M	600			
S0821Ç0135M	700			
S0821Ç0136M	100			
S0821Ç0137M	150			
S0821Ç0138M	200			
S0821Ç0139M	250			
S0821Ç0140M	300	300	765	465
S0821Ç0141M	350			
S0821Ç0142M	400			
S0821Ç0143M	500			
S0821Ç0144M	600			
S0821Ç0145M	700			
S0821Ç0146M	100			
S0821Ç0147M	150			
S0821Ç0148M	200			
S0821Ç0149M	250			
S0821Ç0150M	300			
S0821Ç0151M	350			
S0821Ç0152M	400			
S0821Ç0153M	500			
S0821Ç0154M	600			
S0821Ç0155M	700			

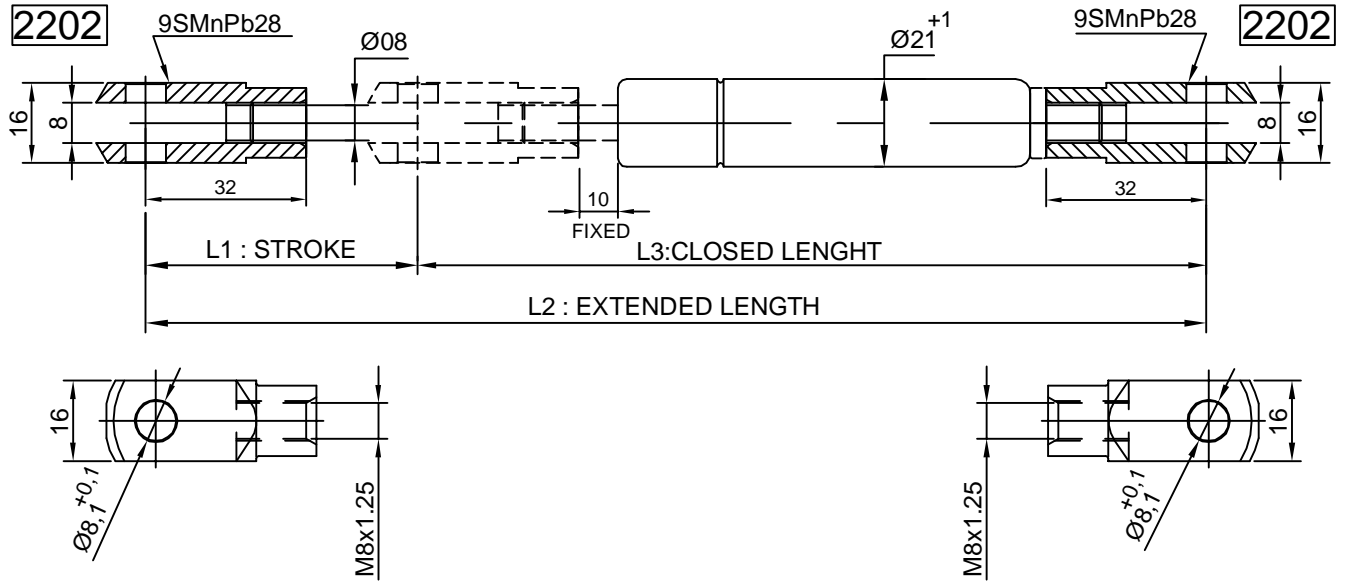
## 08-21 TRACTION LIFT



Ref.No.	F1 ( N )	L1 Stroke Strok	L2 Extended Lenght Açık Boy	L3 Closed Lenght Kapalı Boy
S0821Ç0201M	100	50	265	215
S0821Ç0202M	150			
S0821Ç0203M	200			
S0821Ç0204M	250			
S0821Ç0205M	300			
S0821Ç0206M	350			
S0821Ç0207M	400			
S0821Ç0208M	100	100	365	265
S0821Ç0209M	150			
S0821Ç0210M	200			
S0821Ç0211M	250			
S0821Ç0212M	300			
S0821Ç0213M	350			
S0821Ç0214M	400			
S0821Ç0215M	500	150	465	315
S0821Ç0216M	100			
S0821Ç0217M	150			
S0821Ç0218M	200			
S0821Ç0219M	250			
S0821Ç0220M	300			
S0821Ç0221M	350			
S0821Ç0222M	400	300	765	465
S0821Ç0223M	500			
S0821Ç0224M	600			
S0821Ç0225M	700			

Ref.No.	F1 ( N )	L1 Stroke Strok	L2 Extended Lenght Açık Boy	L3 Closed Lenght Kapalı Boy
S0821Ç0226M	100	200	565	365
S0821Ç0227M	150			
S0821Ç0228M	200			
S0821Ç0229M	250			
S0821Ç0230M	300			
S0821Ç0231M	350			
S0821Ç0232M	400			
S0821Ç0233M	500	250	665	415
S0821Ç0234M	600			
S0821Ç0235M	700			
S0821Ç0236M	100			
S0821Ç0237M	150			
S0821Ç0238M	200			
S0821Ç0239M	250			
S0821Ç0240M	300	300	765	465
S0821Ç0241M	350			
S0821Ç0242M	400			
S0821Ç0243M	500			
S0821Ç0244M	600			
S0821Ç0245M	700			
S0821Ç0246M	100			
S0821Ç0247M	150			
S0821Ç0248M	200			
S0821Ç0249M	250			
S0821Ç0250M	300			
S0821Ç0251M	350			
S0821Ç0252M	400			
S0821Ç0253M	500			
S0821Ç0254M	600			
S0821Ç0255M	700			

## 08-21 TRACTION LIFT



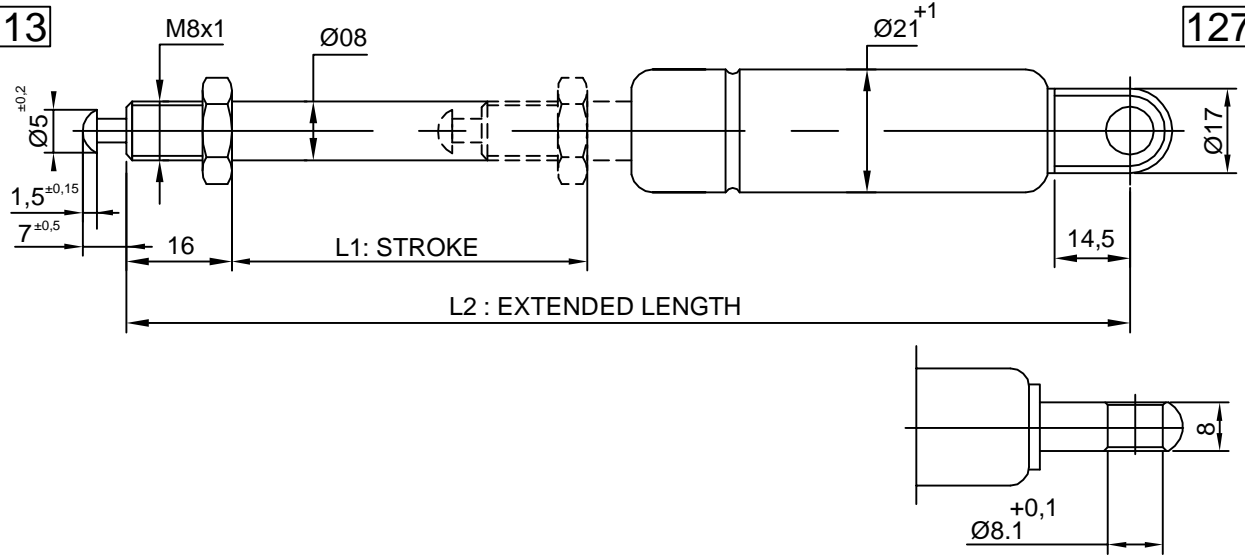
Ref.No.	F1 ( N )	L1 Stroke Strok	L2 Extended Lenght Açık Boy	L3 Closed Lenght Kapalı Boy
S0821Ç0301M	100	50	265	215
S0821Ç0302M	150			
S0821Ç0303M	200			
S0821Ç0304M	250			
S0821Ç0305M	300			
S0821Ç0306M	350			
S0821Ç0307M	400			
S0821Ç0308M	100	100	365	265
S0821Ç0309M	150			
S0821Ç0310M	200			
S0821Ç0311M	250			
S0821Ç0312M	300			
S0821Ç0313M	350			
S0821Ç0314M	400			
S0821Ç0315M	500	150	465	315
S0821Ç0316M	100			
S0821Ç0317M	150			
S0821Ç0318M	200			
S0821Ç0319M	250			
S0821Ç0320M	300			
S0821Ç0321M	350			
S0821Ç0322M	400			
S0821Ç0323M	500			
S0821Ç0324M	600			
S0821Ç0325M	700			

Ref.No.	F1 ( N )	L1 Stroke Strok	L2 Extended Lenght Açık Boy	L3 Closed Lenght Kapalı Boy
S0821Ç0326M	100	200	565	365
S0821Ç0327M	150			
S0821Ç0328M	200			
S0821Ç0329M	250			
S0821Ç0330M	300			
S0821Ç0331M	350			
S0821Ç0332M	400			
S0821Ç0333M	500	250	665	415
S0821Ç0334M	600			
S0821Ç0335M	700			
S0821Ç0336M	100			
S0821Ç0337M	150			
S0821Ç0338M	200			
S0821Ç0339M	250			
S0821Ç0340M	300	300	765	465
S0821Ç0341M	350			
S0821Ç0342M	400			
S0821Ç0343M	500			
S0821Ç0344M	600			
S0821Ç0345M	700			
S0821Ç0346M	100			
S0821Ç0347M	150			
S0821Ç0348M	200			
S0821Ç0349M	250			
S0821Ç0350M	300			
S0821Ç0351M	350			
S0821Ç0352M	400			
S0821Ç0353M	500			
S0821Ç0354M	600			
S0821Ç0355M	700			

## 08-21 ELASTIC BLOCK LIFT (SPRINGING ON 5mm EXTENSION)

6113

1272



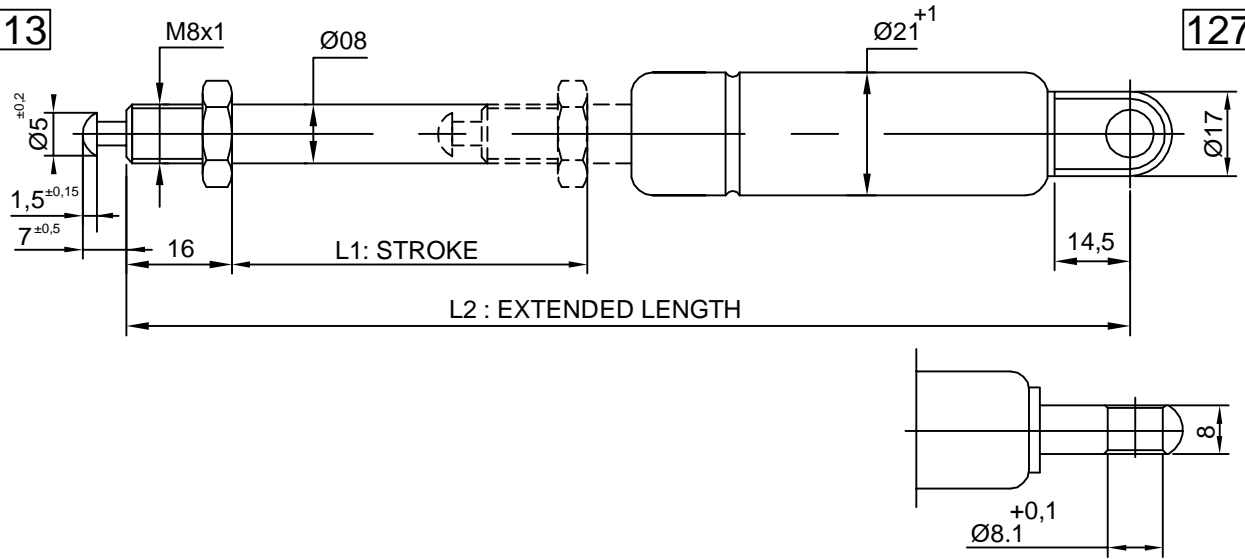
Ref.No.	F1 ( N )	L1 Stroke Strok	L2 Extended Lenght Açık Boy	L3 Closed Lenght Kapalı Boy
S0821B0001E	200	20	150	130
S0821B0002E	250			
S0821B0003E	300			
S0821B0004E	350			
S0821B0005E	400			
S0821B0006E	450			
S0821B0007E	500			
S0821B0008E	600			
S0821B0009E	700			
S0821B0010E	200			
S0821B0011E	250			
S0821B0012E	300			
S0821B0013E	350			
S0821B0014E	400			
S0821B0015E	450			
S0821B0016E	500			
S0821B0017E	600			
S0821B0018E	700			
S0821B0019E	200	30	175	145
S0821B0020E	250			
S0821B0021E	300			
S0821B0022E	350			
S0821B0023E	400			
S0821B0024E	450			
S0821B0025E	500			
S0821B0026E	600			
S0821B0027E	700			
S0821B0028E	200			
S0821B0029E	250			
S0821B0030E	300			
S0821B0031E	350			
S0821B0032E	400			
S0821B0033E	450			
S0821B0034E	500			
S0821B0035E	600			
S0821B0036E	700			

Ref.No.	F1 ( N )	L1 Stroke Strok	L2 Extended Lenght Açık Boy	L3 Closed Lenght Kapalı Boy
S0821B0037E	200	60	230	170
S0821B0038E	250			
S0821B0039E	300			
S0821B0040E	350			
S0821B0041E	400			
S0821B0042E	450			
S0821B0043E	500			
S0821B0044E	600			
S0821B0045E	700			
S0821B0046E	200			
S0821B0047E	250			
S0821B0048E	300			
S0821B0049E	350			
S0821B0050E	400			
S0821B0051E	450			
S0821B0052E	500			
S0821B0053E	600			
S0821B0054E	700			
S0821B0055E	200	100	310	210
S0821B0056E	250			
S0821B0057E	300			
S0821B0058E	350			
S0821B0059E	400			
S0821B0060E	450			
S0821B0061E	500			
S0821B0062E	600			
S0821B0063E	700			

## 08-21 RIGID BLOCK LIFT (RIGID ON 5mm EXTENSION)

6113

1272



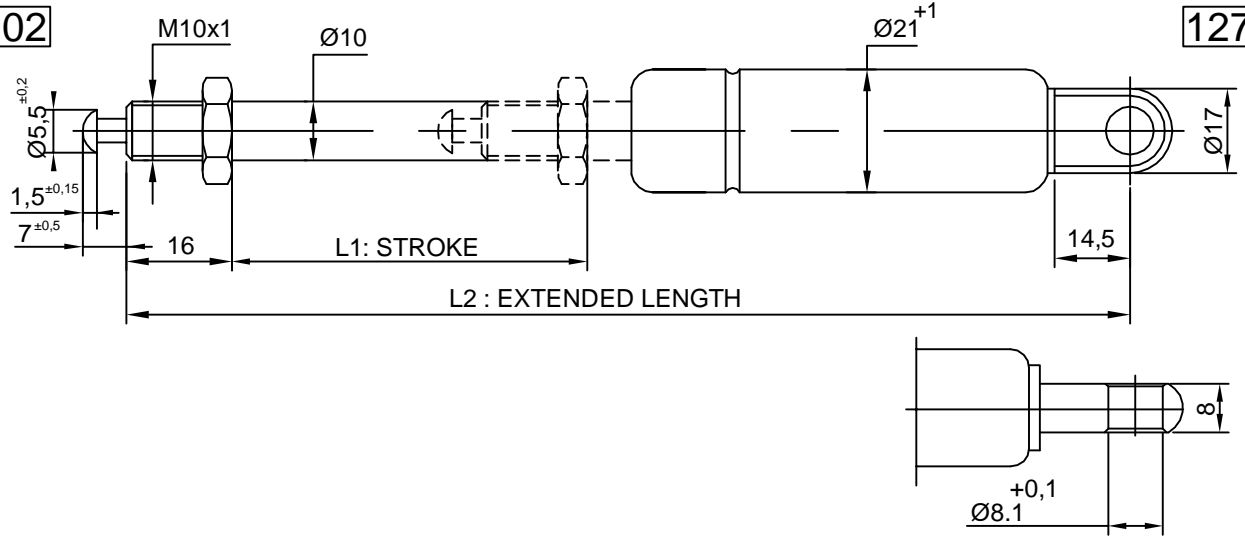
Ref.No.	F1 ( N )	L1 Stroke Strok	L2 Extended Lenght Açık Boy	L3 Closed Lenght Kapalı Boy
S0821B0001R	200	20	160	140
S0821B0002R	250			
S0821B0003R	300			
S0821B0004R	350			
S0821B0005R	400			
S0821B0006R	450			
S0821B0007R	500			
S0821B0008R	600			
S0821B0009R	700			
S0821B0010R	200			
S0821B0011R	250			
S0821B0012R	300			
S0821B0013R	350			
S0821B0014R	400			
S0821B0015R	450			
S0821B0016R	500			
S0821B0017R	600			
S0821B0018R	700			
S0821B0019R	200	30	185	155
S0821B0020R	250			
S0821B0021R	300			
S0821B0022R	350			
S0821B0023R	400			
S0821B0024R	450			
S0821B0025R	500			
S0821B0026R	600			
S0821B0027R	700			
S0821B0028R	200			
S0821B0029R	250			
S0821B0030R	300			
S0821B0031R	350			
S0821B0032R	400			
S0821B0033R	450			
S0821B0034R	500			
S0821B0035R	600			
S0821B0036R	700			

Ref.No.	F1 ( N )	L1 Stroke Strok	L2 Extended Lenght Açık Boy	L3 Closed Lenght Kapalı Boy
S0821B0037R	200	60	255	195
S0821B0038R	250			
S0821B0039R	300			
S0821B0040R	350			
S0821B0041R	400			
S0821B0042R	450			
S0821B0043R	500			
S0821B0044R	600			
S0821B0045R	700			
S0821B0046R	200			
S0821B0047R	250			
S0821B0048R	300			
S0821B0049R	350			
S0821B0050R	400			
S0821B0051R	450			
S0821B0052R	500			
S0821B0053R	600			
S0821B0054R	700			
S0821B0055R	200	100	355	255
S0821B0056R	250			
S0821B0057R	300			
S0821B0058R	350			
S0821B0059R	400			
S0821B0060R	450			
S0821B0061R	500			
S0821B0062R	600			
S0821B0063R	700			

## 10-21 ELASTIC BLOCK LIFT (SPRINGING ON 5mm EXTENSION)

6102

1272



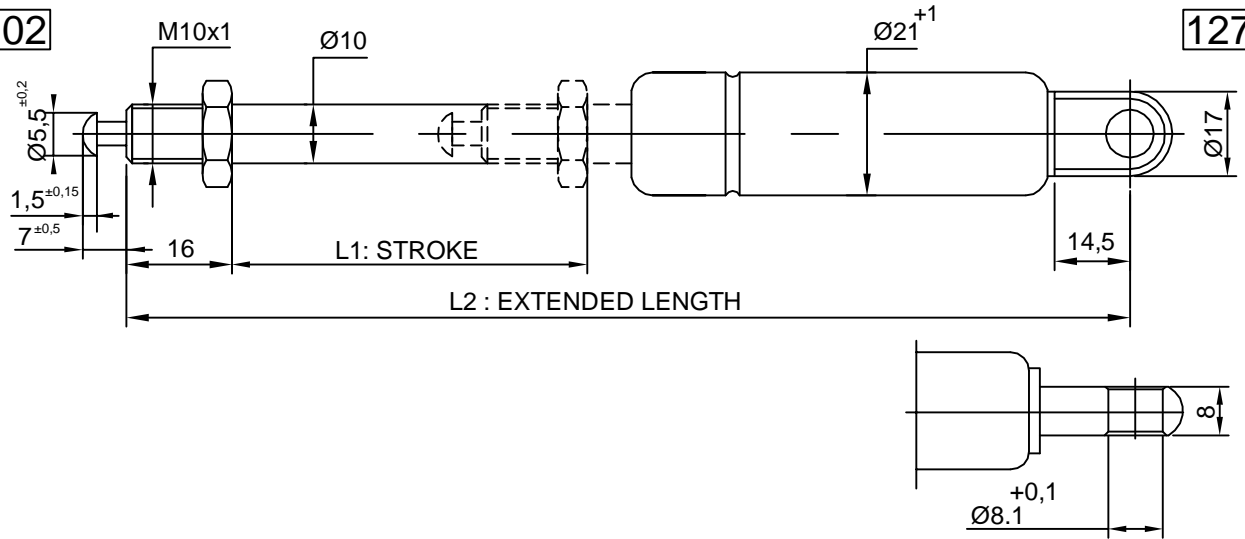
Ref.No.	F1 ( N )	L1 Stroke Strok	L2 Extended Lenght Açık Boy	L3 Closed Lenght Kapalı Boy
S1021B0001E	300	20	155	135
S1021B0002E	350			
S1021B0003E	400			
S1021B0004E	500			
S1021B0005E	600			
S1021B0006E	800			
S1021B0007E	1000			
S1021B0008E	1200			
S1021B0009E	250			
S1021B0010E	300			
S1021B0011E	350			
S1021B0012E	400			
S1021B0013E	500			
S1021B0014E	600			
S1021B0015E	800			
S1021B0016E	1000			
S1021B0017E	1200	30	175	145
S1021B0018E	250			
S1021B0019E	300			
S1021B0020E	350			
S1021B0021E	400			
S1021B0022E	500			
S1021B0023E	600			
S1021B0024E	800			
S1021B0025E	1000			
S1021B0026E	1200			
S1021B0027E	200			
S1021B0028E	250			
S1021B0029E	300			
S1021B0030E	350			
S1021B0031E	400			
S1021B0032E	500			
S1021B0033E	600			
S1021B0034E	800			
S1021B0035E	1000			
S1021B0036E	1200			

Ref.No.	F1 ( N )	L1 Stroke Strok	L2 Extended Lenght Açık Boy	L3 Closed Lenght Kapalı Boy
S1021B0037E	200	60	235	175
S1021B0038E	250			
S1021B0039E	300			
S1021B0040E	350			
S1021B0041E	400			
S1021B0042E	500			
S1021B0043E	600			
S1021B0044E	800			
S1021B0045E	1000			
S1021B0046E	1200			
S1021B0047E	200			
S1021B0048E	250			
S1021B0049E	300			
S1021B0050E	350			
S1021B0051E	400			
S1021B0052E	500			
S1021B0053E	600	100	315	215
S1021B0054E	800			
S1021B0055E	1000			
S1021B0056E	1200			
S1021B0057E	200			
S1021B0058E	250			
S1021B0059E	300			
S1021B0060E	350			
S1021B0061E	400			
S1021B0062E	500			
S1021B0063E	600			
S1021B0064E	800			
S1021B0065E	1000			
S1021B0066E	1200			

## 10-21 ELASTIC BLOCK LIFT (SPRINGING ON 5mm EXTENSION)

6102

1272



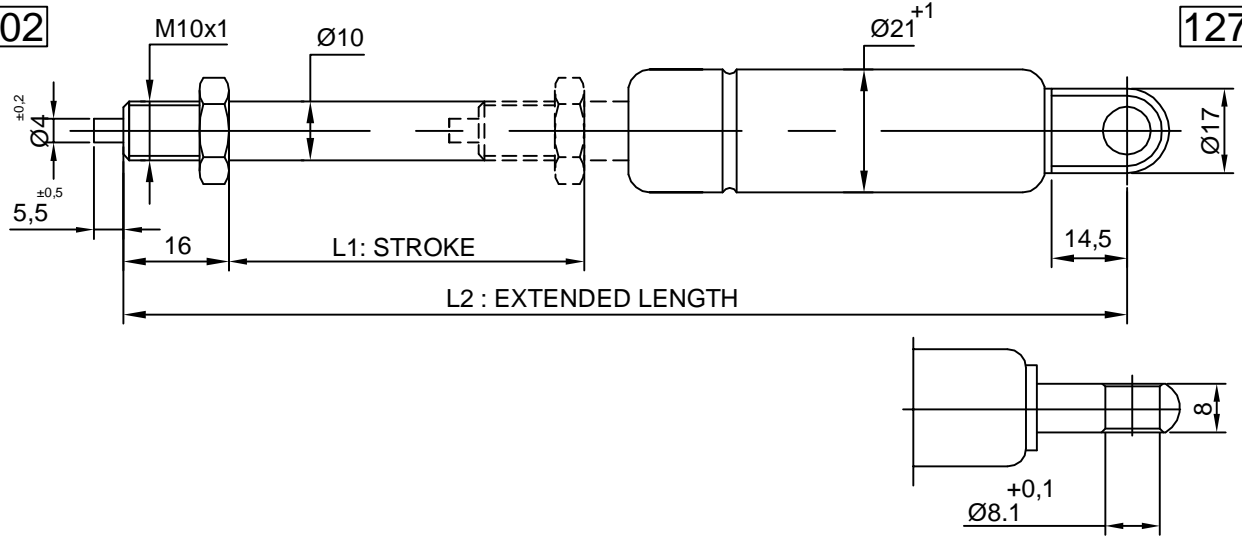
Ref.No.	F1 ( N )	L1 Stroke Strok	L2 Extended Lenght Açık Boy	L3 Closed Lenght Kapalı Boy
S1021B0067E	200	120	390	270
S1021B0068E	250			
S1021B0069E	300			
S1021B0070E	350			
S1021B0071E	400			
S1021B0072E	500			
S1021B0073E	600			
S1021B0074E	800			
S1021B0075E	1000			
S1021B0076E	1200			
S1021B0077E	200			
S1021B0078E	250			
S1021B0079E	300			
S1021B0080E	350			
S1021B0081E	400			
S1021B0082E	500			
S1021B0083E	600			
S1021B0084E	800			
S1021B0085E	1000			
S1021B0086E	1200			

Ref.No.	F1 ( N )	L1 Stroke Strok	L2 Extended Lenght Açık Boy	L3 Closed Lenght Kapalı Boy
S1021B0087E	200	200	515	315
S1021B0088E	250			
S1021B0089E	300			
S1021B0090E	350			
S1021B0091E	400			
S1021B0092E	500			
S1021B0093E	600			
S1021B0094E	800			
S1021B0095E	1000			
S1021B0096E	1200			
S1021B0097E	200			
S1021B0098E	250			
S1021B0099E	300			
S1021B0100E	350			
S1021B0101E	400			
S1021B0102E	500			
S1021B0103E	600			
S1021B0104E	800			
S1021B0105E	1000			
S1021B0106E	1200			

## 10-21 ELASTIC BLOCK LIFT (SPRINGING ON 5mm EXTENSION)

6202

1272



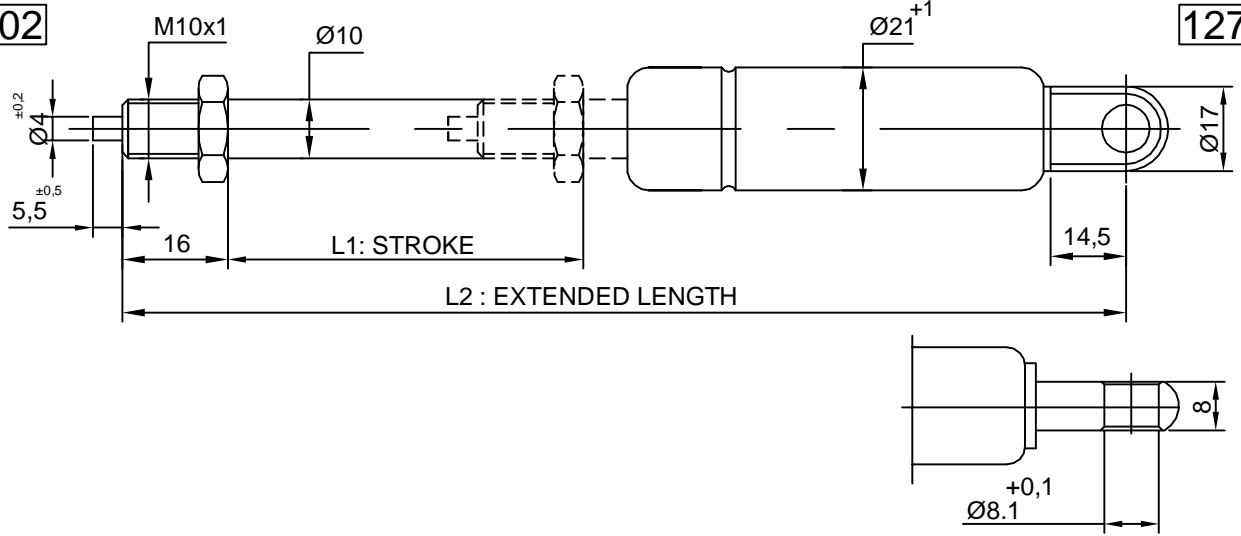
Ref.No.	F1 ( N )	L1 Stroke Strok	L2 Extended Lenght Açık Boy	L3 Closed Lenght Kapalı Boy
S1021B0201E	300	20	155	135
S1021B0202E	350			
S1021B0203E	400			
S1021B0204E	500			
S1021B0205E	600			
S1021B0206E	800			
S1021B0207E	1000			
S1021B0208E	1200			
S1021B0209E	250	25	160	135
S1021B0210E	300			
S1021B0211E	350			
S1021B0212E	400			
S1021B0213E	500			
S1021B0214E	600			
S1021B0215E	800			
S1021B0216E	1000			
S1021B0217E	1200	30	175	145
S1021B0218E	250			
S1021B0219E	300			
S1021B0220E	350			
S1021B0221E	400			
S1021B0222E	500			
S1021B0223E	600			
S1021B0224E	800			
S1021B0225E	1000	40	190	150
S1021B0226E	1200			
S1021B0227E	200			
S1021B0228E	250			
S1021B0229E	300			
S1021B0230E	350			
S1021B0231E	400			
S1021B0232E	500			
S1021B0233E	600			
S1021B0234E	800			
S1021B0235E	1000			
S1021B0236E	1200			

Ref.No.	F1 ( N )	L1 Stroke Strok	L2 Extended Lenght Açık Boy	L3 Closed Lenght Kapalı Boy
S1021B0237E	200	60	235	175
S1021B0238E	250			
S1021B0239E	300			
S1021B0240E	350			
S1021B0241E	400			
S1021B0242E	500			
S1021B0243E	600			
S1021B0244E	800			
S1021B0245E	1000	80	275	195
S1021B0246E	1200			
S1021B0247E	200			
S1021B0248E	250			
S1021B0249E	300			
S1021B0250E	350			
S1021B0251E	400			
S1021B0252E	500			
S1021B0253E	600	100	315	215
S1021B0254E	800			
S1021B0255E	1000			
S1021B0256E	1200			
S1021B0257E	200			
S1021B0258E	250			
S1021B0259E	300			
S1021B0260E	350			
S1021B0261E	400			
S1021B0262E	500			
S1021B0263E	600			
S1021B0264E	800			
S1021B0265E	1000			
S1021B0266E	1200			

## 10-21 ELASTIC BLOCK LIFT (SPRINGING ON 5mm EXTENSION)

6202

1272



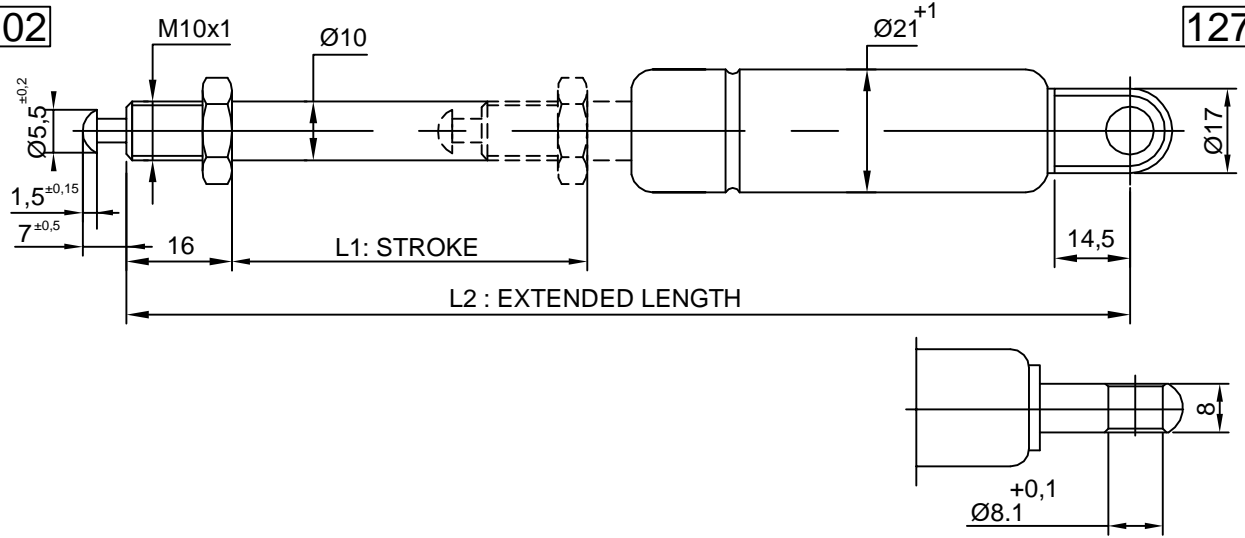
Ref.No.	F1 ( N )	L1 Stroke Strok	L2 Extended Lenght Açık Boy	L3 Closed Lenght Kapalı Boy
S1021B0267E	200	120	390	270
S1021B0268E	250			
S1021B0269E	300			
S1021B0270E	350			
S1021B0271E	400			
S1021B0272E	500			
S1021B0273E	600			
S1021B0274E	800			
S1021B0275E	1000			
S1021B0276E	1200			
S1021B0277E	200	160	435	275
S1021B0278E	250			
S1021B0279E	300			
S1021B0280E	350			
S1021B0281E	400			
S1021B0282E	500			
S1021B0283E	600			
S1021B0284E	800			
S1021B0285E	1000			
S1021B0286E	1200			

Ref.No.	F1 ( N )	L1 Stroke Strok	L2 Extended Lenght Açık Boy	L3 Closed Lenght Kapalı Boy
S1021B0287E	200	200	515	315
S1021B0288E	250			
S1021B0289E	300			
S1021B0290E	350			
S1021B0291E	400			
S1021B0292E	500			
S1021B0293E	600			
S1021B0294E	800			
S1021B0295E	1000			
S1021B0296E	1200			
S1021B0297E	200	250	615	365
S1021B0298E	250			
S1021B0299E	300			
S1021B0300E	350			
S1021B0301E	400			
S1021B0302E	500			
S1021B0303E	600			
S1021B0304E	800			
S1021B0305E	1000			
S1021B0306E	1200			

# 10-21 RIGID BLOCK LIFT (RIGID ON 5mm EXTENSION)

6102

1272



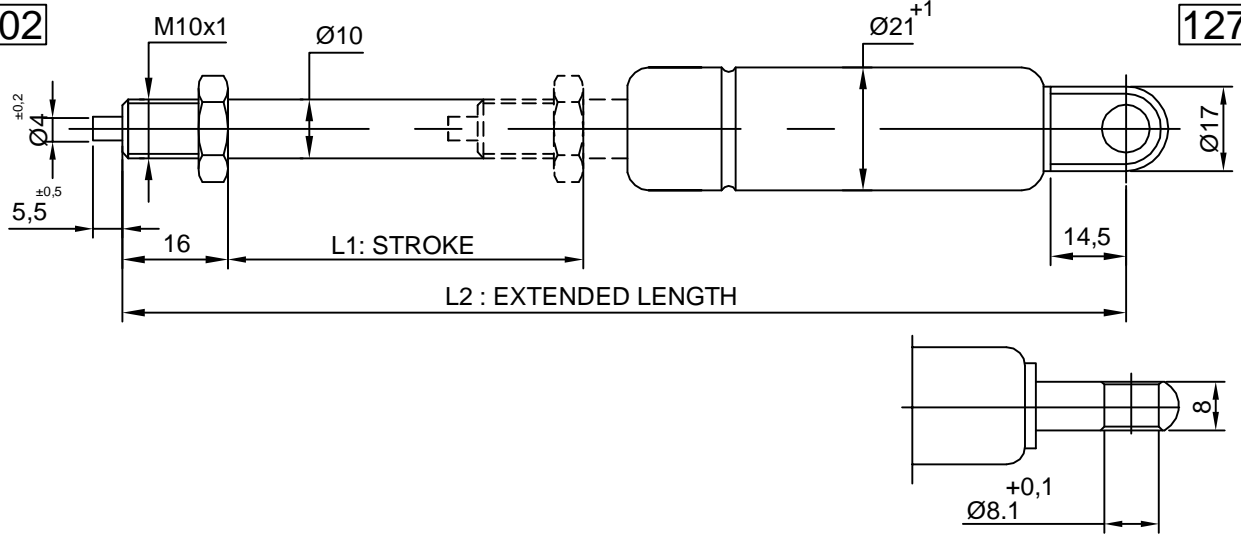
Ref.No.	F1 ( N )	L1 Stroke Strok	L2 Extended Lenght Açık Boy	L3 Closed Lenght Kapalı Boy
S1021B0001R	400	20	180	160
S1021B0002R	500			
S1021B0003R	600			
S1021B0004R	800			
S1021B0005R	1000			
S1021B0006R	1200			
S1021B0007R	400			
S1021B0008R	500	25	195	170
S1021B0009R	600			
S1021B0010R	800			
S1021B0011R	1000			
S1021B0012R	1200			
S1021B0013R	300	30	210	180
S1021B0014R	400			
S1021B0015R	500			
S1021B0016R	600			
S1021B0017R	800			
S1021B0018R	1000			
S1021B0019R	1200			
S1021B0020R	300	40	230	190
S1021B0021R	400			
S1021B0022R	500			
S1021B0023R	600			
S1021B0024R	800			
S1021B0025R	1000			
S1021B0026R	300			
S1021B0027R	400			
S1021B0028R	500			
S1021B0029R	600			
S1021B0030R	800			
S1021B0031R	1000			

Ref.No.	F1 ( N )	L1 Stroke Strok	L2 Extended Lenght Açık Boy	L3 Closed Lenght Kapalı Boy
S1021B0032R	200	80	330	250
S1021B0033R	300			
S1021B0034R	400			
S1021B0035R	500			
S1021B0036R	600			
S1021B0037R	800			
S1021B0038R	1000			
S1021B0039R	200	100	385	285
S1021B0040R	300			
S1021B0041R	400			
S1021B0042R	500			
S1021B0043R	600			
S1021B0044R	800	120	440	320
S1021B0045R	200			
S1021B0046R	300			
S1021B0047R	400			
S1021B0048R	500			
S1021B0049R	600			
S1021B0050R	800			
S1021B0051R	200	160	555	395
S1021B0052R	300			
S1021B0053R	400			
S1021B0054R	500			
S1021B0055R	600			
S1021B0056R	800			
S1021B0057R	200			
S1021B0058R	300			
S1021B0059R	400			
S1021B0060R	500			
S1021B0061R	600			
S1021B0062R	800			

# 10-21 RIGID BLOCK LIFT (RIGID ON 5mm EXTENSION)

6202

1272



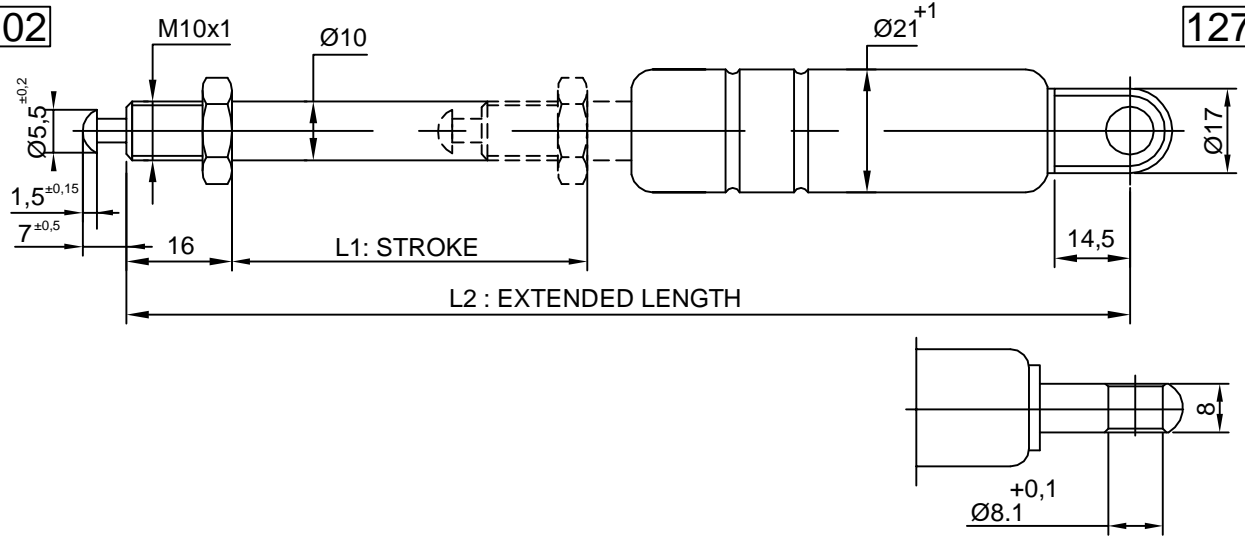
Ref.No.	F1 ( N )	L1 Stroke Strok	L2 Extended Lenght Açık Boy	L3 Closed Lenght Kapalı Boy
S1021B0101R	400	20	180	160
S1021B0102R	500			
S1021B0103R	600			
S1021B0104R	800			
S1021B0105R	1000			
S1021B0106R	1200			
S1021B0107R	400			
S1021B0108R	500	25	195	170
S1021B0109R	600			
S1021B0110R	800			
S1021B0111R	1000			
S1021B0112R	1200			
S1021B0113R	300	30	210	180
S1021B0114R	400			
S1021B0115R	500			
S1021B0116R	600			
S1021B0117R	800			
S1021B0118R	1000			
S1021B0119R	1200			
S1021B0120R	300			
S1021B0121R	400			
S1021B0122R	500			
S1021B0123R	600			
S1021B0124R	800			
S1021B0125R	1000			
S1021B0126R	300	60	280	220
S1021B0127R	400			
S1021B0128R	500			
S1021B0129R	600			
S1021B0130R	800			
S1021B0131R	1000			

Ref.No.	F1 ( N )	L1 Stroke Strok	L2 Extended Lenght Açık Boy	L3 Closed Lenght Kapalı Boy
S1021B0132R	200	80	330	250
S1021B0133R	300			
S1021B0134R	400			
S1021B0135R	500			
S1021B0136R	600			
S1021B0137R	800			
S1021B0138R	1000			
S1021B0139R	200	100	385	285
S1021B0140R	300			
S1021B0141R	400			
S1021B0142R	500			
S1021B0143R	600			
S1021B0144R	800	120	440	320
S1021B0145R	200			
S1021B0146R	300			
S1021B0147R	400			
S1021B0148R	500			
S1021B0149R	600			
S1021B0150R	800			
S1021B0151R	200	160	555	395
S1021B0152R	300			
S1021B0153R	400			
S1021B0154R	500			
S1021B0155R	600			
S1021B0156R	800			
S1021B0157R	200			
S1021B0158R	300			
S1021B0159R	400			
S1021B0160R	500			
S1021B0161R	600			
S1021B0162R	800			

# 10-21 RIGID BLOCK LIFT (RIGID ON 5mm COMPRESSION)

6102

1272



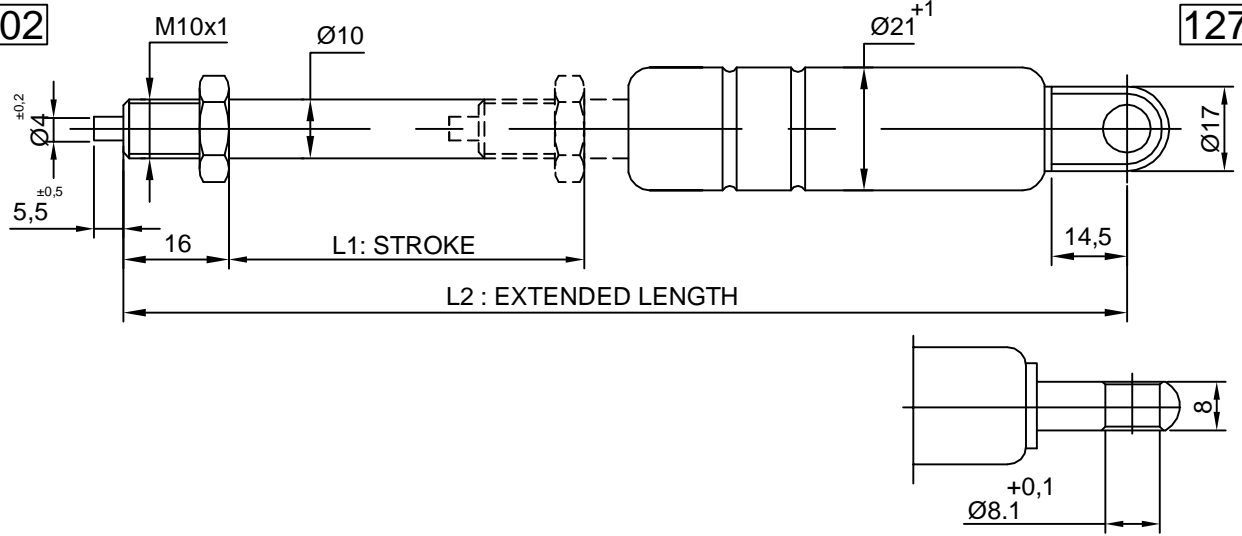
Ref.No.	F1 ( N )	L1 Stroke Strok	L2 Extended Lenght Açık Boy	L3 Closed Lenght Kapalı Boy
S1021B0201R	500	20	205	185
S1021B0202R	600			
S1021B0203R	800			
S1021B0204R	1000			
S1021B0205R	1200			
S1021B0206R	400	25	220	195
S1021B0207R	500			
S1021B0208R	600			
S1021B0209R	800			
S1021B0210R	1000			
S1021B0211R	1200	30	235	205
S1021B0212R	350			
S1021B0213R	400			
S1021B0214R	500			
S1021B0215R	600			
S1021B0216R	800			
S1021B0217R	1000			
S1021B0218R	1200			
S1021B0219R	350	40	255	215
S1021B0220R	400			
S1021B0221R	500			
S1021B0222R	600			
S1021B0223R	800			
S1021B0224R	1000			

Ref.No.	F1 ( N )	L1 Stroke Strok	L2 Extended Lenght Açık Boy	L3 Closed Lenght Kapalı Boy
S1021B0225R	200	80	365	285
S1021B0226R	250			
S1021B0227R	300			
S1021B0228R	350			
S1021B0229R	400			
S1021B0230R	500			
S1021B0231R	600			
S1021B0232R	800	100	420	320
S1021B0233R	1000			
S1021B0234R	200			
S1021B0235R	250			
S1021B0236R	300			
S1021B0237R	350			
S1021B0238R	400			
S1021B0239R	500	120	485	365
S1021B0240R	600			
S1021B0241R	800			
S1021B0242R	1000			
S1021B0243R	200			
S1021B0244R	250			
S1021B0245R	300			
S1021B0246R	350			
S1021B0247R	400			
S1021B0248R	500			
S1021B0249R	600			
S1021B0250R	800			
S1021B0251R	1000			

# 10-21 RIGID BLOCK LIFT (RIGID ON 5mm COMPRESSION)

6202

1272



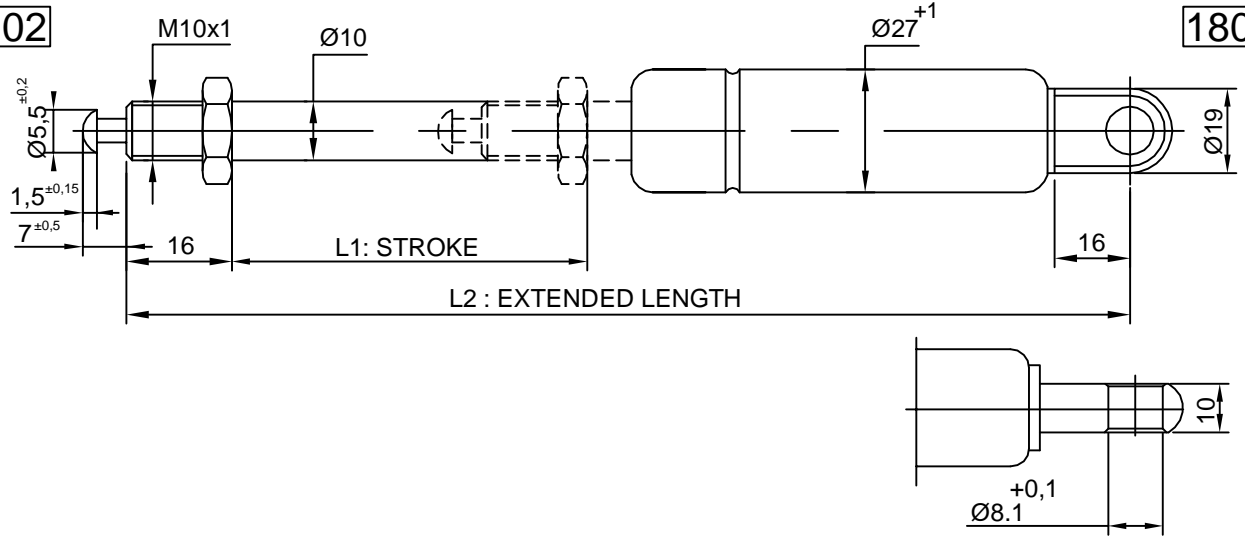
Ref.No.	F1 ( N )	L1 Stroke Strok	L2 Extended Lenght Açık Boy	L3 Closed Lenght Kapalı Boy
S1021B0301R	500	20	205	185
S1021B0302R	600			
S1021B0303R	800			
S1021B0304R	1000			
S1021B0305R	1200			
S1021B0306R	400	25	220	195
S1021B0307R	500			
S1021B0308R	600			
S1021B0309R	800			
S1021B0310R	1000			
S1021B0311R	1200	30	235	205
S1021B0312R	350			
S1021B0313R	400			
S1021B0314R	500			
S1021B0315R	600			
S1021B0316R	800			
S1021B0317R	1000			
S1021B0318R	1200			
S1021B0319R	350	40	255	215
S1021B0320R	400			
S1021B0321R	500			
S1021B0322R	600			
S1021B0323R	800			
S1021B0324R	1000			

Ref.No.	F1 ( N )	L1 Stroke Strok	L2 Extended Lenght Açık Boy	L3 Closed Lenght Kapalı Boy
S1021B0325R	200	80	365	285
S1021B0326R	250			
S1021B0327R	300			
S1021B0328R	350			
S1021B0329R	400			
S1021B0330R	500			
S1021B0331R	600			
S1021B0332R	800	100	415	315
S1021B0333R	1000			
S1021B0334R	200			
S1021B0335R	250			
S1021B0336R	300			
S1021B0337R	350			
S1021B0338R	400			
S1021B0339R	500	120	485	365
S1021B0340R	600			
S1021B0341R	800			
S1021B0342R	1000			
S1021B0343R	200			
S1021B0344R	250			
S1021B0345R	300			
S1021B0346R	350			
S1021B0347R	400			
S1021B0348R	500			
S1021B0349R	600			
S1021B0350R	800			
S1021B0351R	1000			

## 10-27 ELASTIC BLOCK LIFT (SPRINGING ON 5mm EXTENSION)

6102

1801



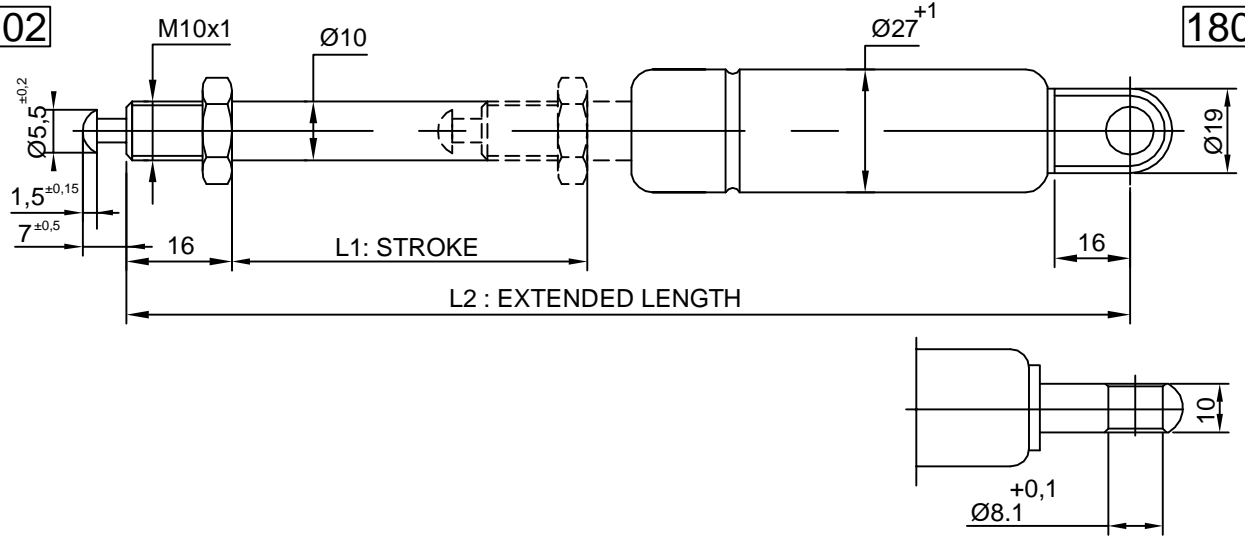
Ref.No.	F1 ( N )	L1 Stroke Strok	L2 Extended Lenght Açık Boy	L3 Closed Lenght Kapalı Boy
S1027B0001E	300	20	155	135
S1027B0002E	350			
S1027B0003E	400			
S1027B0004E	500			
S1027B0005E	600			
S1027B0006E	800			
S1027B0007E	1000			
S1027B0008E	1200			
S1027B0009E	250			
S1027B0010E	300			
S1027B0011E	350			
S1027B0012E	400			
S1027B0013E	500			
S1027B0014E	600			
S1027B0015E	800			
S1027B0016E	1000			
S1027B0017E	1200	30	175	145
S1027B0018E	250			
S1027B0019E	300			
S1027B0020E	350			
S1027B0021E	400			
S1027B0022E	500			
S1027B0023E	600			
S1027B0024E	800			
S1027B0025E	1000			
S1027B0026E	1200			
S1027B0027E	200			
S1027B0028E	250			
S1027B0029E	300			
S1027B0030E	350			
S1027B0031E	400			
S1027B0032E	500			
S1027B0033E	600			
S1027B0034E	800			
S1027B0035E	1000			
S1027B0036E	1200			

Ref.No.	F1 ( N )	L1 Stroke Strok	L2 Extended Lenght Açık Boy	L3 Closed Lenght Kapalı Boy
S1027B0037E	200	60	235	175
S1027B0038E	250			
S1027B0039E	300			
S1027B0040E	350			
S1027B0041E	400			
S1027B0042E	500			
S1027B0043E	600			
S1027B0044E	800			
S1027B0045E	1000			
S1027B0046E	1200			
S1027B0047E	200			
S1027B0048E	250			
S1027B0049E	300			
S1027B0050E	350			
S1027B0051E	400			
S1027B0052E	500			
S1027B0053E	600	100	315	215
S1027B0054E	800			
S1027B0055E	1000			
S1027B0056E	1200			
S1027B0057E	200			
S1027B0058E	250			
S1027B0059E	300			
S1027B0060E	350			
S1027B0061E	400			
S1027B0062E	500			
S1027B0063E	600			
S1027B0064E	800			
S1027B0065E	1000			
S1027B0066E	1200			

## 10-27 ELASTIC BLOCK LIFT (SPRINGING ON 5mm EXTENSION)

6102

1801

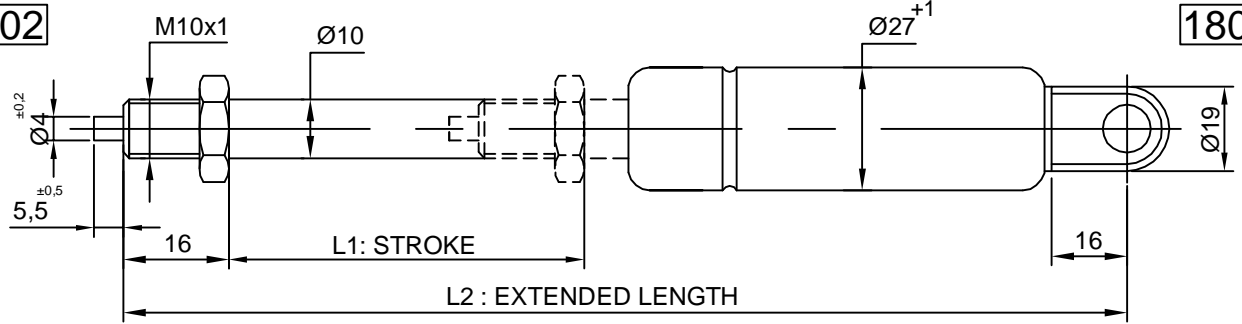


Ref.No.	F1 ( N )	L1 Stroke Strok	L2 Extended Lenght Açık Boy	L3 Closed Lenght Kapalı Boy
S1027B0067E	200	120	390	270
S1027B0068E	250			
S1027B0069E	300			
S1027B0070E	350			
S1027B0071E	400			
S1027B0072E	500			
S1027B0073E	600			
S1027B0074E	800			
S1027B0075E	1000			
S1027B0076E	1200			
S1027B0077E	200	160	435	275
S1027B0078E	250			
S1027B0079E	300			
S1027B0080E	350			
S1027B0081E	400			
S1027B0082E	500			
S1027B0083E	600			
S1027B0084E	800			
S1027B0085E	1000			
S1027B0086E	1200			

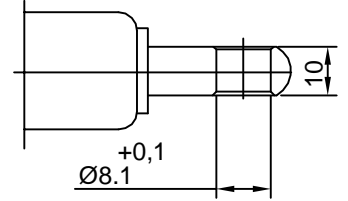
Ref.No.	F1 ( N )	L1 Stroke Strok	L2 Extended Lenght Açık Boy	L3 Closed Lenght Kapalı Boy
S1027B0087E	200	200	515	315
S1027B0088E	250			
S1027B0089E	300			
S1027B0090E	350			
S1027B0091E	400			
S1027B0092E	500			
S1027B0093E	600			
S1027B0094E	800			
S1027B0095E	1000			
S1027B0096E	1200			
S1027B0097E	200	250	615	365
S1027B0098E	250			
S1027B0099E	300			
S1027B0100E	350			
S1027B0101E	400			
S1027B0102E	500			
S1027B0103E	600			
S1027B0104E	800			
S1027B0105E	1000			
S1027B0106E	1200			

## 10-27 ELASTIC BLOCK LIFT (SPRINGING ON 5mm EXTENSION)

6202



1801



Ref.No.	F1 ( N )	L1 Stroke Strok	L2 Extended Lenght Açık Boy	L3 Closed Lenght Kapalı Boy
S1027B0201E	300	20	155	135
S1027B0202E	350			
S1027B0203E	400			
S1027B0204E	500			
S1027B0205E	600			
S1027B0206E	800			
S1027B0207E	1000			
S1027B0208E	1200			
S1027B0209E	250	25	160	135
S1027B0210E	300			
S1027B0211E	350			
S1027B0212E	400			
S1027B0213E	500			
S1027B0214E	600			
S1027B0215E	800			
S1027B0216E	1000			
S1027B0217E	1200	30	175	145
S1027B0218E	250			
S1027B0219E	300			
S1027B0220E	350			
S1027B0221E	400			
S1027B0222E	500			
S1027B0223E	600			
S1027B0224E	800			
S1027B0225E	1000	40	190	150
S1027B0226E	1200			
S1027B0227E	200			
S1027B0228E	250			
S1027B0229E	300			
S1027B0230E	350			
S1027B0231E	400			
S1027B0232E	500			
S1027B0233E	600			
S1027B0234E	800			
S1027B0235E	1000			
S1027B0236E	1200			

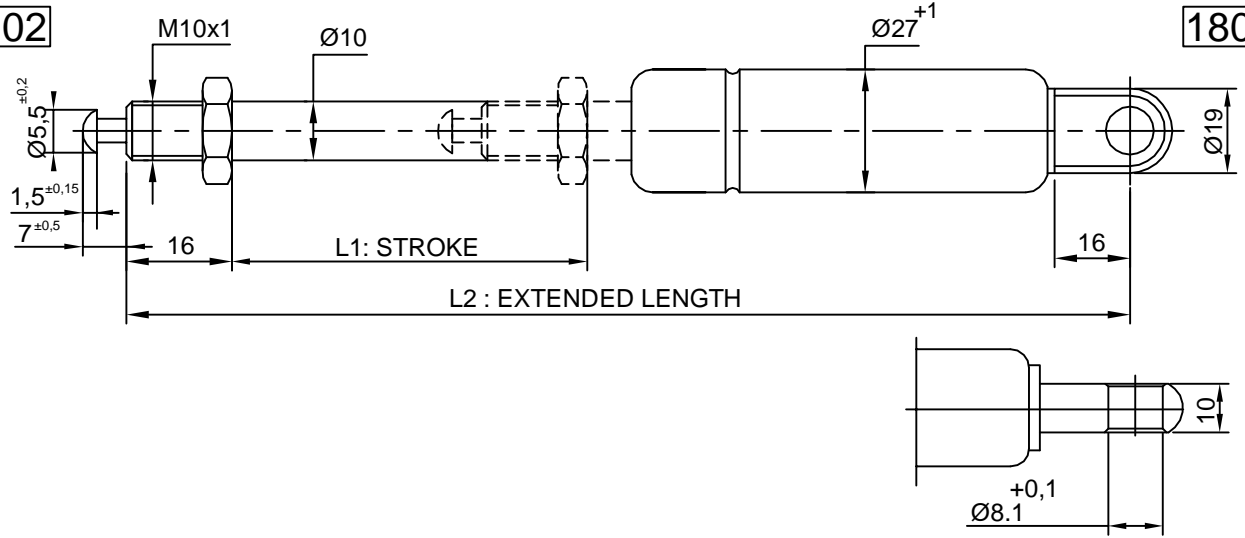
Ref.No.	F1 ( N )	L1 Stroke Strok	L2 Extended Lenght Açık Boy	L3 Closed Lenght Kapalı Boy
S1027B0237E	200	60	235	175
S1027B0238E	250			
S1027B0239E	300			
S1027B0240E	350			
S1027B0241E	400			
S1027B0242E	500			
S1027B0243E	600			
S1027B0244E	800			
S1027B0245E	1000	80	275	195
S1027B0246E	1200			
S1027B0247E	200			
S1027B0248E	250			
S1027B0249E	300			
S1027B0250E	350			
S1027B0251E	400			
S1027B0252E	500			
S1027B0253E	600	100	315	215
S1027B0254E	800			
S1027B0255E	1000			
S1027B0256E	1200			
S1027B0257E	200			
S1027B0258E	250			
S1027B0259E	300			
S1027B0260E	350			
S1027B0261E	400			
S1027B0262E	500			
S1027B0263E	600			
S1027B0264E	800			
S1027B0265E	1000			
S1027B0266E	1200			



## 10-27 ELASTIC BLOCK LIFT (SPRINGING ON 1mm EXTENSION)

6102

1801



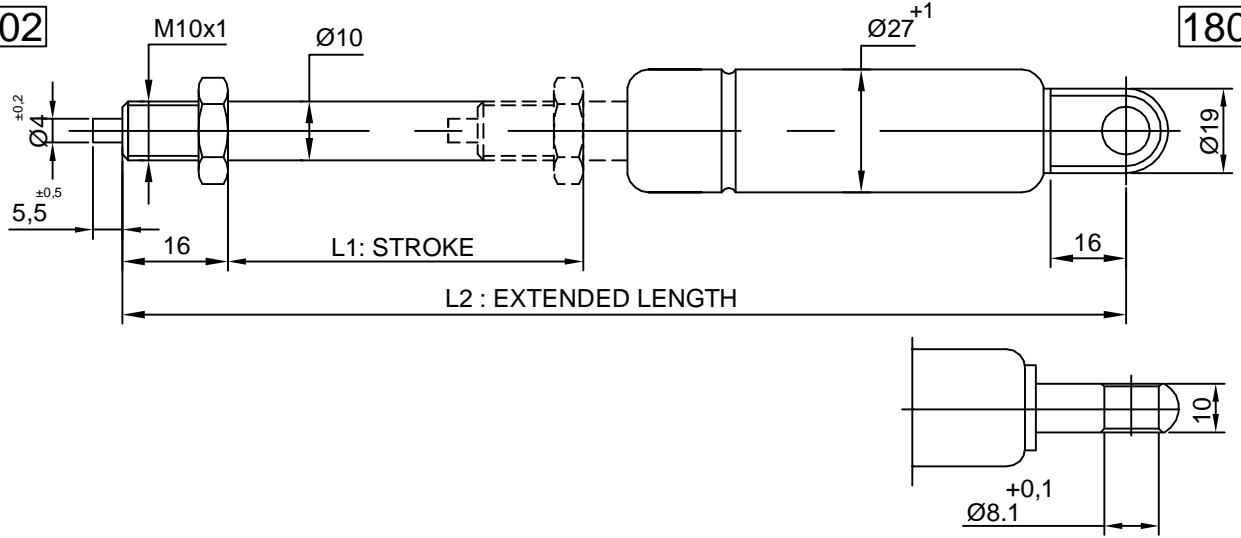
Ref.No.	F1 ( N )	L1 Stroke Strok	L2 Extended Lenght Açık Boy	L3 Closed Lenght Kapalı Boy
S1027B0401E	300	20	155	135
S1027B0402E	350			
S1027B0403E	400			
S1027B0404E	500			
S1027B0405E	600			
S1027B0406E	800			
S1027B0407E	1000			
S1027B0408E	1200			
S1027B0409E	250			
S1027B0410E	300			
S1027B0411E	350			
S1027B0412E	400			
S1027B0413E	500			
S1027B0414E	600			
S1027B0415E	800			
S1027B0416E	1000			
S1027B0417E	1200	30	175	145
S1027B0418E	250			
S1027B0419E	300			
S1027B0420E	350			
S1027B0421E	400			
S1027B0422E	500			
S1027B0423E	600			
S1027B0424E	800			
S1027B0425E	1000			
S1027B0426E	1200			
S1027B0427E	200			
S1027B0428E	250			
S1027B0429E	300			
S1027B0430E	350			
S1027B0431E	400			
S1027B0432E	500			
S1027B0433E	600			
S1027B0434E	800			
S1027B0435E	1000			
S1027B0436E	1200			

Ref.No.	F1 ( N )	L1 Stroke Strok	L2 Extended Lenght Açık Boy	L3 Closed Lenght Kapalı Boy
S1027B0437E	200	60	235	175
S1027B0438E	250			
S1027B0439E	300			
S1027B0440E	350			
S1027B0441E	400			
S1027B0442E	500			
S1027B0443E	600			
S1027B0444E	800			
S1027B0445E	1000			
S1027B0446E	1200			
S1027B0447E	200			
S1027B0448E	250			
S1027B0449E	300			
S1027B0450E	350			
S1027B0451E	400			
S1027B0452E	500			
S1027B0453E	600	200	515	315
S1027B0454E	800			
S1027B0455E	1000			
S1027B0456E	1200			
S1027B0457E	200			
S1027B0458E	250			
S1027B0459E	300			
S1027B0460E	350			
S1027B0461E	400			
S1027B0462E	500			
S1027B0463E	600			
S1027B0464E	800			
S1027B0465E	1000			
S1027B0466E	1200			

## 10-27 ELASTIC BLOCK LIFT (SPRINGING ON 1mm EXTENSION)

6202

1801

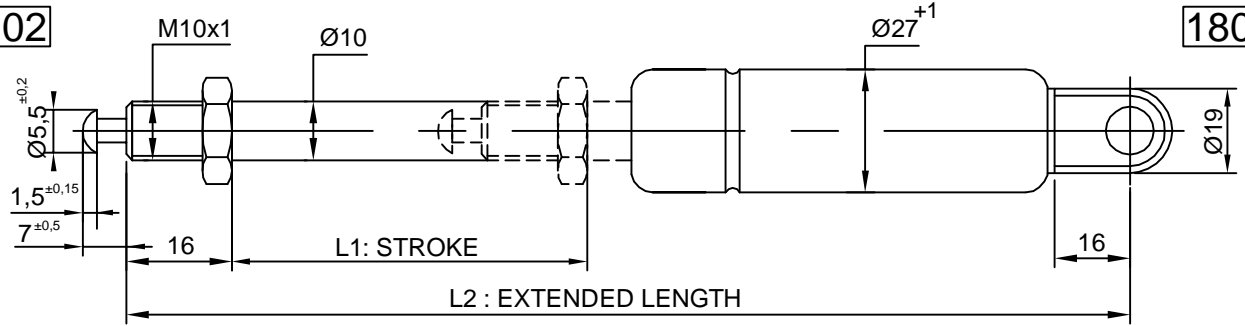


Ref.No.	F1 ( N )	L1 Stroke Strok	L2 Extended Lenght Açık Boy	L3 Closed Lenght Kapalı Boy
S1027B0501E	300	20	155	135
S1027B0502E	350			
S1027B0503E	400			
S1027B0504E	500			
S1027B0505E	600			
S1027B0506E	800			
S1027B0507E	1000			
S1027B0508E	1200			
S1027B0509E	250			
S1027B0510E	300			
S1027B0511E	350			
S1027B0512E	400			
S1027B0513E	500			
S1027B0514E	600			
S1027B0515E	800			
S1027B0516E	1000			
S1027B0517E	1200	30	175	145
S1027B0518E	250			
S1027B0519E	300			
S1027B0520E	350			
S1027B0521E	400			
S1027B0522E	500			
S1027B0523E	600			
S1027B0524E	800			
S1027B0525E	1000			
S1027B0526E	1200			
S1027B0527E	200			
S1027B0528E	250			
S1027B0529E	300			
S1027B0530E	350			
S1027B0531E	400			
S1027B0532E	500			
S1027B0533E	600			
S1027B0534E	800			
S1027B0535E	1000			
S1027B0536E	1200			

Ref.No.	F1 ( N )	L1 Stroke Strok	L2 Extended Lenght Açık Boy	L3 Closed Lenght Kapalı Boy
S1027B0537E	200	60	235	175
S1027B0538E	250			
S1027B0539E	300			
S1027B0540E	350			
S1027B0541E	400			
S1027B0542E	500			
S1027B0543E	600			
S1027B0544E	800			
S1027B0545E	1000			
S1027B0546E	1200			
S1027B0547E	200			
S1027B0548E	250			
S1027B0549E	300			
S1027B0550E	350			
S1027B0551E	400			
S1027B0552E	500			
S1027B0553E	600	200	515	315
S1027B0554E	800			
S1027B0555E	1000			
S1027B0556E	1200			
S1027B0557E	200			
S1027B0558E	250			
S1027B0559E	300			
S1027B0560E	350			
S1027B0561E	400			
S1027B0562E	500			
S1027B0563E	600			
S1027B0564E	800			
S1027B0565E	1000			
S1027B0566E	1200			

# 10-27 RIGID BLOCK LIFT (RIGID ON 5mm EXTENSION)

6102



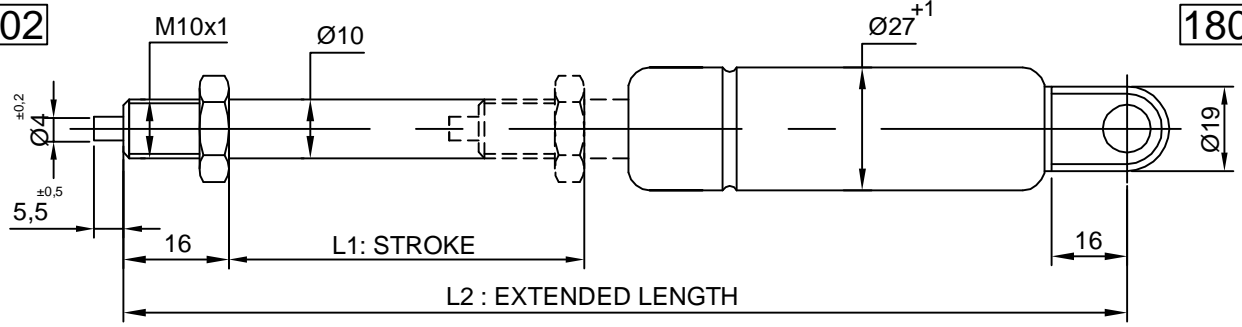
1801

Ref.No.	F1 ( N )	L1 Stroke Strok	L2 Extended Lenght Açık Boy	L3 Closed Lenght Kapalı Boy			
S1027B0001R	400	20	180	160			
S1027B0002R	500						
S1027B0003R	600						
S1027B0004R	800						
S1027B0005R	1000						
S1027B0006R	1200						
S1027B0007R	400				25	195	170
S1027B0008R	500						
S1027B0009R	600						
S1027B0010R	800						
S1027B0011R	1000						
S1027B0012R	1200	30	210	180			
S1027B0013R	300						
S1027B0014R	400						
S1027B0015R	500						
S1027B0016R	600						
S1027B0017R	800						
S1027B0018R	1000						
S1027B0019R	1200						
S1027B0020R	300				40	230	190
S1027B0021R	400						
S1027B0022R	500						
S1027B0023R	600						
S1027B0024R	800						
S1027B0025R	1000						
S1027B0026R	300	60	280	220			
S1027B0027R	400						
S1027B0028R	500						
S1027B0029R	600						
S1027B0030R	800						
S1027B0031R	1000						

Ref.No.	F1 ( N )	L1 Stroke Strok	L2 Extended Lenght Açık Boy	L3 Closed Lenght Kapalı Boy			
S1027B0032R	200	80	325	245			
S1027B0033R	300						
S1027B0034R	400						
S1027B0035R	500						
S1027B0036R	600						
S1027B0037R	800						
S1027B0038R	1000				100	385	285
S1027B0039R	200						
S1027B0040R	300						
S1027B0041R	400						
S1027B0042R	500	120	435	315			
S1027B0043R	600						
S1027B0044R	800						
S1027B0045R	200						
S1027B0046R	300						
S1027B0047R	400						
S1027B0048R	500						
S1027B0049R	600						
S1027B0050R	800				160	525	365
S1027B0051R	200						
S1027B0052R	300						
S1027B0053R	400						
S1027B0054R	500						
S1027B0055R	600						
S1027B0056R	800	200	615	415			
S1027B0057R	200						
S1027B0058R	300						
S1027B0059R	400						
S1027B0060R	500						
S1027B0061R	600						
S1027B0062R	800						

## 10-27 RIGID BLOCK LIFT (RIGID ON 5mm EXTENSION)

6202



1801

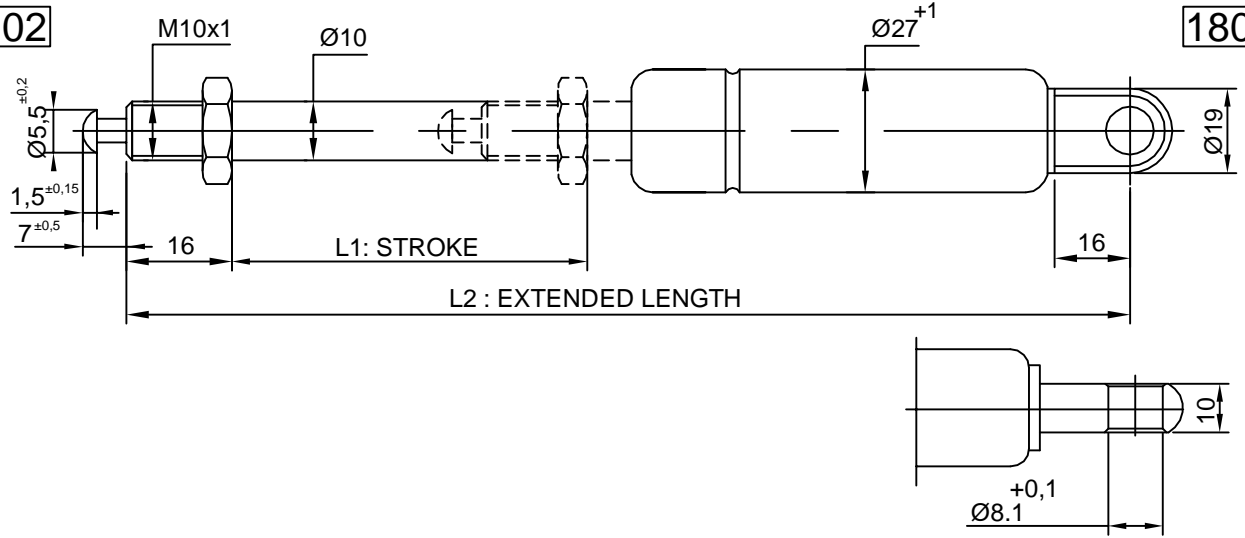
Ref.No.	F1 ( N )	L1 Stroke Strok	L2 Extended Lenght Açık Boy	L3 Closed Lenght Kapalı Boy
S1027B0101R	400	20	180	160
S1027B0102R	500			
S1027B0103R	600			
S1027B0104R	800			
S1027B0105R	1000			
S1027B0106R	1200			
S1027B0107R	400	25	195	170
S1027B0108R	500			
S1027B0109R	600			
S1027B0110R	800			
S1027B0111R	1000			
S1027B0112R	1200			
S1027B0113R	300	30	210	180
S1027B0114R	400			
S1027B0115R	500			
S1027B0116R	600			
S1027B0117R	800			
S1027B0118R	1000			
S1027B0119R	1200	40	230	190
S1027B0120R	300			
S1027B0121R	400			
S1027B0122R	500			
S1027B0123R	600			
S1027B0124R	800			
S1027B0125R	1000	60	280	220
S1027B0126R	300			
S1027B0127R	400			
S1027B0128R	500			
S1027B0129R	600			
S1027B0130R	800			
S1027B0131R	1000			

Ref.No.	F1 ( N )	L1 Stroke Strok	L2 Extended Lenght Açık Boy	L3 Closed Lenght Kapalı Boy
S1027B0132R	200	80	325	245
S1027B0133R	300			
S1027B0134R	400			
S1027B0135R	500			
S1027B0136R	600			
S1027B0137R	800			
S1027B0138R	1000	100	385	285
S1027B0139R	200			
S1027B0140R	300			
S1027B0141R	400			
S1027B0142R	500			
S1027B0143R	600			
S1027B0144R	800	120	435	315
S1027B0145R	200			
S1027B0146R	300			
S1027B0147R	400			
S1027B0148R	500			
S1027B0149R	600			
S1027B0150R	800	160	525	365
S1027B0151R	200			
S1027B0152R	300			
S1027B0153R	400			
S1027B0154R	500			
S1027B0155R	600			
S1027B0156R	800	200	615	415
S1027B0157R	200			
S1027B0158R	300			
S1027B0159R	400			
S1027B0160R	500			
S1027B0161R	600			
S1027B0162R	800			

## 10-27 RIGID BLOCK LIFT (RIGID ON 1mm EXTENSION)

6102

1801



Ref.No.	F1 ( N )	L1 Stroke Strok	L2 Extended Lenght Açık Boy	L3 Closed Lenght Kapalı Boy
S1027B0201R	400	20	180	160
S1027B0202R	500			
S1027B0203R	600			
S1027B0204R	800			
S1027B0205R	1000			
S1027B0206R	1200			
S1027B0207R	400	25	195	170
S1027B0208R	500			
S1027B0209R	600			
S1027B0210R	800			
S1027B0211R	1000			
S1027B0212R	1200			
S1027B0213R	300	30	210	180
S1027B0214R	400			
S1027B0215R	500			
S1027B0216R	600			
S1027B0217R	800			
S1027B0218R	1000			
S1027B0219R	1200	40	230	190
S1027B0220R	300			
S1027B0221R	400			
S1027B0222R	500			
S1027B0223R	600			
S1027B0224R	800			
S1027B0225R	1000	60	280	220
S1027B0226R	300			
S1027B0227R	400			
S1027B0228R	500			
S1027B0229R	600			
S1027B0230R	800			
S1027B0231R	1000			

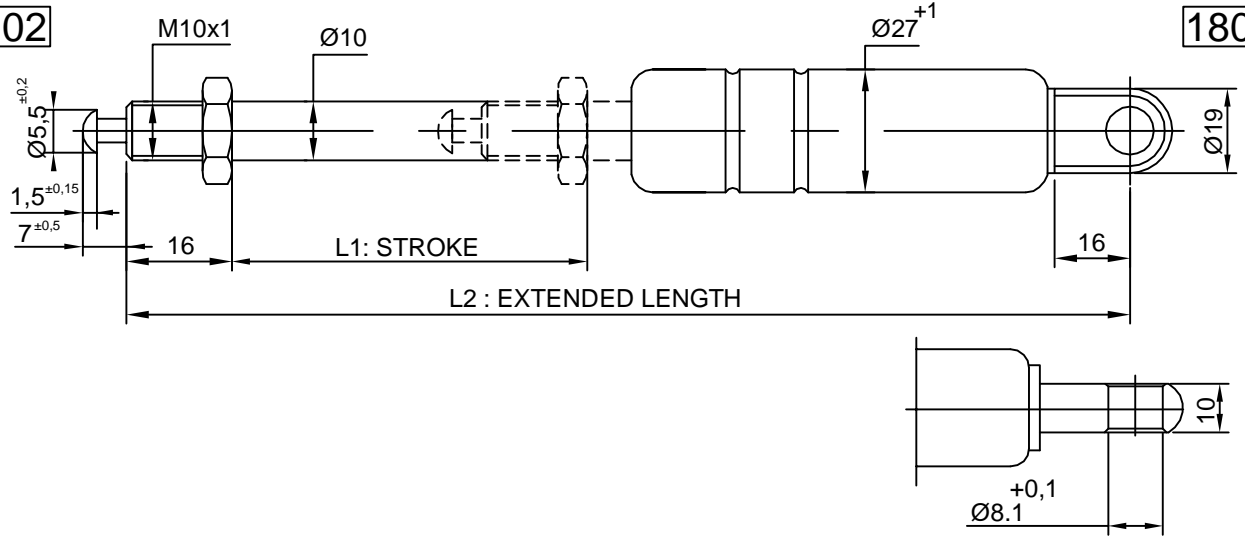
Ref.No.	F1 ( N )	L1 Stroke Strok	L2 Extended Lenght Açık Boy	L3 Closed Lenght Kapalı Boy
S1027B0232R	200	80	325	245
S1027B0233R	300			
S1027B0234R	400			
S1027B0235R	500			
S1027B0236R	600			
S1027B0237R	800			
S1027B0238R	1000	100	385	285
S1027B0239R	200			
S1027B0240R	300			
S1027B0241R	400			
S1027B0242R	500			
S1027B0243R	600			
S1027B0244R	800	120	435	315
S1027B0245R	200			
S1027B0246R	300			
S1027B0247R	400			
S1027B0248R	500			
S1027B0249R	600			
S1027B0250R	800	160	525	365
S1027B0251R	200			
S1027B0252R	300			
S1027B0253R	400			
S1027B0254R	500			
S1027B0255R	600			
S1027B0256R	800	200	615	415
S1027B0257R	200			
S1027B0258R	300			
S1027B0259R	400			
S1027B0260R	500			
S1027B0261R	600			
S1027B0262R	800			



# 10-27 RIGID BLOCK LIFT (RIGID ON 5mm COMPRESSION)

6102

1801

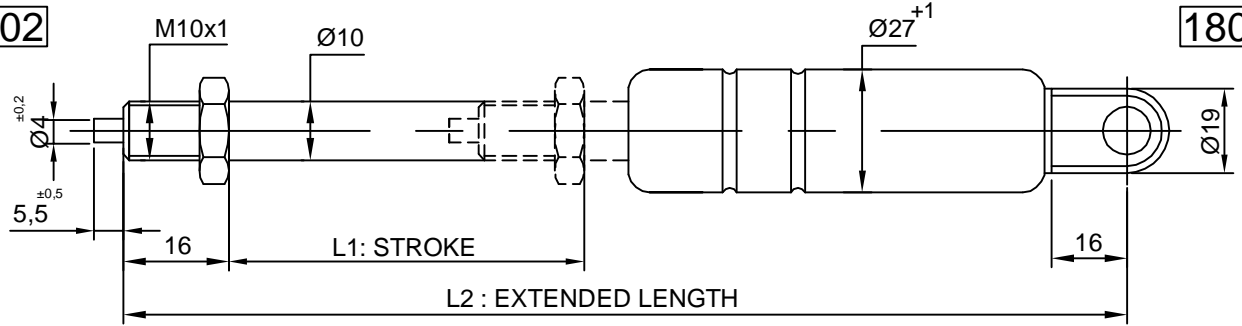


Ref.No.	F1 ( N )	L1 Stroke Strok	L2 Extended Lenght Açık Boy	L3 Closed Lenght Kapalı Boy
S1027B0401R	500	20	205	185
S1027B0402R	600			
S1027B0403R	800			
S1027B0404R	1000			
S1027B0405R	1200			
S1027B0406R	400	25	220	195
S1027B0407R	500			
S1027B0408R	600			
S1027B0409R	800			
S1027B0410R	1000			
S1027B0411R	1200	30	235	205
S1027B0412R	350			
S1027B0413R	400			
S1027B0414R	500			
S1027B0415R	600			
S1027B0416R	800			
S1027B0417R	1000			
S1027B0418R	1200			
S1027B0419R	350	40	255	215
S1027B0420R	400			
S1027B0421R	500			
S1027B0422R	600			
S1027B0423R	800			
S1027B0424R	1000			

Ref.No.	F1 ( N )	L1 Stroke Strok	L2 Extended Lenght Açık Boy	L3 Closed Lenght Kapalı Boy
S1027B0425R	200	80	365	285
S1027B0426R	250			
S1027B0427R	300			
S1027B0428R	350			
S1027B0429R	400			
S1027B0430R	500			
S1027B0431R	600			
S1027B0432R	800	100	415	315
S1027B0433R	1000			
S1027B0434R	200			
S1027B0435R	250			
S1027B0436R	300			
S1027B0437R	350			
S1027B0438R	400			
S1027B0439R	500	120	465	345
S1027B0440R	600			
S1027B0441R	800			
S1027B0442R	1000			
S1027B0443R	200			
S1027B0444R	250			
S1027B0445R	300			
S1027B0446R	350			
S1027B0447R	400			
S1027B0448R	500			
S1027B0449R	600			
S1027B0450R	800			
S1027B0451R	1000			

## 10-27 RIGID BLOCK LIFT (RIGID ON 5mm COMPRESSION)

6202



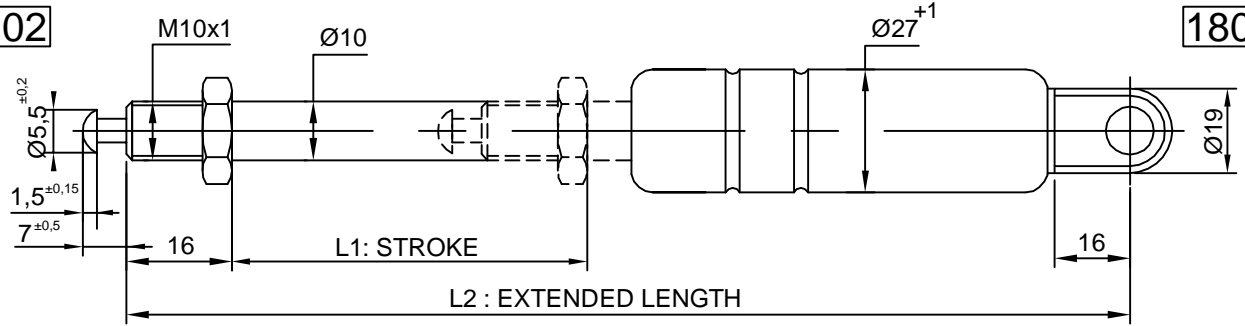
1801

Ref.No.	F1 ( N )	L1 Stroke Strok	L2 Extended Lenght Açık Boy	L3 Closed Lenght Kapalı Boy
S1027B0501R	500	20	205	185
S1027B0502R	600			
S1027B0503R	800			
S1027B0504R	1000			
S1027B0505R	1200			
S1027B0506R	400	25	220	195
S1027B0507R	500			
S1027B0508R	600			
S1027B0509R	800			
S1027B0510R	1000			
S1027B0511R	1200	30	235	205
S1027B0512R	350			
S1027B0513R	400			
S1027B0514R	500			
S1027B0515R	600			
S1027B0516R	800			
S1027B0517R	1000			
S1027B0518R	1200			
S1027B0519R	350	40	255	215
S1027B0520R	400			
S1027B0521R	500			
S1027B0522R	600			
S1027B0523R	800			
S1027B0524R	1000			

Ref.No.	F1 ( N )	L1 Stroke Strok	L2 Extended Lenght Açık Boy	L3 Closed Lenght Kapalı Boy
S1027B0525R	200	80	365	285
S1027B0526R	250			
S1027B0527R	300			
S1027B0528R	350			
S1027B0529R	400			
S1027B0530R	500			
S1027B0531R	600			
S1027B0532R	800	100	415	315
S1027B0533R	1000			
S1027B0534R	200			
S1027B0535R	250			
S1027B0536R	300			
S1027B0537R	350			
S1027B0538R	400			
S1027B0539R	500	120	465	345
S1027B0540R	600			
S1027B0541R	800			
S1027B0542R	1000			
S1027B0543R	200			
S1027B0544R	250			
S1027B0545R	300			
S1027B0546R	350			
S1027B0547R	400			
S1027B0548R	500			
S1027B0549R	600			
S1027B0550R	800			
S1027B0551R	1000			

## 10-27 RIGID BLOCK LIFT (RIGID ON 1mm COMPRESSION)

6102



1801

Ref.No.	F1 ( N )	L1 Stroke Strok	L2 Extended Lenght Açık Boy	L3 Closed Lenght Kapalı Boy
S1027B0601R	500	20	205	185
S1027B0602R	600			
S1027B0603R	800			
S1027B0604R	1000			
S1027B0605R	1200			
S1027B0606R	400	25	220	195
S1027B0607R	500			
S1027B0608R	600			
S1027B0609R	800			
S1027B0610R	1000			
S1027B0611R	1200	30	235	205
S1027B0612R	350			
S1027B0613R	400			
S1027B0614R	500			
S1027B0615R	600			
S1027B0616R	800			
S1027B0617R	1000			
S1027B0618R	1200			
S1027B0619R	350	40	255	215
S1027B0620R	400			
S1027B0621R	500			
S1027B0622R	600			
S1027B0623R	800			
S1027B0624R	1000			

